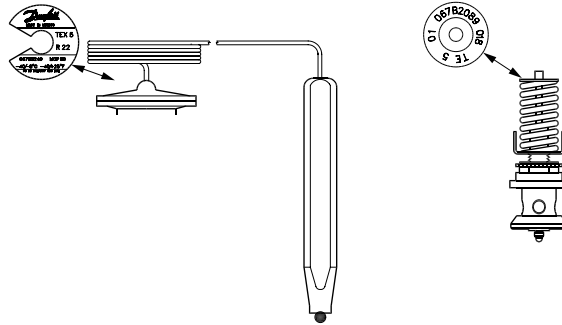
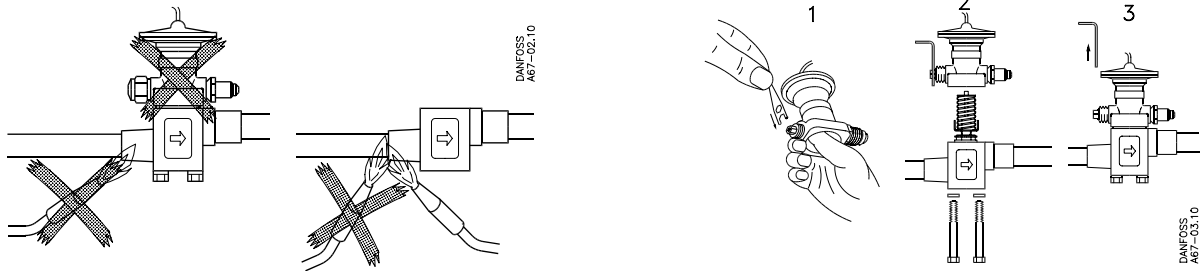


067R9504

067R9504

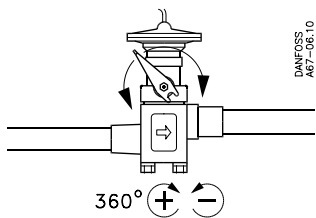
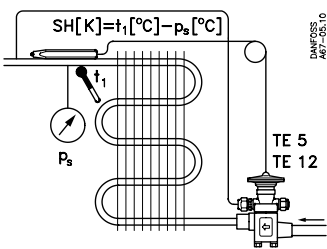
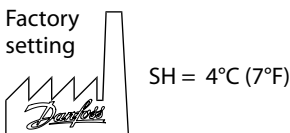
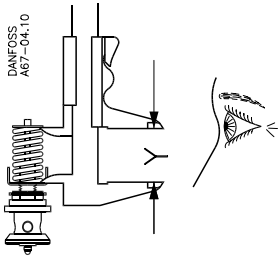


DANFOSS
A67-01.10



DANFOSS
A67-02.10

DANFOSS
A67-03.10



TE5, TE12: $\begin{cases} N \sim 0.5^\circ\text{C} (1^\circ\text{F}) \text{SH} \\ B \sim 1.5^\circ\text{C} (3^\circ\text{F}) \text{SH} \end{cases}$
TE20, TE55: $\begin{cases} N \sim 0.5^\circ\text{C} (1^\circ\text{F}) \text{SH} \\ B \sim 1.0^\circ\text{C} (2^\circ\text{F}) \text{SH} \end{cases}$

Range N = $-40^\circ\text{C} \rightarrow +10^\circ\text{C}$ ($-40^\circ\text{F} \rightarrow +50^\circ\text{F}$)
Range B = $-60^\circ\text{C} \rightarrow -25^\circ\text{C}$ ($-75^\circ\text{F} \rightarrow -15^\circ\text{F}$)

TE 5

Orifice no.	Orifice code no.	Y = ±1 mm							
		R22 Range		R134a Range	R404A Range		R12 Range	R502 Range	
		N	B	N	N	B	N	N	B
01	067B2089	26	26	27	27.5	27.5	28	26	26
02	067B2090	26	26	27	27.5	27.5	28	26	26
03	067B2091	26	26	27	27.5	27.5	28	26	26
04	067B2092	26	26	27	27.5	27.5	28	26	26

TE 12

Orifice no.	Orifice code no.	Y = ±1 mm							
		R22 Range		R134a Range	R404A Range		R12 Range	R502 Range	
		N	B	N	N	B	N	N	B
01	067B2005	35	35	35	36	36	36	32	32
02	067B2006	35	35	35	36	36	36	32	32
03	067B2007	35	35	35	36	36	36	32	32
04	067B2008	35	35	35	36	36	36	32	32

TE 20

Orifice no.	Orifice code no.	Y = ±1 mm							
		R22 Range		R134a Range	R404A Range		R12 Range	R502 Range	
		N	B	N	N	B	N	N	B
01	067B2170	-	-	32	-	-	34	-	-
01	067B2172	33.5	36	-	-	-	-	-	-
01	067B2175	-	-	-	35	35	-	33	33

TE 55

Orifice no.	Orifice code no.	Y = ±1 mm							
		R22 Range		R134a Range	R404A Range		R12 Range	R502 Range	
		N	B	N	N	B	N	N	B
01	067G2001	-	-	31	-	-	33	-	-
02	067G2002	-	-	31	-	-	33	-	-
01	067G2005	32	34	-	-	-	-	-	-
02	067G2006	32	34	-	-	-	-	-	-
01	067G2011	-	-	-	33	33	-	33	34
02	067G2012	-	-	-	33	33	-	33	34

