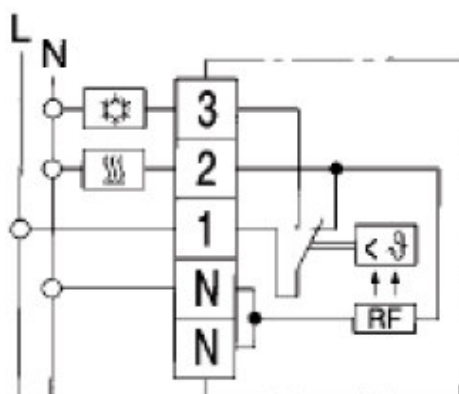


RTR-E 6705



RTR-E 6705

Technical data	RTR-E 6202	RTR-E 6705
Article No.	111 1104 51 100	111 1709 51 100
Temperature range	5...30°C	5...60°C
Contact	1 break contact	1 change-over
Operating Voltage	AC 230V 50/60 Hz	AC 230V 50/60 Hz
Switching current	10mA...10(4)A, DC 100 W	10 mA ...16(4), DC 100 W
Temperature set-back	~ 5 K ①	-
Hysteresis	~ 0,5 K	~ 0,5 K
Indicator lamp	Calling for heat	-
Housing protection	IP 30/ insulated	IP 30/ insulated
Special features	with 1.8 m cable and plug	-
Dimensions	75 x 75 x 27,5 mm	75 x 75 x 27,5 mm
① Operated via external timer		