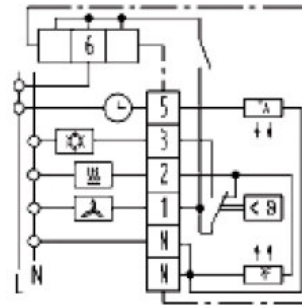


RTR-E 6763



Wiring diagram



RTR-E 6763

Technical data	RTR-E 6763
Article No.	111 1703 51 100
Temperature range	5...30°C
Contact	1 change-over
Operating Voltage	AC 230V 50/60 Hz
Switching current	10mA..10(4)A heating, DC30 W 10mA...5(2)A cooling
Temperature set-back	~ 5 K ①
Hysteresis	~ 0,5 K
Switch	Mains on/of
Housing protection	IP 30/ insulated
Special features	-
Dimensions	75 x 75 x 25,5 mm
① Operated via external timer	