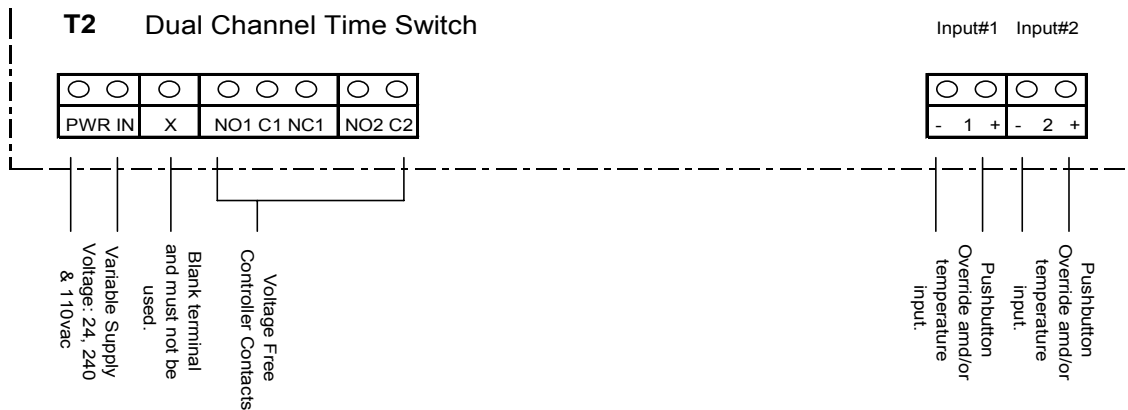


## MICRO AIR MiG T2 DATA SHEET

Power Supply	230 Volt Operation @ 50Hz 24 Volt Operation @ 50Hz 110 Volt Operation @ 60Hz
Power Consumption	7VA
Relay Contacts	2 Pairs – Voltage Free
Voltage	Rated to 240 Vac
Current Resistive	6Amps
Controlled Inputs	Resistive (accuracy of +/- 0.25% kOhm),
Controlled Temperature Range	-30°C to 110°C & -20°F to 230°F
Weight	550g
Size	160W x 110H x 65D
C-Tick Compliance	Yes
Meets ISO 9001:2000 Quality Assurance	Yes
Commercially Rated	Yes
365 Day Programmable	Yes
Daylight Saving	Yes
Single Holidays	12
Block Holiday Periods	12
Manual Override	Maximum of 2 remote buttons – not supplied
Extreme Temperature Override	Maximum of 2 channels
Override Logs	Records hours used
Memory Backup	Yes – via a Super Capacitor (no need to replace)
Automatic Warning to update holidays	Yes
Switchings per Day	Up to 8 switching times per day per channel
Warranty	2 years from date of purchase, on parts only
Security Access	Yes



MiG T2 Ver 1.0  
17/8/04

**Micro Air Pty Ltd**  
13-15 McDonald Street  
MORTLAKE NSW 2137  
Ph: 02 8754 3315 Fax: 8754 3388  
[www.micro-air.com.au](http://www.micro-air.com.au)