



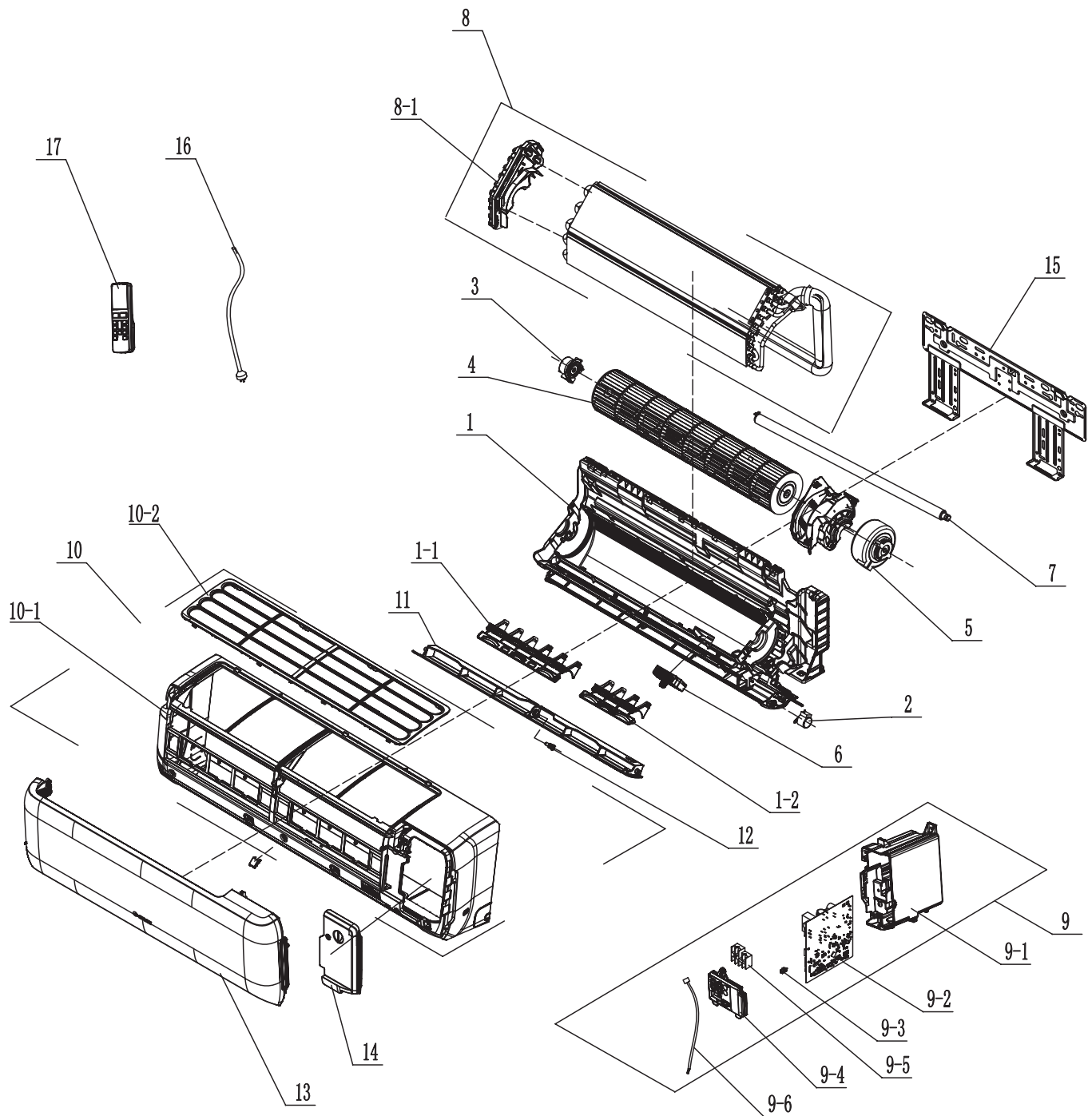
# **ALTO HI-WALL INVERTER AIR CONDITIONER**

**SPARE PARTS LIST**

October 2024

# GWH09ATBXB-K6DNA1C/I

## Exploded View



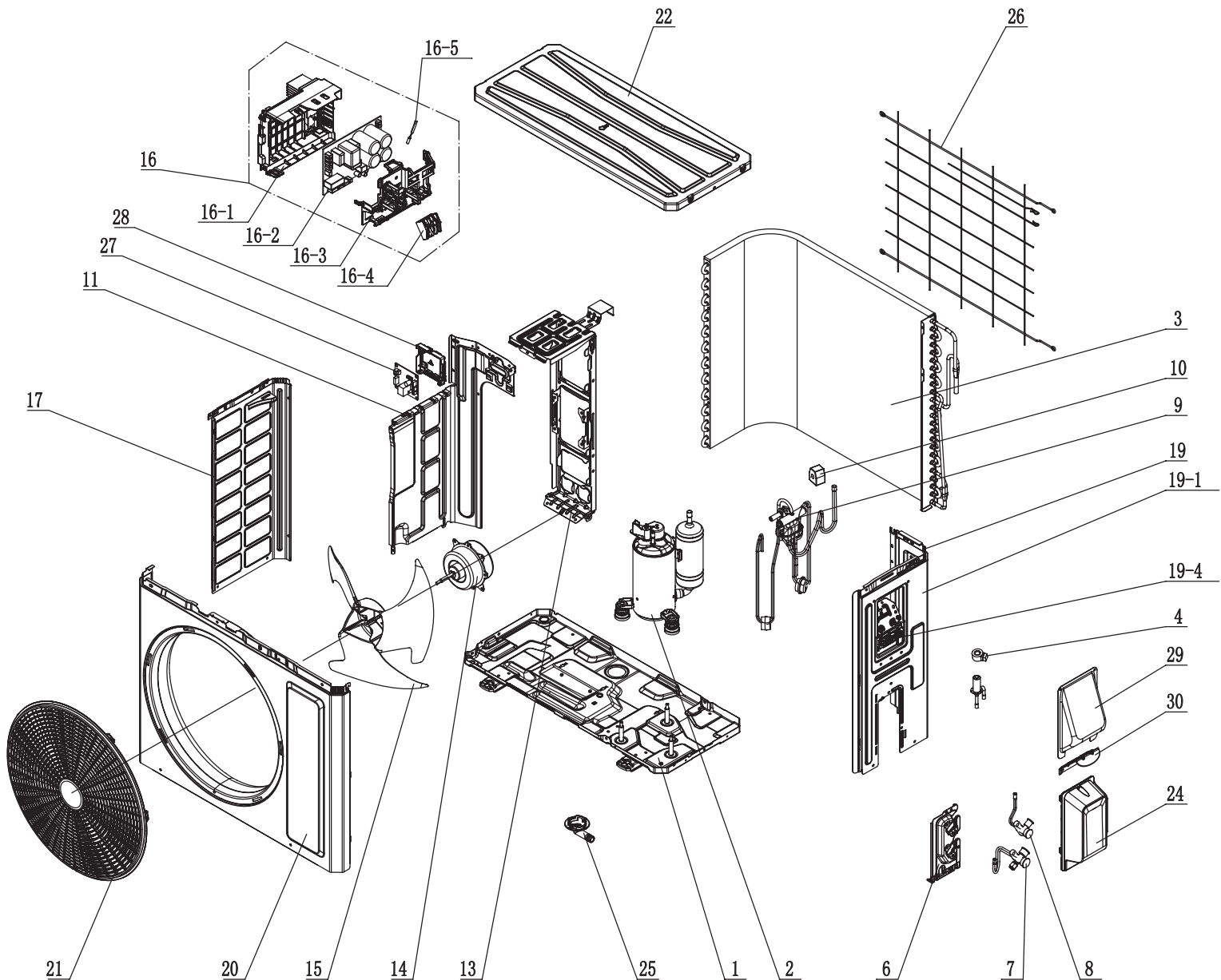
**GWH09ATBXB-K6DNA1C/I**

## Spare Parts List

No.	Part Description	Part Code
1	Rear Case Sub-Assy	20900506004001
1-1	Air Louver 2	200007060107
1-2	Air Louver 1	200007060105
2	Stepping Motor	1521210712
3	Axile Bush Sub-assy	10542047
4	Cross Flow Fan	103001060036
5	Fan Motor	150120874
6	Plasmacluster Ion	N/A
7	Drainage Hose	0523001408
8	Evaporator Assy	01100106256503P
8-1	Evaporator Support	200025060028
9	Electric Box Assy	100002081162
9-1	Electric Box	200013060123
9-2	Main Board	300002063913
9-3	Jumper	4202021901
9-4	Display Board	300001061537
9-5	Terminal Board	422000000018
9-6	Temperature Sensor	3900031302
10	Front Case Assy	209007060092
10-1	Front Case	200002060085
10-2	Filter Sub-Assy	111001060340
11	Guide Louver	200004060195
12	Axile Bush	10542036
13	Front Panel	200003060304T
14	Electric Box Cover	200082060090
15	Wall Mounting Frame	012043060020
16	Power Cord	N/A
17	Remote Control Holder	2615000701

# GWH09ATBXB-K6DNA1C/O

## Exploded View

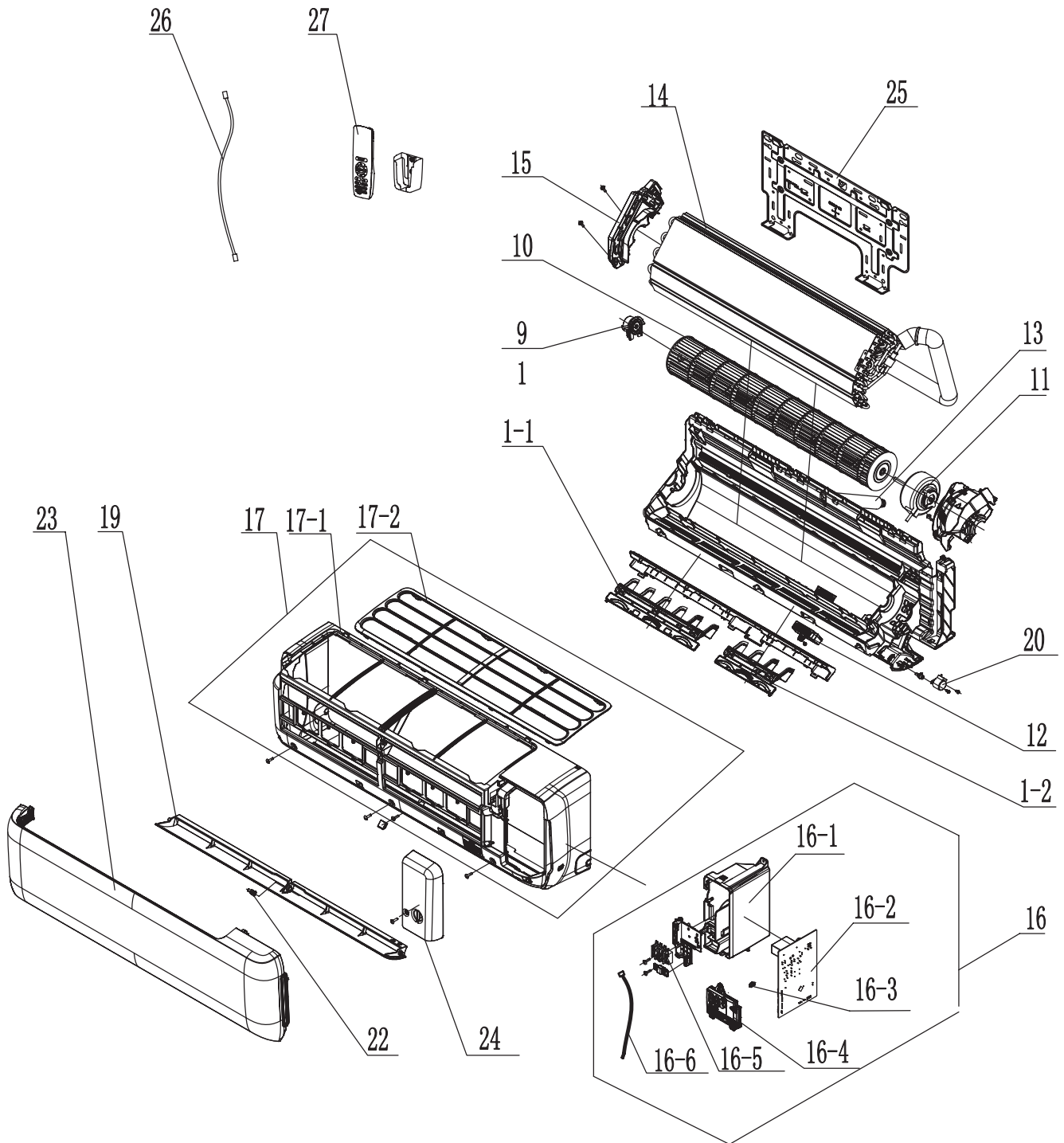


**GWH09ATBXB-K6DNA1C/O****Spare Parts List**

NO.	Part Description	Part Code
1	Chassis Sub-assy	017000060636P
2	Compressor and Fittings	009001060605
3	Condenser Assy	011002061561
4	Electric Expand Valve Fitting	N/A
6	Valve Support	012044060022P
7	Cut-off valve 3/8(N)	070001060029
8	Cut-off valve 1/4(N)	070001060022
9	4-Way Valve Assy	030152061266
10	Magnet Coil	4300040072
11	Clapboard	012051060895
13	Motor Support	012048060149
14	Brushless DC Motor	150104060095
15	Axial Flow Fan	10333428
16	Electric Box Assy	100002081164
16-1	Electric Box	200013060073
16-2	Main Board	300027063598
16-3	Electric Box Cover	20008206005801
16-4	Terminal Board	422000060075
16-5	Temperature Sensor	3900030811
17	Left Side Plate	012055060397P
19	Right Side Plate Assy	000081060280
19-1	Right Side Plate	01205606038406P
19-4	Wire Clamp	200015060018
20	Cabinet	012022060012P
21	Front Grill	200057060013
22	Top Cover Assy	000097060345
24	Valve Cover	200087060004
25	Drainage Joint	26113009
26	Rear Grill	016001060095
27	Communication Interface Board	300014060128
28	Mounting Plate	N/A
29	Cable Cross Plate	01220906002802P
30	Cable Cross Plate	01220906002701P

# GWH12ATCXB-K6DNA1B/I

## Exploded View

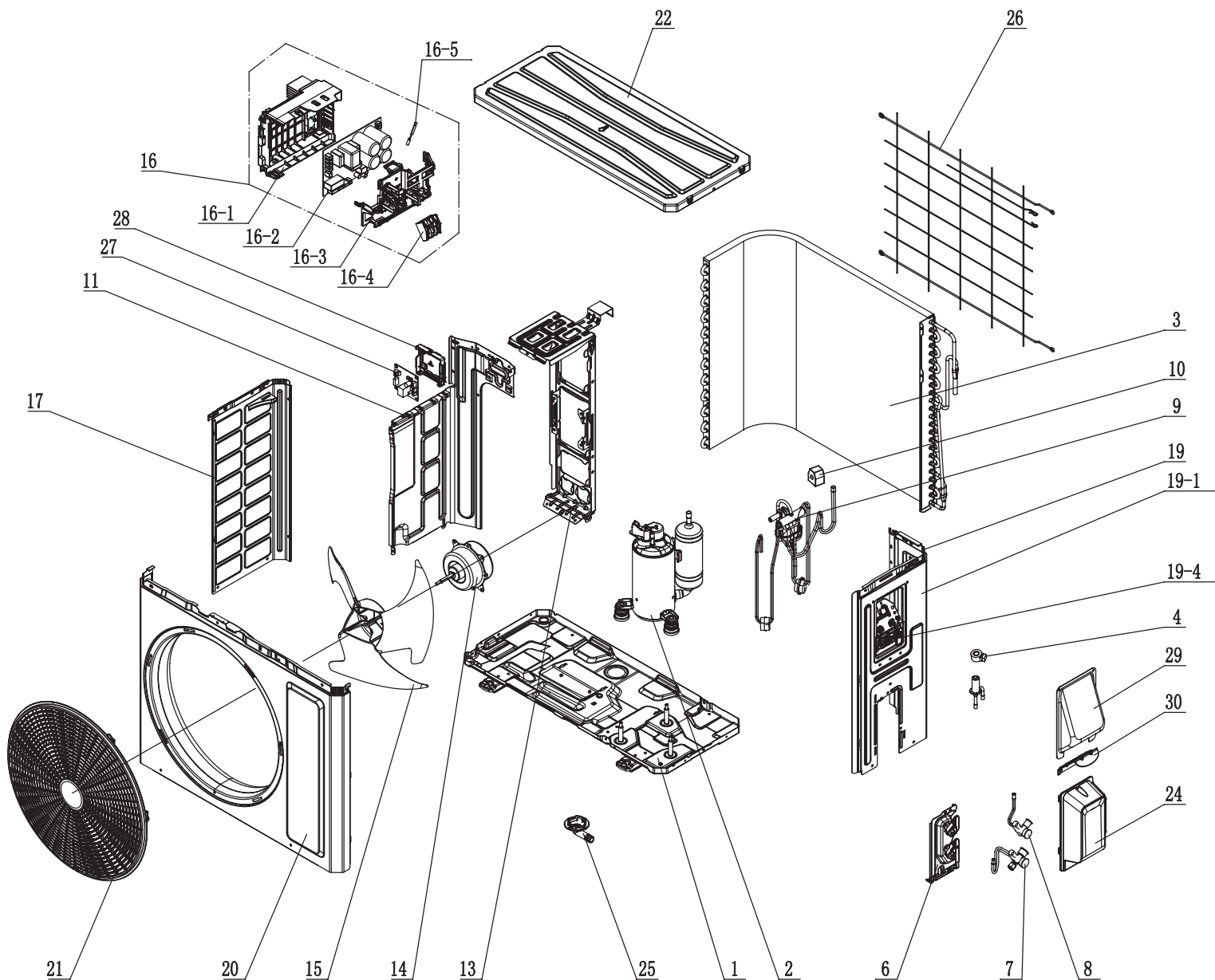


**GWH12ATCXB-K6DNA1B/I****Spare Parts List**

NO.	Part Description	Part Code
1	Rear Case Sub-Assy	20900506003901
1-1	Air Louver (left)	200007060108
1-2	Air Louver (right)	200007060109
9	Axile Bush Sub-assy	10542047
10	Cross Flow Fan	103001060038
11	Brushless DC Motor	150104060117
12	Plasmacluster Ion	N/A
13	Drainage Hose	05230014
14	Evaporator Assy	01100106240502P
15	Evaporator Support	200025060027
16	Electric Box Assy	100002080978
16-1	Electric Box	200013060124
16-2	Main Board	300002063867
16-3	Jumper	4202021909
16-4	Display Board	300001061521
16-5	Terminal Board	422000000022
16-6	Temperature Sensor	3900031302
17	Front Case Assy	000002060324
17-1	Front Case	200002060087
17-4	Filter Sub-Assy	111001060341
19	Guide Louver	200004060197
20	Stepping Motor	1521210712
22	Axile Bush	10542036
23	Front Panel	200003060306T
24	Electric Box Cover	200082060091
25	Wall Mounting Frame	012043000008
26	Power Cord	N/A
27	Remote Control Holder	2615000701

# GWH12ATCXB-K6DNA1B/O

## Exploded View



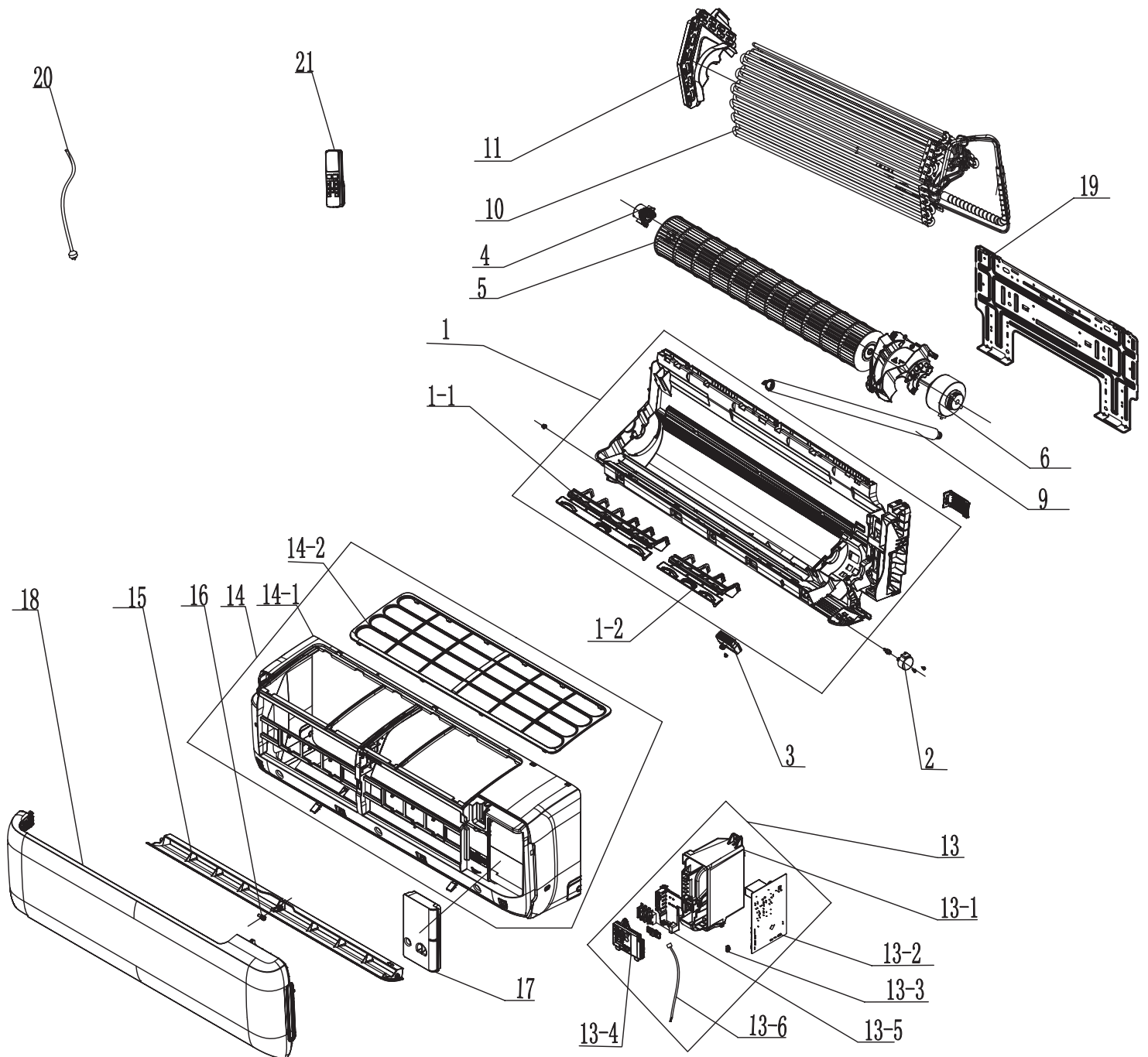


**GWH12ATCXB-K6DNA1B/O****Spare Parts List**

NO.	Part Description	Part Code
1	Chassis Sub-assy	017000060636P
2	Compressor and Fittings	009001060648
3	Condenser Assy	011002061954
4	Electric Expand Valve Fitting	07200206002301
6	Valve Support	012044060022P
7	Cut-off valve 3/8(N)	070001060029
8	Cut-off valve 1/4(N)	070001060022
9	4-Way Valve Assy	030152061436
10	Magnet Coil	4300040072
11	Clapboard	012051060895
13	Motor Support	01204806014901
14	Brushless DC Motor	150104060095
15	Axial Flow Fan	10333428
16	Electric Box Assy	100002080977
16-1	Electric Box	200013060073
16-2	Main Board	300027063552
16-3	Electric Box Cover	20008206005801
16-4	Terminal Board	422000060075
16-5	Temperature Sensor	3900030811
17	Left Side Plate	012055060397P
19	Right Side Plate Assy	000081060280
19-1	Right Side Plate	01205606038406P
19-4	Wire Clamp	200015060018
20	Cabinet	012022060012P
21	Front Grill	200057060013
22	Top Cover Assy	000097060345
24	Valve Cover	200087060004
25	Drainage Joint	26113009
26	Rear Grill	016001060095
27	Communication Interface Board	300014060128
28	Mounting Plate	N/A
29	Cable Cross Plate	01220906002802P
30	Cable Cross Plate	01220906002701P

# GWH18ATDXD-K6DNA1C/I

## Exploded View



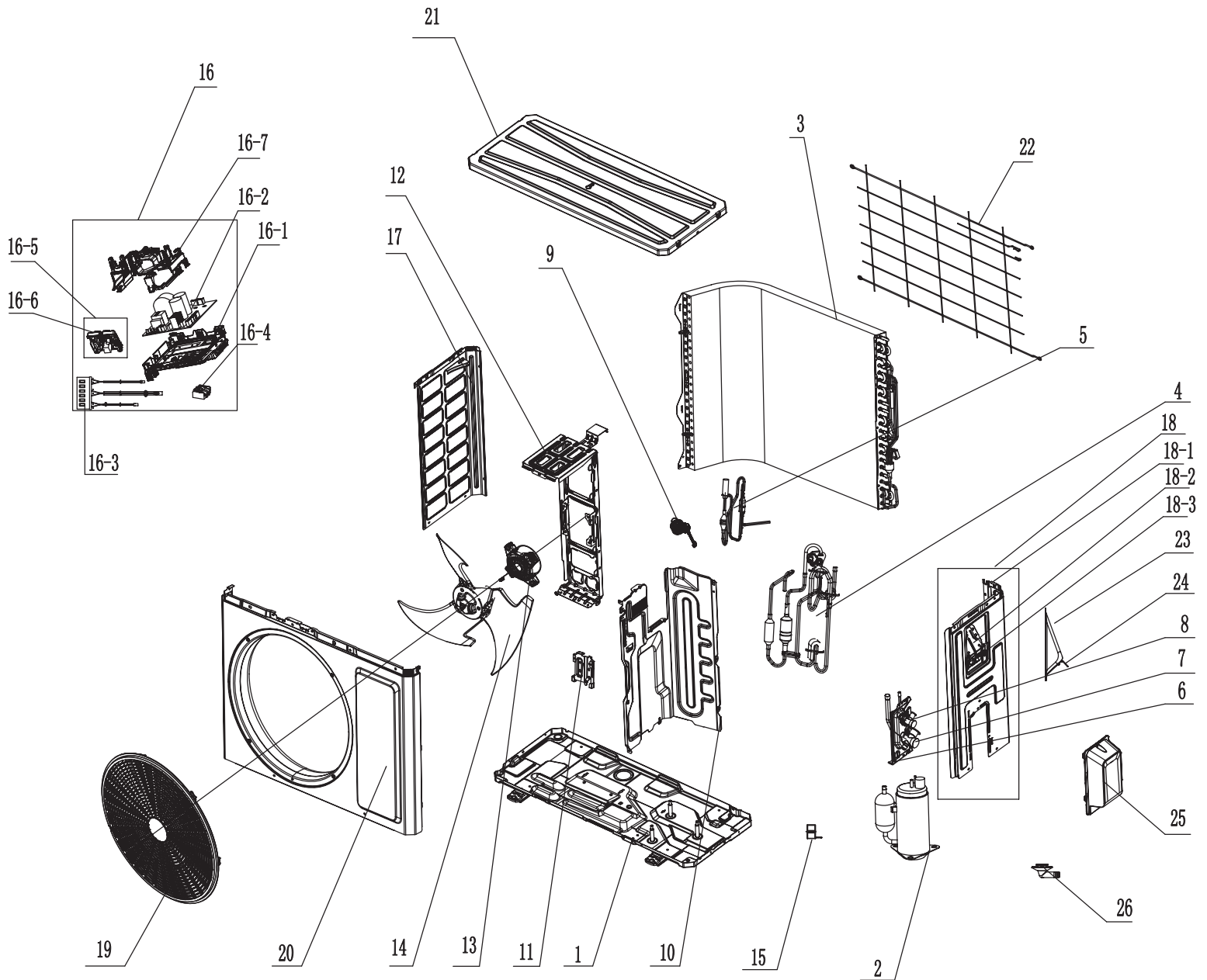
**GWH18ATDXD-K6DNA1C/I**

## Spare Parts List

NO.	Part Description	Part Code
1	Rear Case Sub-Assy	00037706007901
1-1	Air Louver (left)	200007060112
1-2	Air Louver (right)	200007060113
2	Stepping Motor	1521240212
3	Plasmacluster Ion	N/A
4	Axile Bush Sub-assy	1054204701
5	Cross Flow Fan	103001060034
6	Brushless DC Motor	15010406008801
9	Drainage Hose	05230014
10	Evaporator Assy	011001062414P
11	Evaporator supporter (D5)	200025060024
13	Electric Box Assy	100002081268
13-1	Electric Box	200013060122
13-2	Main Board	300002063951
13-3	Jumper	4202021916
13-4	Display Board	300001061521
13-5	Terminal Board	422000000022
13-6	Temperature Sensor	3900031302
14	Front Case Assy	000002060422
14-1	Front Case	200002060086
14-2	Filter Sub-Assy	111001060338
15	Guide Louver	200004060196
16	Axile Bush	10542036
17	Electric Box Cover	200082060089
18	Front Panel	200003060305T
19	Wall Mounting Frame	012043060024
20	Power Cord	N/A
21	Remote Control Holder	2615000701

# GWH18ATDXD-K6DNA1C/O

## Exploded View

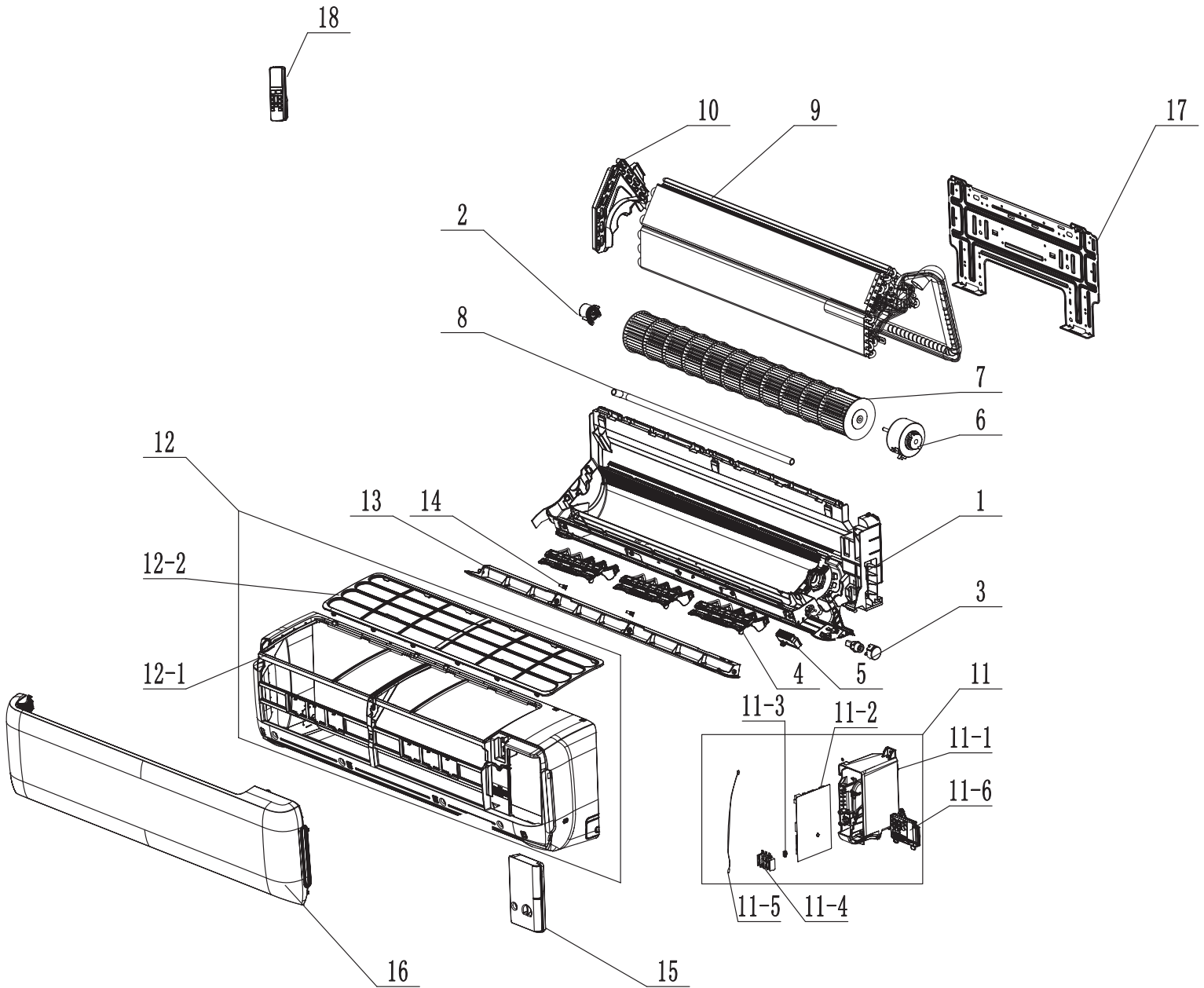


**GWH18ATDXD-K6DNA1C/O****Spare Parts List**

NO.	Part Description	Part Code
1	Chassis Sub-assy	017000060609P
2	Compressor and Fittings	009001060655
3	Condenser Assy	011002061794
4	4-Way Valve Assy	030152060719
5	Electric Expansion Valve Sub-Assy	030026060873
6	Valve Support	012044060022P
7	Cut-off valve 1/2(N)	070001060024
8	Cut-off valve 1/4(N)	070001060022
9	Electric Expand Valve Fitting	07200206002214
10	Clapboard	012051061151
11	Installation rack (Reactor)	012139060095
12	Motor Support	01204806014001
13	Brushless DC Motor	150104060095
14	Axial Flow Fan	103002060015
15	Magnet Coil	4300040072
16	Electric Box Assy	100002081266
16-1	Electric Box	20001306010103
16-2	Main Board	300027063639
16-3	Temperature Sensor	3900030813
16-4	Terminal Board	422000060075
16-5	Communication Interface Board	300014060128
16-6	Mounting Plate	N/A
16-7	Controller Cover	20006606003501
17	Left Side Plate	012055060395P
18	Right Side Plate Assy	00008106028301
18-1	Right Side Plate	01205606036706P
18-2	Earthing Plate Sub-assy	017246000004
18-3	Wire Clamp	200015060019
19	Front Grill	200057060014
20	Cabinet	012022060010P
21	Top Cover Assy	000097060355
22	Rear Grill	016001060082
23	Cable Cross Plate	01220906002802P
24	Cable Cross Plate	01220906002701P
25	Valve Cover	200087060004
26	Drainage Joint	26113009

# GWH24ATEXF-K6DNA1E/I

## Exploded View



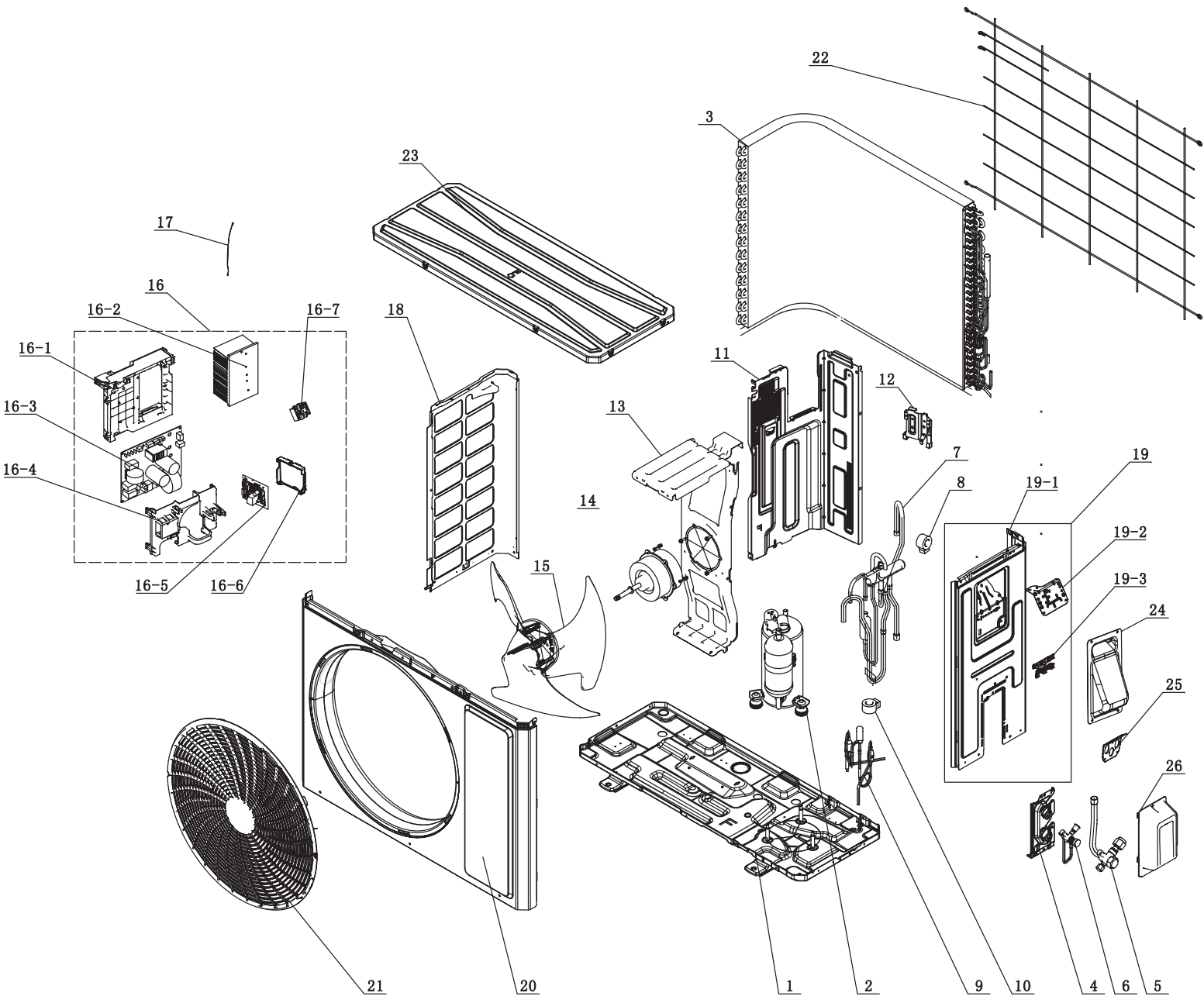
**GWH24ATEXF-K6DNA1E/I**

## Spare Parts List

NO.	Part Description	Part Code
1	Rear Case Sub-Assy	000377060088
2	Axile Bush Sub-assy	1054204701
3	Stepping Motor	1521240210
4	Air Louver	200007060102
5	Plasma Bunch Ion	N/A
6	Brushless DC Motor	150104060116
7	Cross Flow Fan	103001060035
8	Drainage Hose	0523001405
9	Evaporator Assy	011001062812P
10	Evaporator Support(D7)	200025060025
11	Electric Box Assy	100002081193
11-1	Electric Box	200013060122
11-2	Main Board	300002063880
11-3	Jumper	4202021922
11-4	Terminal Board	422000000022
11-5	Temperature Sensor	3900031302
11-6	Display Board	300001061521
12	Front Case Sub-assy	209007060129
12-1	Front Case	200002060083
12-2	Filter Sub-Assy	111001060337
13	Guide Louver	200004060193
14	Axile Bush	10542036
15	Electric Box Cover	200082060089
16	Front Panel Assy	000003060833
17	Wall Mounting Frame	012043060024
18	Remote Controller	305001060060

# GWH24ATEXF-K6DNA1E/O

## Exploded View



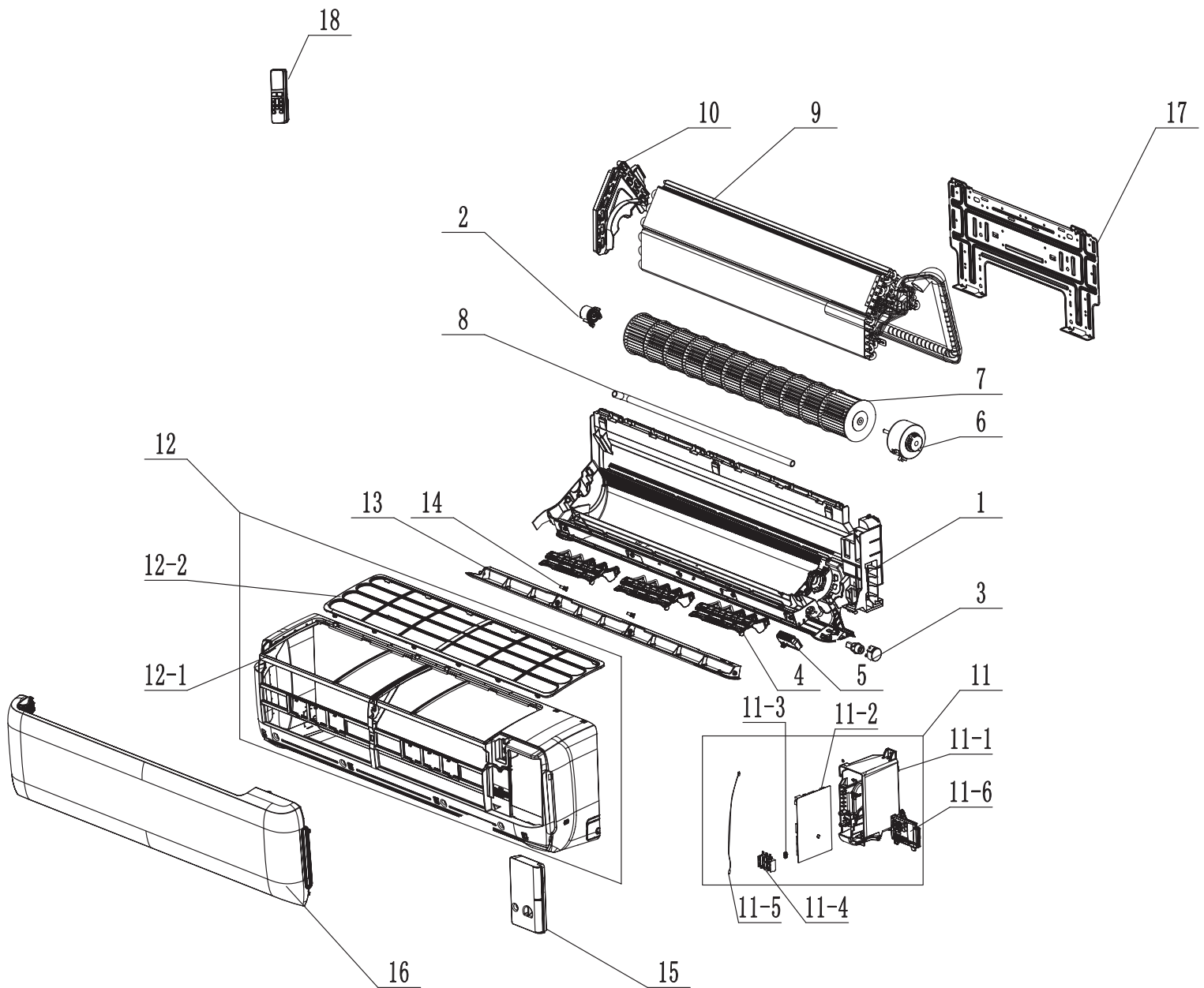


**GWH24ATEXF-K6DNA1E/O****Spare Parts List**

NO.	Part Description	Part Code
1	Chassy Sub-assy	017000060761P
2	Compressor and Fittings	009001060621ST
3	Condenser Assy	011002061698
4	Valve Support	012044060022P
5	Cut-off valve 1/2(N)	070001060024
6	Cut-off valve 1/4(N)	070001060022
7	4-Way Valve Assy	030152061465
8	Magnet Coil	4300040072
9	Electronic Expansion Valve assy	030174060327
10	Electric Expand Valve Fitting	07200206002214
11	Clapboard	012051061303
12	Mounting Rack	012139060131
13	Motor Support	012048060145
14	Brushless DC Motor	150104060103
15	Axial Flow Fan	10335008
16	Electric Box Assy	100002081192
16-1	Electric Box	20001306008501
16-2	Radiator	43003406011601
16-3	Main Board	300027063611
16-4	Electric Box Cover	20008206006801
16-5	Communication Interface Board	300014060128
16-6	Mounting Plate	N/A
16-7	Terminal Board	422000060075
17	Temperature Sensor	3900030912
18	Left Side Plate	012055060393P
19	Right Side Plate Assy	00008106019309
19-1	Right Side Plate	01205606038704P
19-2	Earthing Plate Sub-assy	01724600000201
19-3	Wire Clamp	200015060020
20	Front Grill	200057060016
21	Front Panel	012073061611P
22	Rear Grill	016001060085
23	Top Cover Assy	00009706033301
24	Handle	012210060013P
25	Cable Cross Plate	012209060041P
26	Valve Cover	200087060005

# GWH28ATEXF-K6DNA1A/I

## Exploded View



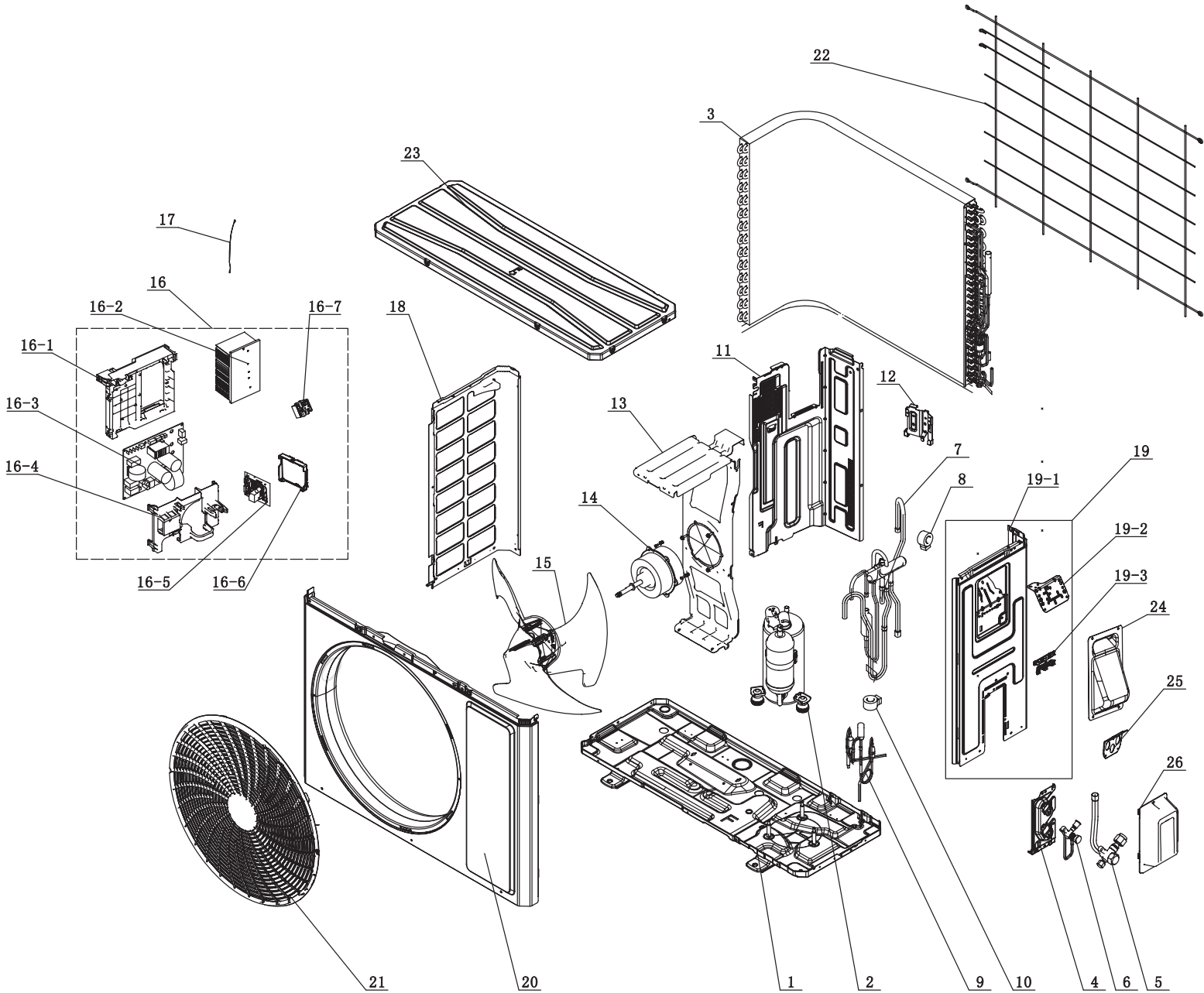
**GWH28ATEXF-K6DNA1A/I**

## Spare Parts List

NO.	Part Description	Part Code
1	Rear Case Sub-Assy	000377060088
2	Axile Bush Sub-assy	1054204701
3	Stepping Motor	1521240210
4	Air Louver	200007060102
5	Plasma Bunch Ion	N/A
6	Brushless DC Motor	150104060116
7	Cross Flow Fan	103001060035
8	Drainage Hose	0523001405
9	Evaporator Assy	01100106281201P
10	Evaporator Support(D7)	200025060025
11	Electric Box Assy	100002081155
11-1	Electric Box	200013060122
11-2	Main Board	300002063880
11-3	Jumper	4202021922
11-4	Terminal Board	422000000022
11-5	Temperature Sensor	3900031302
11-6	Display Board	300001061521
12	Front Case Sub-assy	209007060129
12-1	Front Case	200002060083
12-2	Filter Sub-Assy	111001060337
13	Guide Louver	200004060193
14	Axile Bush	10542036
15	Electric Box Cover	200082060089
16	Front Panel Assy	000003060833
17	Wall Mounting Frame	012043060024
18	Remote Controller	305001060060

# GWH28ATEXF-K6DNA1A/O

## Exploded View



**GWH28ATEXF-K6DNA1A/O****Spare Parts List**

NO.	Part Description	Part Code
1	Chassis Sub-assy	01700006062501P
2	Compressor and Fittings	009001060755
3	Condenser Assy	011002061983
4	Valve Support	012044060022P
5	Cut-off valve 1/2(N)	070001060024
6	Cut-off valve 1/4(N)	070001060022
7	4-Way Valve Assy	030152061463
8	Magnet Coil	4300040072
9	Electric Expansion Valve Sub-Assy	030174060326
10	Electric Expand Valve Fitting	07200206002309
11	Clapboard	012051061205
12	Mounting Rack	012139060095
13	Motor Support	012048060145
14	Brushless DC Motor	150104060103
15	Axial Flow Fan	10335262
16	Electric Box Assy	100002081154
16-1	Electric Box	20001306008501
16-2	Radiator	43003406011601
16-3	Main Board	300027063569
16-4	Electric Box Cover	20008206006801
16-5	Communication Interface Board	300014060128
16-6	Mounting Plate	N/A
16-7	Terminal Board	422000060075
17	Temperature Sensor	3900030912
18	Left Side Plate	012055060393P
19	Right Side Plate Assy	00008106021512
19-1	Right Side Plate	01205606037704P
19-2	Earthing Plate Sub-assy	01724600000201
19-3	Wire Clamp	200015060020
20	Front Panel	012073061611P
21	Front Grill	200057060016
22	Rear Grill	016001060088
23	Top Cover Assy	000097060333
24	Handle	012210060013P
25	Cable Cross Plate	012209060041P
26	Valve Cover	200087060005

It is the policy of Gree Australia to introduce continuous product improvements.  
Accordingly, specifications are subject to change without notice.  
Please consult with your dealer to confirm the specifications of the model selected.

1800 473 346  
[greeac.com.au](http://greeac.com.au)

