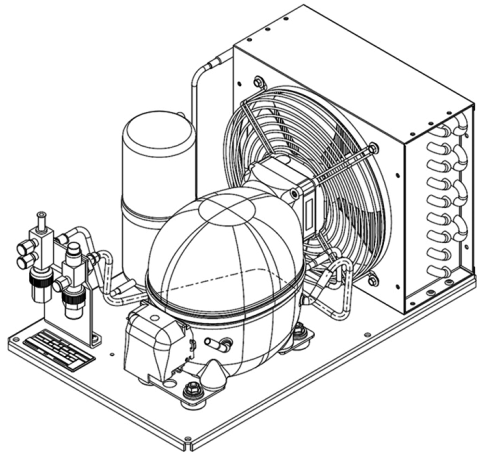


UNEK6170Z



**ENGINEERING CODE**  
573DA8612AA

**REFRIGERANT**  
R-134a

**POWER SUPPLY**  
220-240 V 50 Hz

**APPLICATION**  
HBP

**MOTOR TYPE**  
CSIR

**STANDARD**  
ASHRAE

**COOLING CAPACITY**  
837 W

**EFFICIENCY**  
2.43 W/W

CE

ECODESIGN COMPLIANT

DATA

GENERAL DATA

**Model** UNEK6170Z

ELECTRICAL DATA

**Locked Rotor Amperage (LRA)** 12.40 A

**Rated Load Amperage (RLA)** 2.35 A

**Maximum Overcurrent Protection (MOP)** 5.29 A

**Minimum Current Ampacity (MCA)** 2.9 A

ACCESSORIES

**Discharge valve** SOLDER 1/4" 2110086

**Suction valve** SOLDER 3/8" 2110060

CONDENSING COMPONENTS

**Compressor** NEK6170Z M/HBP

**Condenser** 3R9T 2451205

**Refrigerant** R-134a

**Expansion Device** C-V

**Fan Blade Diameter** 230 mm

**Fankit** 10W 230/31/5B 1996580

## MECHANICAL DATA

Air Flow	420 m <sup>3</sup> /h
Height	254 mm
Receiver	1.1 L
Shaft Power	10 W
Weight	21 Kg
Width	302 mm
Length	480 mm

## PERFORMANCE

### TESTED CONDITIONS

Tested Refrigerant	R-134a
Tested Application	HBP
Tested Standard	ASHRAE

### RATED POINTS

Ambient Temperature °C	Evaporating Temperature °C	Cooling Capacity W	Efficiency W/W	Consumo de Potencia W
32	7.2	837	2.43	345

Test Condition: Subcooling 3 K, Return Gas 32 °C.

### PERFORMANCE CURVE

Ambient Temperature 25°C

Evaporating Temperature °C	Cooling Capacity W	Efficiency W/W	Consumo de Potencia W
-15	392	1.72	228
-5	599	2.21	271
0	722	2.44	296
5	857	2.66	322
10	1005	2.87	350

Test Condition: Subcooling 3 K, Return Gas 32 °C.

### PERFORMANCE CURVE

Ambient Temperature 32°C

Evaporating Temperature °C	Cooling Capacity W	Efficiency W/W	Consumo de Potencia W
-15	357	1.52	235
-5	544	1.95	279
0	656	2.15	305
5	779	2.35	332
10	914	2.53	361

Test Condition: Subcooling 3 K, Return Gas 32 °C.

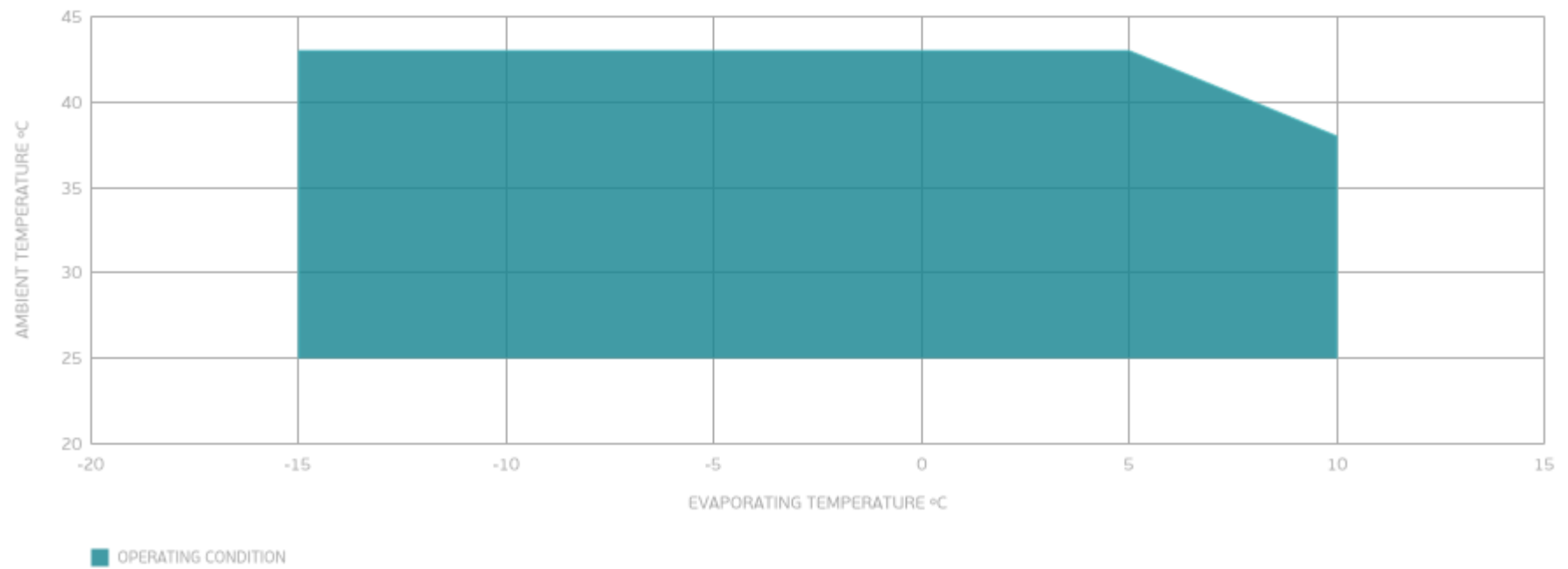
## PERFORMANCE CURVE

Ambient Temperature 43°C

Evaporating Temperature °C	Cooling Capacity W	Efficiency W/W	Consumo de Potencia W
-15	280	1.13	247
-5	440	1.46	300
0	536	1.62	331
5	642	1.76	364

Test Condition: Subcooling 3 K, Return Gas 32 °C.

## ENVELOPE



## EXTERNAL DIMENSIONS

