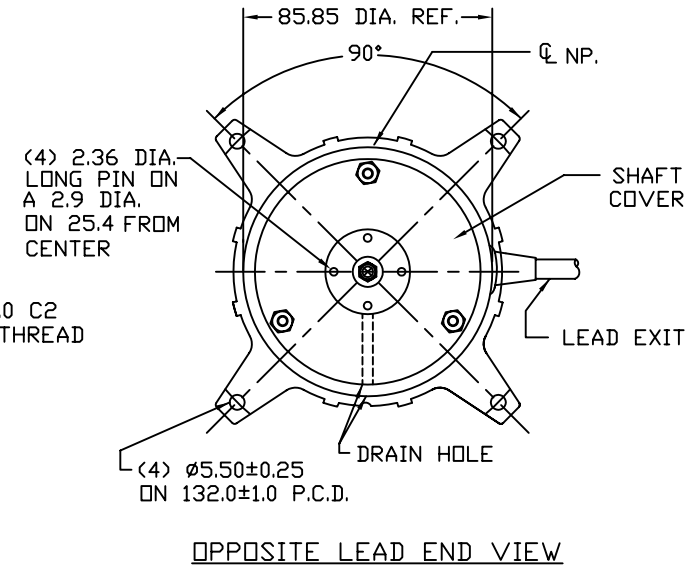
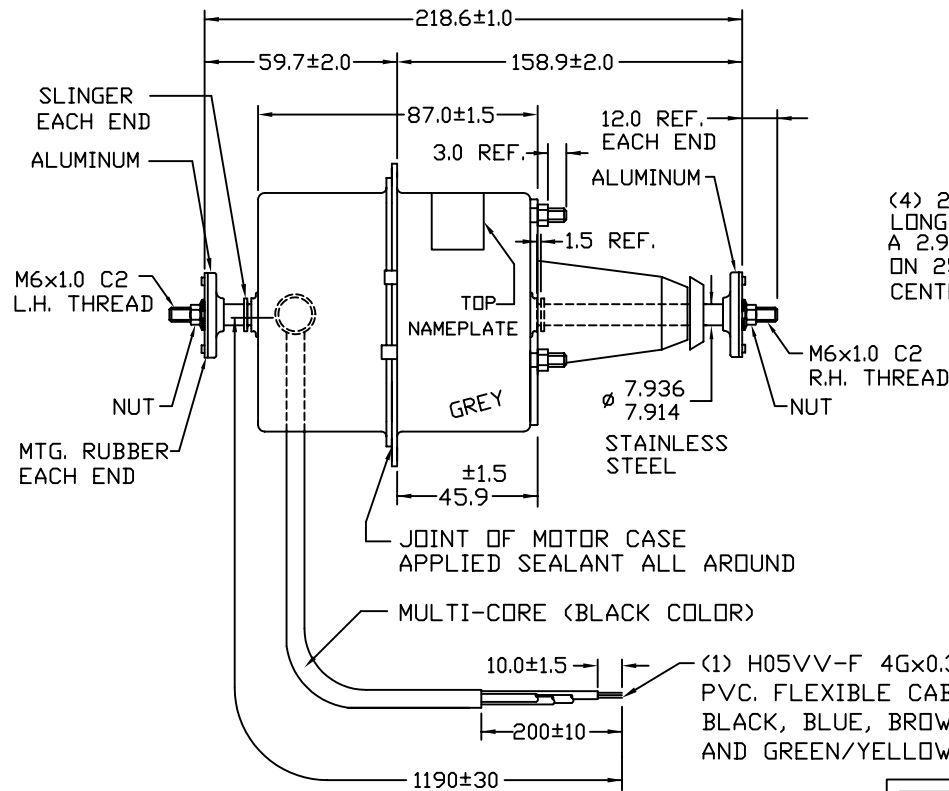
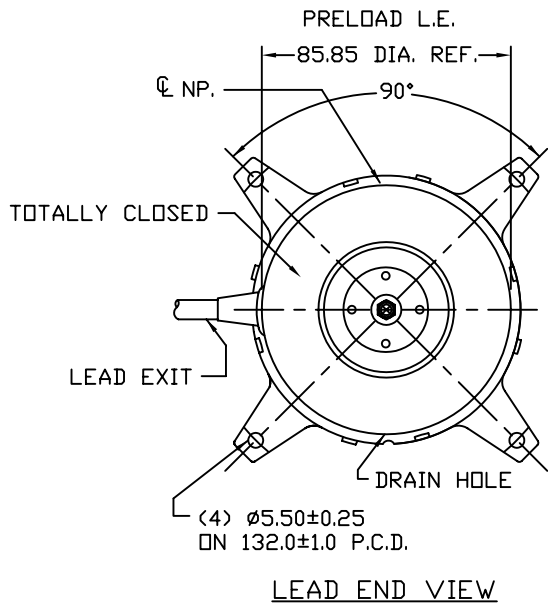


CUSTOMER IS SOLELY RESPONSIBLE FOR MOTOR PERFORMANCE AND SUITABILITY IN APPLICATIONS FOR CUSTOMER'S USES.

THIS MOTOR IS INTENDED FOR SAMPLING AND CUSTOMER APPROVAL ONLY. NO APPLICATION FITNESS APPROVAL IS IMPLIED AS THAT CAN ONLY BE DETERMINED BY THE CUSTOMER.



GENERAL SPECIFICATION

- 1. MOTOR TYPE: CAPACITOR RUN MOTOR
- MOTOR DUTY: CONTINUOUS AIR OVER MOTOR
- 2. MOTOR MODEL: KJF4Y701A
- 3. MOTOR DETAILS: 220-240V 50/60Hz 1Ø 4P 0.20A 16W 1300/1550RPM 2 µF 370 VAC CAPACITOR FAN BLADE
- APPLICATION: SPECCN x 1.2 mm. (DEEP DRAW STEEL AND FULLY PAINTED)

- 4. MATERIAL DETAILS:
  - (1) MOTOR CASE: SUS 304 STAINLESS STEEL #608 ZZ
  - (2) SHAFT: H05VV-F 4Gx0.30SQ.mm.
  - (3) BEARING TYPE: PVC. FLEXIBLE CABLE 105°C
  - (4) LEAD WIRE (MULTI-CORE): THREE BOND 1141
  - (5) SEALANT: MACHINING SURFACE COATED BY RUST PROOF VANISH
  - (6) ROTOR CONDUCTOR:

- 5. MECHANICAL SPECIFICATION:
  - (1) ROTATION OF MOTOR: CLOCKWISE FROM LEAD END
  - (2) PRELOAD (WAVE WASHER) SIDE OF L.E. 0.05mm. T.I.R. MAX. AT 15.0mm. FROM SHAFT END
  - (3) CONCENTRICITY OF SHAFT:

NOTE :  
1. BARCODE DATA ARE KJF4Y701A

CAULKING OF MOTOR CASE (WITH 4 FINGER)

NOTE:  
MOTOR CASE SHALL BE CAULKED USING 4 FINGERS AS SHOWN ABOVE. HOWEVER, WHEN THE MOTOR IS RE-ASSEMBLED DUE TO THE MANUFACTURING CIRCUMSTANCE, OTHER 4 FINGERS SHALL BE USED AND CAULKED. IN THAT CASE, 4 FINGERS SHOWN ABOVE SHALL BE REMOVED WITH A SMOOTH FINISH BY FLYER.

<p><b>KULTHORN ELECTRIC CO., LTD.</b></p> <p>MODEL KJF4Y701A      SER.XXXYXXXX</p> <p>220-240V 50/60Hz 1PH 0.20A</p> <p>INPUT 42W    OUTPUT 16W    INS.CL.B</p> <p>I.P.44 1300/1550RPM AIR OVER MOTOR</p> <p>CAP. 2µF 370VAC THERMALLY PROTECTED</p> <p>128 BARCODE FORMAT      &gt;&gt;&gt; ROTATION →</p>		

MOTOR MODEL: <b>KJF4Y701A</b>	ELECTRICAL PER. SAMPLE NO. <b>S0258-2</b>	ROTATION: <b>CWLE</b>	WEIGHT: <b>1.40 Kg.</b>	CUSTOMER:
<p><b>KULTHORN ELECTRIC CO., LTD.</b></p>		DRAWN BY: <b>PICHART</b>	CHECKED BY:	APPROVED BY:
UNIT: <input checked="" type="checkbox"/> MM <input type="checkbox"/> INCH		SCALE: NONE -		
				DWG. NO.: <b>82KTJ2-1020</b>