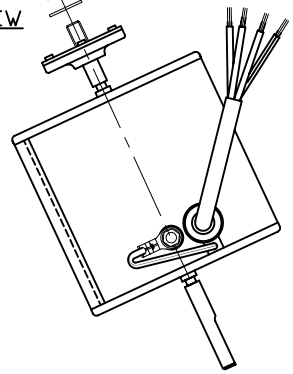
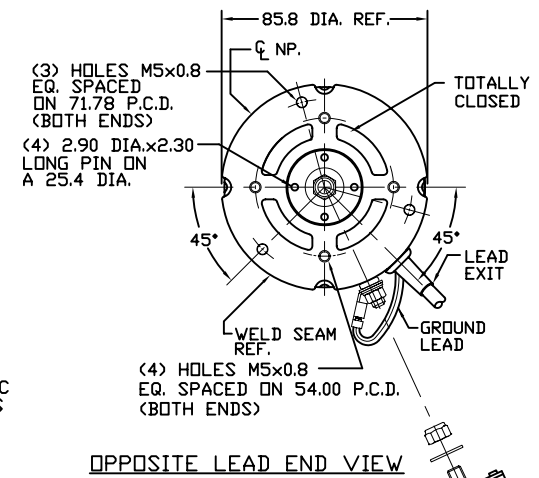
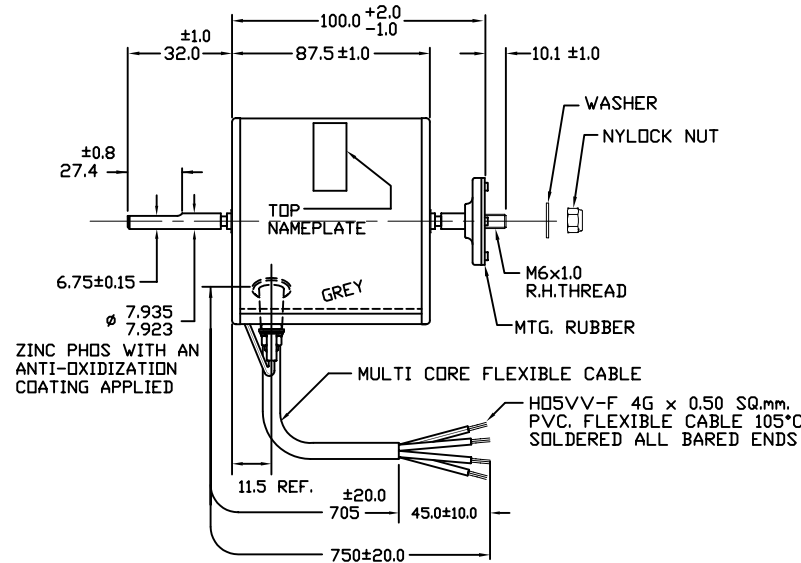
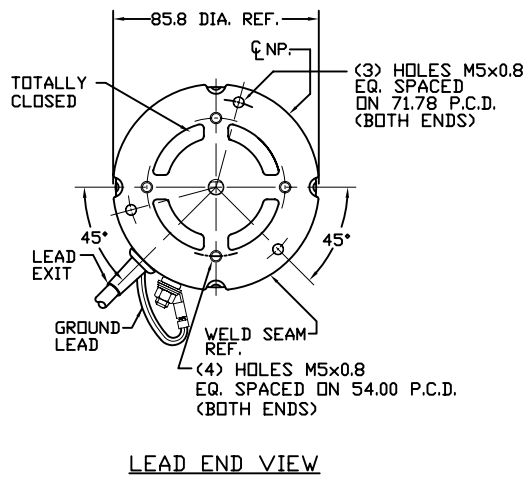


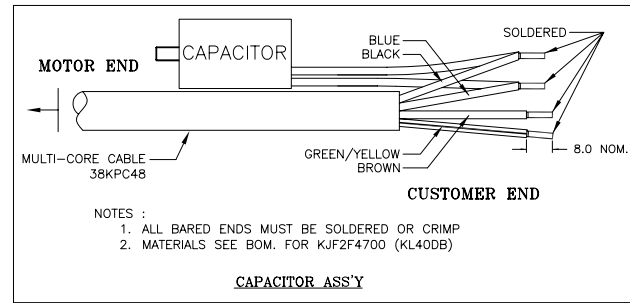
CUSTOMER IS SOLELY RESPONSIBLE FOR MOTOR PERFORMANCE AND SUITABILITY IN APPLICATIONS FOR CUSTOMER'S USES.

THIS MOTOR IS INTENDED FOR SAMPLING AND CUSTOMER APPROVAL ONLY. NO APPLICATION FITNESS APPROVAL IS IMPLIED AS THAT CAN ONLY BE DETERMINED BY THE CUSTOMER.



**GENERAL SPECIFICATION**

- |                             |  |
|-----------------------------|--|
| 1. MOTOR TYPE               | CAPACITOR RUN MOTOR  |
| 2. MOTOR DUTY               | CONTINUOUS AIR OVER MOTOR                                    |
| 3. MOTOR MODEL              | KJF2F4700  |
| 3. MOTOR DETAILS            | 240V 50Hz 0.37A 1Ø 4P 40Wout 1300RPM                         |
|                             | CAP. 2 µF 440VAC   |
| APPLICATION                 | CONDENSING UNIT  |
| MOUNTING METHOD             | (7) M5x0.8 TAPPED HOLES ON BOTH ENDS                         |
| 4. MATERIAL DETAILS         |  |
| (1) SHELL                   | COLD ROLLED STEEL  |
| (2) END HEAD                | ADC 12 ALUMINIUM   |
| (3) SHAFT                   | S45C WITH ZINC PHOS. WITH AN ANTI-OXIDIZATION COATING #608ZZ |
| (4) BALL BEARING            |  |
| (5) LEAD WIRE               | H05VV-F 4Gx0.50 SQ.mm. PVC. FLEX. CABLE 105°C                |
| (MULTI CORE)                |  |
| 5. MECHANICAL SPECIFICATION |  |
| (1) ROTATION OF MOTOR       | REVERSIBLE   |
| (2) PRELOAD                 | SIDE OF LEAD END   |
| (3) CONCENTRICITY OF SHAFT  | 0.05mm. T.I.R. MAX. AT 5.0mm. FROM SHAFT END                 |



NOTES :  
 1. ALL BARED ENDS MUST BE SOLDERED OR CRIMP  
 2. MATERIALS SEE BOM. FOR KJF2F4700 (KL40DB)

 <b>KULTHORN</b> <b>ELECTRIC CO.,LTD.</b> N2664	KJF2F4700 SER.XXXXXXXX 240V 50Hz 0.37A 40Wout 1300RPM CAP. 2 µF 440 VAC AIR OVER MOTOR THERMALLY PROTECTED P/N K140DB ROTATION	COMMON-BROWN LINE ACV-BLUE N CV-BLACK GND-GN/YL CAPACITOR TO REVERSE ROTATION INTERCHANGE BLUE & BLACK ONLY MADE IN THAILAND

NOTE :  
 1. BARCODE DATA ARE KJF2F4700

MOTOR MODEL: <b>KJF2F4700</b>	ELECTRICAL PER. SAMPLE NO. <b>K0907-1</b>	ROTATION: <b>REVERSIBLE</b>	WEIGHT: <b>1.20 Kg.</b>	CUSTOMER:
 <b>KULTHORN</b> <b>ELECTRIC CO.,LTD.</b>		DRAWN BY: <b>PICHART</b>	CHECKED BY:	APPROVED BY:
UNIT: <input checked="" type="checkbox"/> MM <input type="checkbox"/> INCH		SCALE: NONE -	DWG. NO.: <b>82KTJ2-1015</b>	

NAMEPLATE