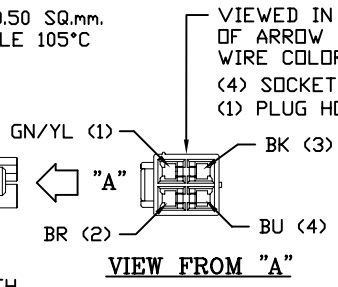
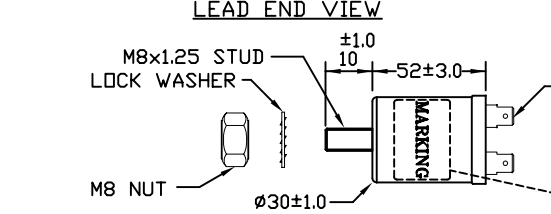
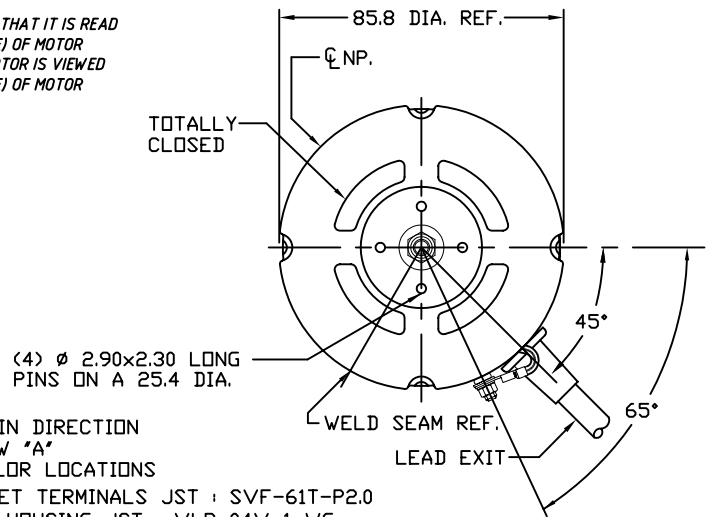
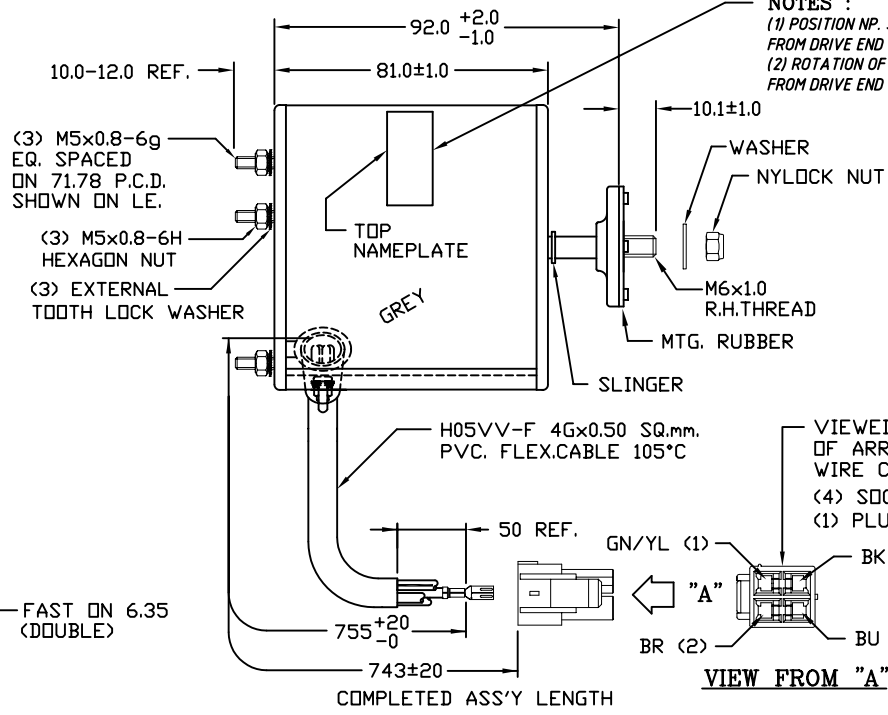
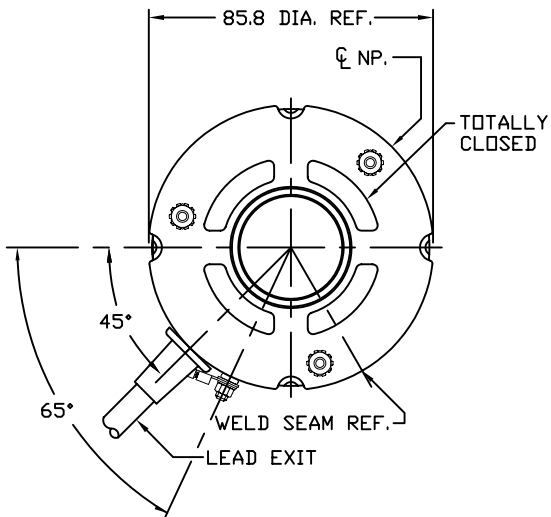


CUSTOMER IS SOLELY RESPONSIBLE FOR MOTOR PERFORMANCE AND SUITABILITY IN APPLICATIONS FOR CUSTOMER'S USES.

THIS MOTOR IS INTENDED FOR SAMPLING AND CUSTOMER APPROVAL ONLY. NO APPLICATION FITNESS APPROVAL IS IMPLIED AS THAT CAN ONLY BE DETERMINED BY THE CUSTOMER.



NOTES :  
 (1) POSITION NP. SO THAT IT IS READ FROM DRIVE END (DE) OF MOTOR  
 (2) ROTATION OF MOTOR IS VIEWED FROM DRIVE END (DE) OF MOTOR

VIEWED IN DIRECTION OF ARROW "A"  
 WIRE COLOR LOCATIONS  
 (4) SOCKET TERMINALS JST : SVF-61T-P2.0  
 (1) PLUG HOUSING JST : VLP-04V-1-WG

**GENERAL SPECIFICATION**

- 1. MOTOR TYPE
- 2. MOTOR MODEL
- 3. MOTOR DETAILS

CAPACITOR RUN MOTOR  
 CONTINUOUS AIR OVER MOTOR  
 KJE2E4703  
 240V 50Hz 0.22A 1Ø 4P 20Wout  
 1300RPM INS. CL. A  
 1.5 µF 440 VAC CAPACITOR  
 CONDENSING UNIT

APPLICATION

- 4. MATERIAL DETAILS
- (1) SHELL
- (2) END HEAD
- (3) SHAFT

COLD ROLLED STEEL  
 ADC 12 ALUMINUM  
 S45C WITH ZINC PHOS. WITH AN ANTI-OXIDIZATION COATING  
 SINTERED IRON  
 H05VV-F 4Gx0.50 SQ.mm.  
 PVC. FLEX.CABLE 105°C

5. MECHANICAL SPECIFICATION

- (1) ROTATION OF MOTOR
- (2) END PLAY
- (3) CONCENTRICITY OF SHAFT

REVERSIBLE  
 0.13-1.0mm. MAX.  
 0.05mm. T.I.R. MAX.  
 AT 15.0mm. FROM SHAFT END

S.M P2  
 EN 60252-1  
 1.5µF-J 50/60  
 400V~B DB  
 450V~C SH  
 25/85/21 MM/YY

	<b>KULTHORN ELECTRIC CO.,LTD.</b>		
	KJE2E4703	SER.XXYXXXXX	
240V 1300RPM CAP. 1.5µF 440 VAC	50Hz INS. CL. A	0.22A AIR OVER MOTOR THERMALLY PROTECTED	20Wout CS7504N
ORFORD P/N MOT-0038734		128 BARCODE FORMAT	
		(ACW) ← ROTATION → (CW)	

NOTE :  
 1. BARCODE DATA IS KJE2E4703

MOTOR MODEL: <b>KJE2E4703</b>	ELECTRICAL PER. SAMPLE NO. <b>K1151</b>	ROTATION: <b>REVERSIBLE</b>	WEIGHT: <b>- Kg.</b>	CUSTOMER:
<b>KULTHORN ELECTRIC CO.,LTD.</b>		DRAWN BY: <b>PICHART</b>	CHECKED BY:	APPROVED BY:
		UNIT: <input checked="" type="checkbox"/> MM <input type="checkbox"/> INCH	SCALE: NONE -	DWG. NO.:
			<b>OUTLINE MOTOR DRAWING</b>	
			<b>82KTJ1-1254</b>	