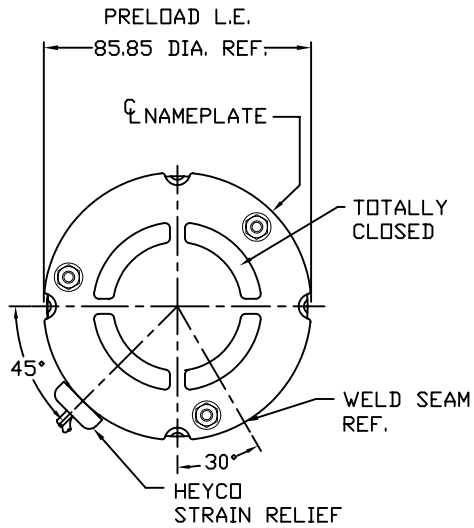
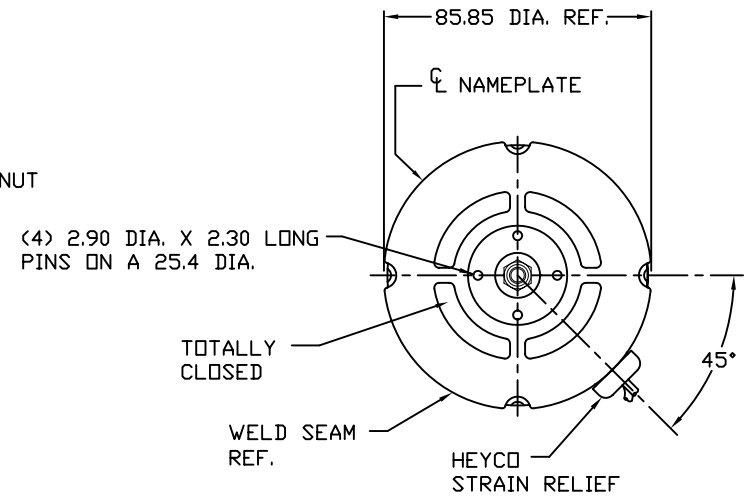
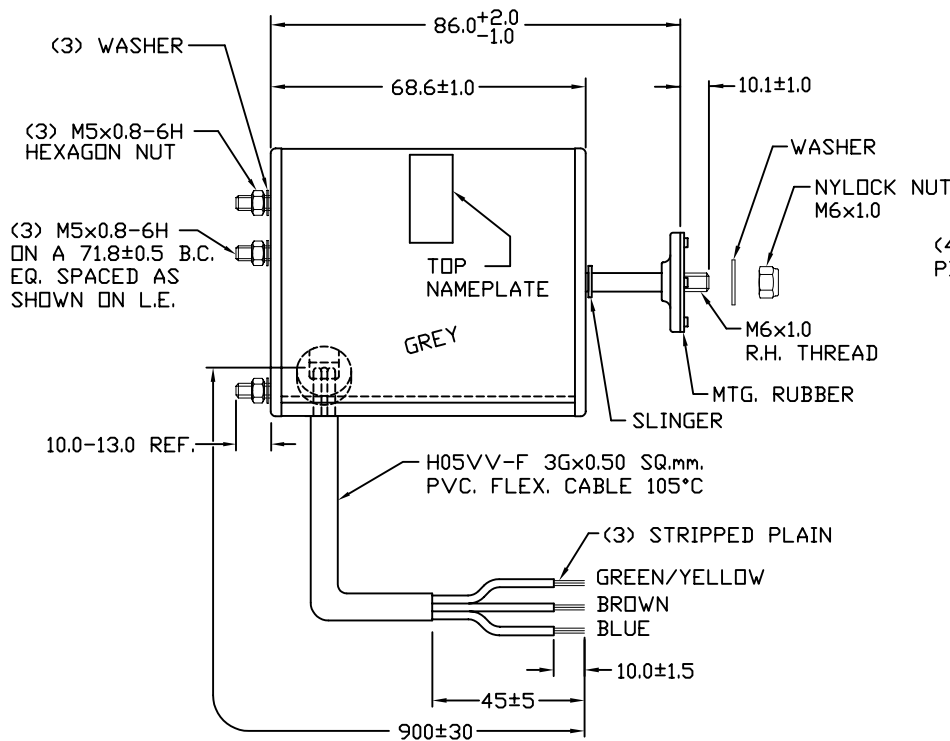


CUSTOMER IS SOLELY RESPONSIBLE FOR MOTOR PERFORMANCE AND SUITABILITY IN APPLICATIONS FOR CUSTOMER'S USES.

THIS MOTOR IS INTENDED FOR SAMPLING AND CUSTOMER APPROVAL ONLY. NO APPLICATION FITNESS APPROVAL IS IMPLIED AS THAT CAN ONLY BE DETERMINED BY THE CUSTOMER.



LEAD END VIEW



OPPOSITE LEAD END VIEW

GENERAL SPECIFICATION

- | | |
|-----------------------------|--|
| 1. MOTOR TYPE | SHADED POLE MOTOR |
| MOTOR DUTY | CONTINUOUS AIR OVER MOTOR |
| 2. MOTOR MODEL | KJB2M4702 |
| 3. MOTOR DETAILS | 240V 50Hz 0.32A 1ø 4P 13Wout
1300RPM
CONDENSING UNIT |
| APPLICATION | (3) M5x0.8 STUD SIDE OF L.E.
(HORIZONTAL DIRECTION) |
| MOUNTING METHOD | |
| 4. MATERIAL DETAILS | |
| (1) SHELL | COLD ROLLED STEEL |
| (2) END HEAD | ADC 12 ALUMINIUM |
| (3) SHAFT | S45C WITH ZINC PHOS. WITH AN ANTI-OXIDIZATION COATING #608ZZ |
| (4) BALL BEARING | H05VV-F 3Gx0.50 SQ.mm. |
| (5) LEAD WIRE (MULTI CORE) | PVC. FLEXIBLE CABLE 105°C |
| 5. MECHANICAL SPECIFICATION | |
| (1) ROTATION OF MOTOR | CLOCKWISE FROM LEAD END |
| (2) PRELOAD (WAVE WASHER) | SIDE OF LEAD END |
| (3) CONCENTRICITY OF SHAFT | 0.05 mm. T.I.R. MAX.
AT 15.0 mm. FROM SHAFT END |

NOTE :
1. BARCODE DATA IS KJB2M4702

	KULTHORN		
	ELECTRIC CO.,LTD.		
KJB2M4702		SER.XXXXXXXX	
240V	50Hz	0.32A	13Wout
1300RPM	AIR OVER MOTOR		
P/N MPB207-2		THERMALLY PROTECTED	
128 BARCODE FORMAT		MADE IN THAILAND	
>>> ROTATION <<<			

NAME PLATE

MOTOR MODEL: KJB2M4702	ELECTRICAL PER. SAMPLE NO. K1051-1	ROTATION: CWLE	WEIGHT: 1.15 Kg.	CUSTOMER:
KULTHORN ELECTRIC CO.,LTD.		DRAWN BY: PICHART	CHECKED BY:	APPROVED BY:
UNIT: <input checked="" type="checkbox"/> MM <input type="checkbox"/> INCH		SCALE: NONE -		
			DWG. NO.:	82KTJ1-1275

OUTLINE MOTOR DRAWING