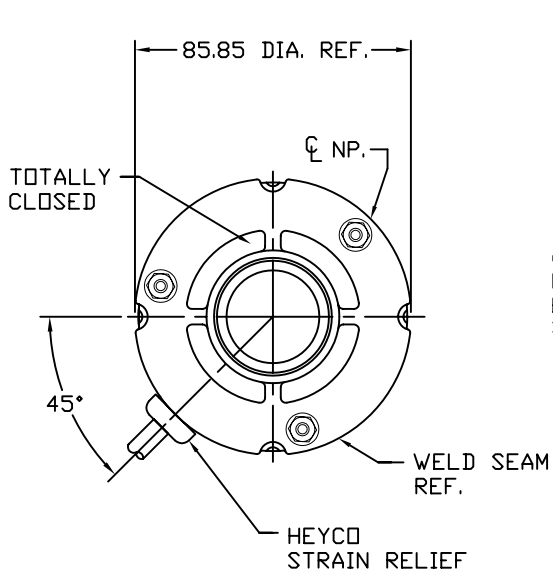
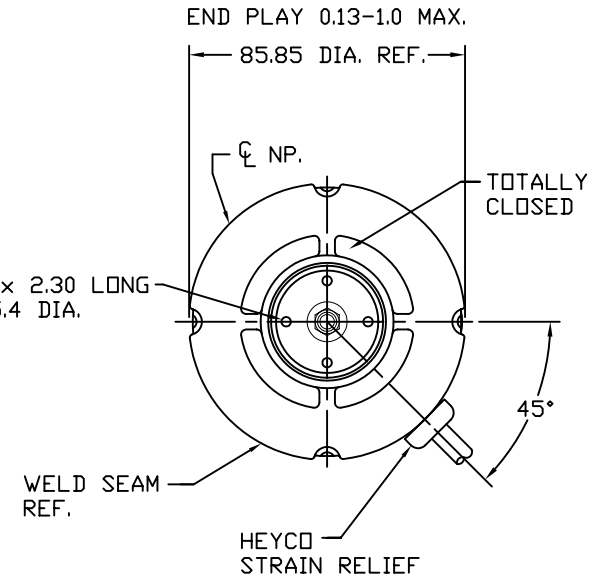
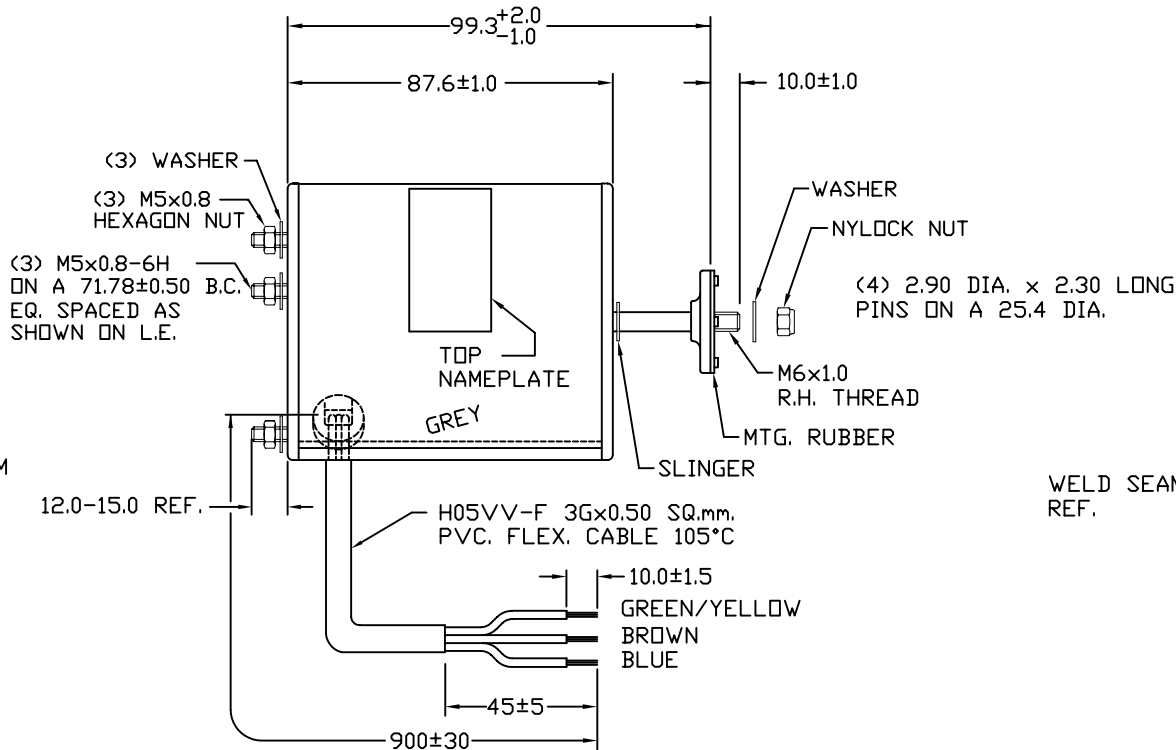


CUSTOMER IS SOLELY RESPONSIBLE FOR MOTOR PERFORMANCE AND SUITABILITY IN APPLICATIONS FOR CUSTOMER'S USES.

THIS MOTOR IS INTENDED FOR SAMPLING AND CUSTOMER APPROVAL ONLY. NO APPLICATION FITNESS APPROVAL IS IMPLIED AS THAT CAN ONLY BE DETERMINED BY THE CUSTOMER.



LEAD END VIEW



OPPOSITE LEAD END VIEW

GENERAL SPECIFICATION

- | | |
|-----------------------------|---|
| 1. MOTOR TYPE | SHADED POLE MOTOR |
| MOTOR DUTY | CONTINUOUS AIR OVER MOTOR |
| 2. MOTOR MODEL | KJA2R4701 |
| 3. MOTOR DETAILS | 240V 50Hz 0.40A 1Ø 4P 20W 1300RPM |
| APPLICATION | CONDENSING UNIT |
| MOUNTING METHOD | (3) M5x0.8 STUD SIDE OF L.E. HORIZONTAL DIRECTIONS |
| 4. MATERIAL DETAILS | |
| (1) SHELL | COLD ROLLED STEEL |
| (2) END HEAD | ADC 12 ALUMINIUM |
| (3) SHAFT | S45C WITH ZINC PHOS. WITH AN ANTI-OXIDIZATION COATING |
| (4) SLEEVE BEARING | SINTERED IRON |
| (5) LEAD WIRE | H05VV-F 3Gx0.50 SQ.mm. PVC. FLEXIBLE CABLE 105°C |
| (MULTI CORE) | |
| 5. MECHANICAL SPECIFICATION | |
| (1) ROTATION OF MOTOR | CLOCKWISE FROM LEAD END |
| (2) END PLAY | 0.13-1.0mm. MAX. |
| (3) CONCENTRICITY OF SHAFT | 0.05mm. T.I.R. MAX. AT 15.0mm. FROM SHAFT END |

NOTE :
1. BARCODE DATA IS KJA2R4701

	KULTHORN	N2664
	ELECTRIC CO.,LTD.	
THERMALLY PROTECTED		
MODEL KJA2R4701 SER.XYXXXXX		
240V	50Hz	0.40A
1300RPM	AIR OVER MOTOR	
128 BARCODE FORMAT		MADE IN THAILAND
>>> ROTATION <<<		

NAMEPLATE

MOTOR MODEL: KJA2R4701	ELECTRICAL PER. SAMPLE NO. K0497-1	ROTATION: CWLE	WEIGHT: - Kg.	CUSTOMER:
KULTHORN ELECTRIC CO.,LTD.		DRAWN BY: PICHART	CHECKED BY:	APPROVED BY:
UNIT: <input checked="" type="checkbox"/> MM <input type="checkbox"/> INCH		SCALE: NONE -		
			DWG. NO.:	82KTJ1-1278