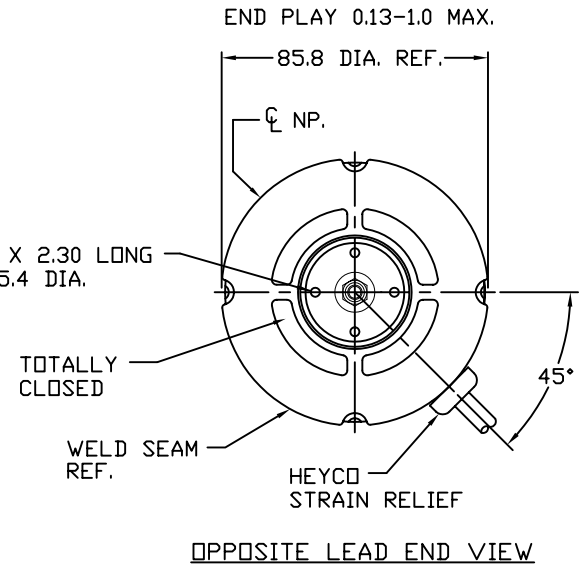
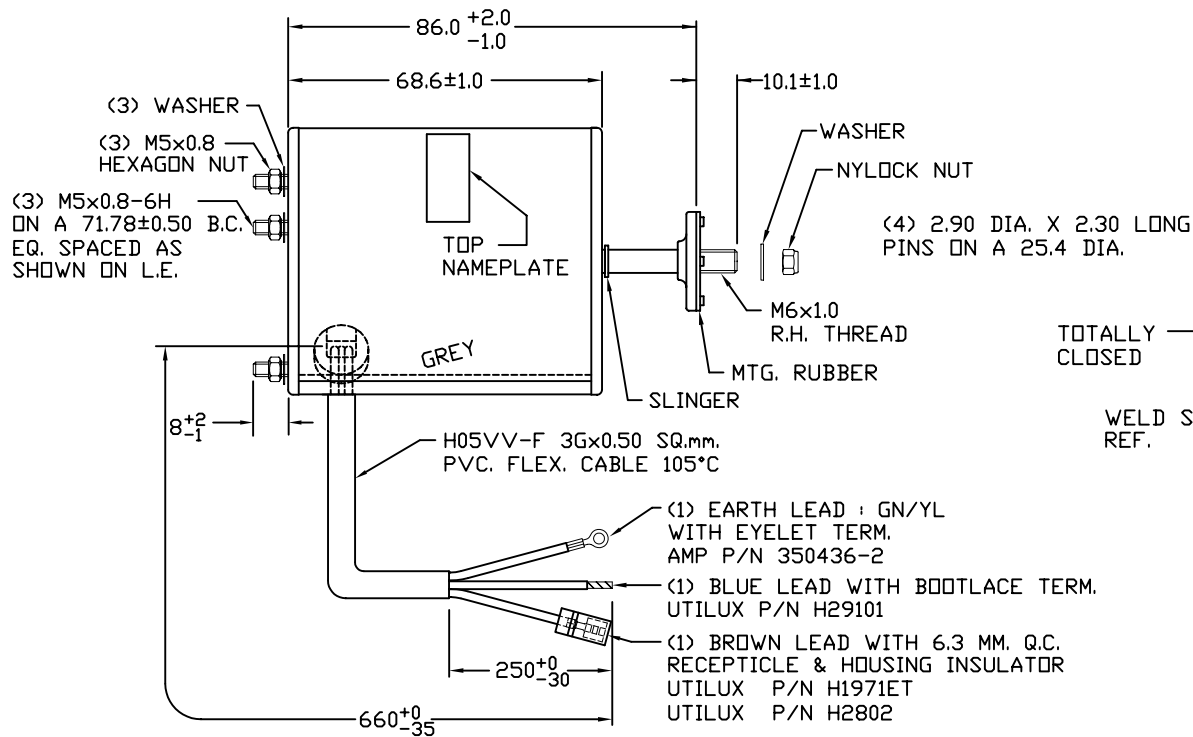
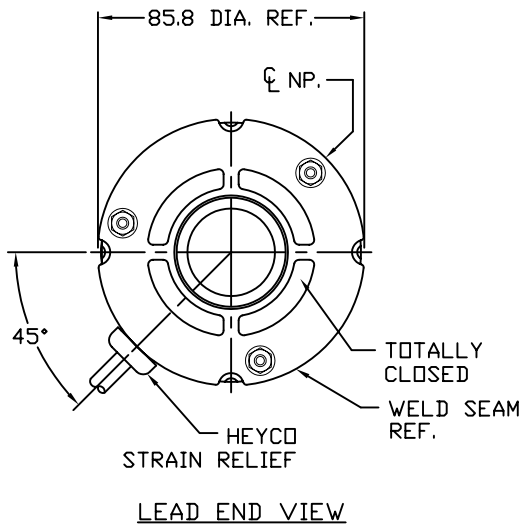


CUSTOMER IS SOLELY RESPONSIBLE FOR MOTOR PERFORMANCE AND SUITABILITY IN APPLICATIONS FOR CUSTOMER'S USES.

THIS MOTOR IS INTENDED FOR SAMPLING AND CUSTOMER APPROVAL ONLY. NO APPLICATION FITNESS APPROVAL IS IMPLIED AS THAT CAN ONLY BE DETERMINED BY THE CUSTOMER.



**GENERAL SPECIFICATION**

- 1. MOTOR TYPE: SHADED POLE MOTOR
- 2. MOTOR DUTY: CONTINUOUS AIR OVER MOTOR
- 3. MOTOR MODEL: KJA2M4701
- 3. MOTOR DETAILS: 240V 50Hz 0.32A 1Ø 4P 13Wout 1300RPM
- APPLICATION: CONDENSING UNIT
- MOUNTING METHOD: (3) M5x0.8 STUD SIDE OF L.E. (HORIZONTAL DIRECTIONS)
- 4. MATERIAL DETAILS:
  - (1) SHELL: COLD ROLLED STEEL
  - (2) END HEAD: ADC 12 ALUMINIUM
  - (3) SHAFT: S45C WITH ZINC PHOS. WITH AN ANTI-OXIDIZATION COATING
  - (4) SLEEVE BEARING: SINTERED IRON
  - (5) LEAD WIRE: H05VV-F 3Gx0.50 SQ.mm. PVC. FLEXIBLE CABLE 105°C
- 5. MECHANICAL SPECIFICATION:
  - (1) ROTATION OF MOTOR: CLOCKWISE FROM LEAD END
  - (2) END PLAY: 0.13-1.0mm. MAX.
  - (3) CONCENTRICITY OF SHAFT: 0.05mm. T.I.R. MAX. AT 5.0mm. FROM SHAFT END

**KULTHORN ELECTRIC CO.,LTD.**  
THERMALLY PROTECTED

MODEL KJA2M4701 SER.XYXXXXXX

240V 50Hz 0.32A 13Wout  
1300RPM AIR OVER MOTOR

MADE IN THAILAND

128 BARCODE FORMAT

N2664  
→ ROTATION ←

NOTE :  
1. BARCODE DATA IS KJA2M4701

NAMEPLATE

MOTOR MODEL: <b>KJA2M4701</b>	ELECTRICAL PER. SAMPLE NO. <b>K0184-8</b>	ROTATION: <b>CWLE</b>	WEIGHT: <b>1.00 Kg.</b>	CUSTOMER:
<b>KULTHORN ELECTRIC CO.,LTD.</b>		DRAWN BY: <b>PICHART</b>	CHECKED BY:	APPROVED BY:
		UNIT: <input checked="" type="checkbox"/> MM <input type="checkbox"/> INCH	SCALE: NONE -	
				<b>OUTLINE MOTOR DRAWING</b>
				<b>82KTJ1-1274</b>