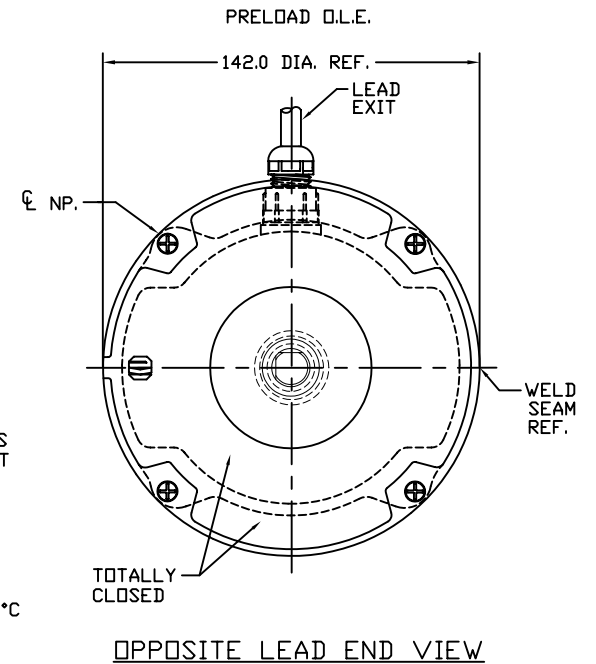
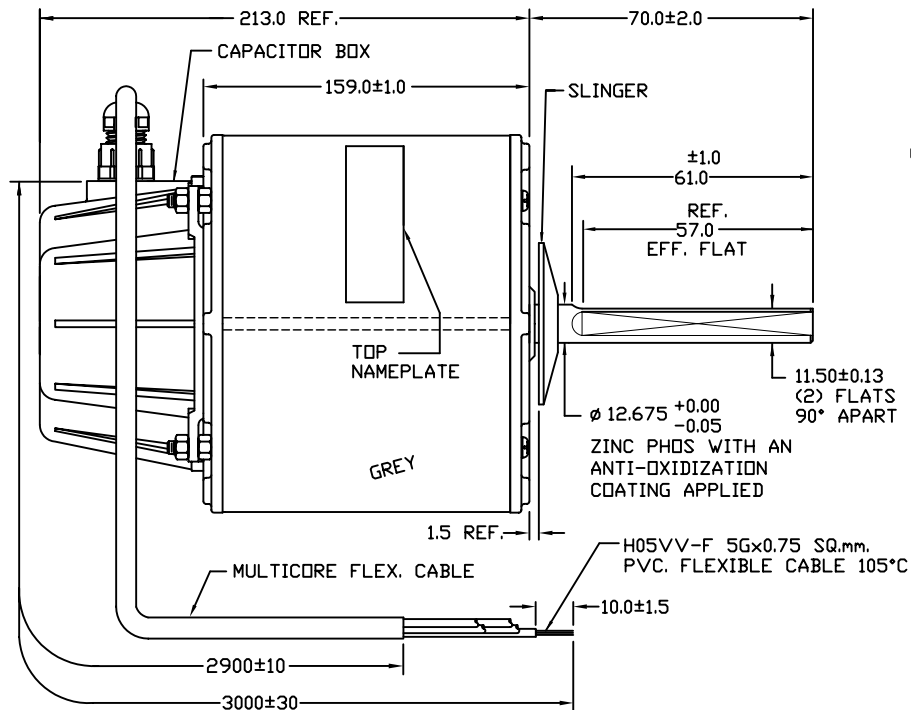
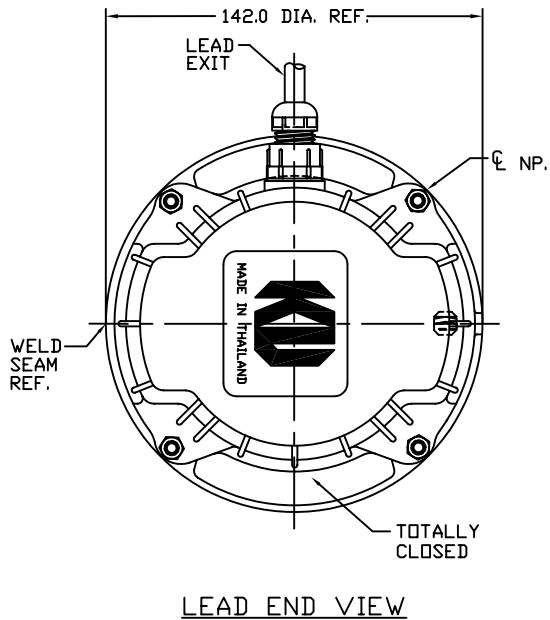


CUSTOMER IS SOLELY RESPONSIBLE FOR MOTOR PERFORMANCE AND SUITABILITY IN APPLICATIONS FOR CUSTOMER'S USES.

THIS MOTOR IS INTENDED FOR SAMPLING AND CUSTOMER APPROVAL ONLY. NO APPLICATION FITNESS APPROVAL IS IMPLIED AS THAT CAN ONLY BE DETERMINED BY THE CUSTOMER.

* MOTOR FITTED WITH C3 CLASS BEARINGS *



GENERAL SPECIFICATION

- 1. MOTOR TYPE
- 2. MOTOR MODEL
- 3. MOTOR DETAILS

CAPACITOR RUN MOTOR
CONTINUOUS AIR OVER MOTOR
B (130°C)
KHF3Q4701
240V 50Hz 2.47A 1ø 6P 410Wout
900/800/700RPM
10 µF 440 VAC CAPACITOR
CONDENSING UNIT
CLAMP ON THE MOTOR BODY
(ALL DIRECTION)

APPLICATION
MOUNTING METHOD

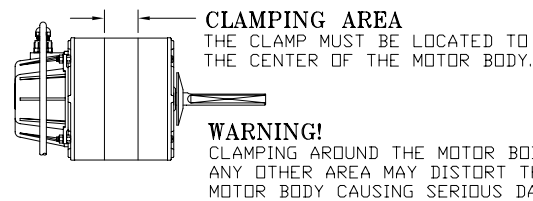
- 4. MATERIAL DETAILS

COLD ROLLED STEEL
ADC 12 ALUMINIUM
S45C WITH ZINC PHOS. WITH
AN ANTI-OXIDIZATION COATING
#6201 ZZ
H05VV-F 5Gx0.75 SQ.mm.
PVC. FLEXIBLE CABLE 105°C

- 5. MECHANICAL SPECIFICATION

- (1) ROTATION OF MOTOR
- (2) PRELOAD (WAVE WASHER)
- (3) CONCENTRICITY OF SHAFT

CLOCKWISE FROM LEAD END
SIDE OF OPPOSITE LEAD END
0.05mm. T.I.R. MAX.
AT 15.0mm. FROM SHAFT END



KULTHORN ELECTRIC CO.,LTD.	N2664 KHF3Q4701 SER.XXXYXXXXX 240V 50Hz 2.47A 410Wout 900/800/700RPM AIR OVER MOTOR CAP. 10 µF 440 VAC THERMALLY PROTECTED	SWITCH LINE N
		CAPACITOR GND-GN/YL
>>> ROTATION >>>		MADE IN THAILAND

NAMEPLATE

MOTOR MODEL: KHF3Q4701	ELECTRICAL PER. SAMPLE NO. S0100 (K0913-3)	ROTATION: CWLE	WEIGHT: - Kg.	CUSTOMER:
KULTHORN ELECTRIC CO.,LTD.	DRAWN BY: PICHART	CHECKED BY:	APPROVED BY:	OUTLINE MOTOR DRAWING DWG. NO.:
	UNIT: <input checked="" type="checkbox"/> MM <input type="checkbox"/> INCH	SCALE: NONE -		