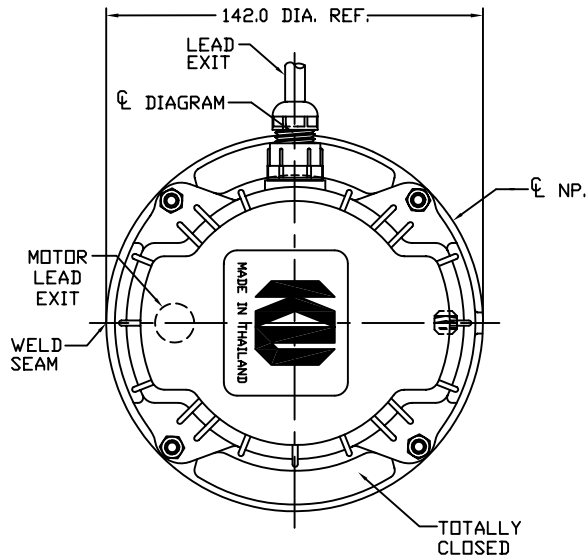
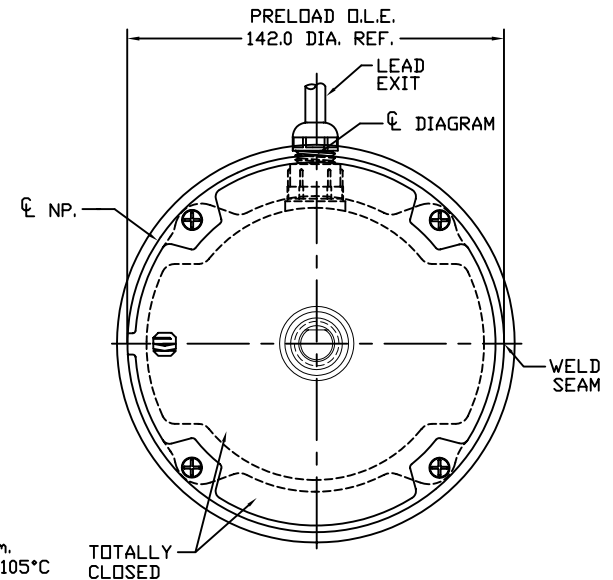
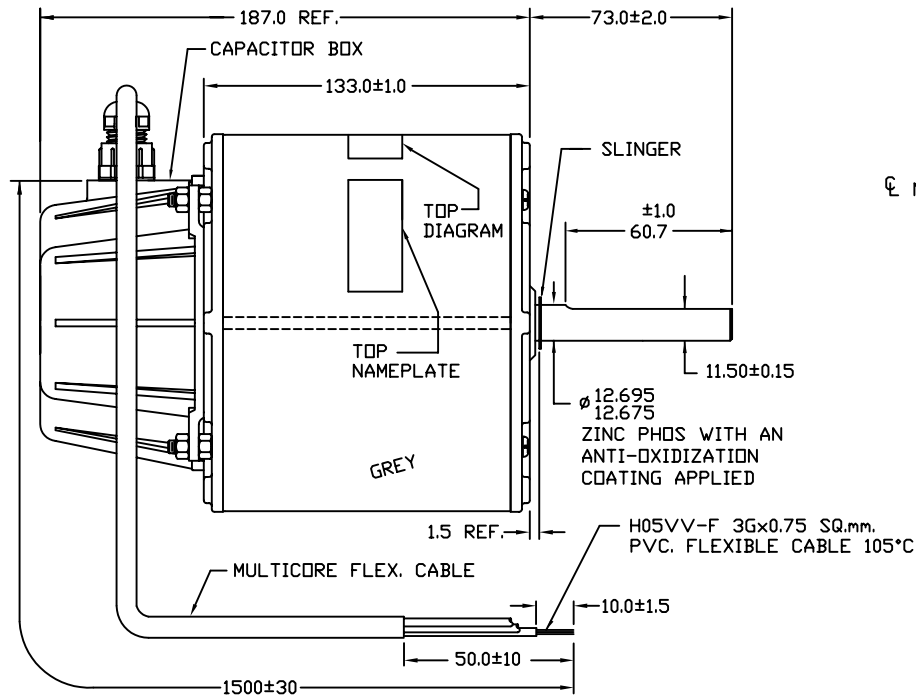


CUSTOMER IS SOLELY RESPONSIBLE FOR MOTOR PERFORMANCE AND SUITABILITY IN APPLICATIONS FOR CUSTOMER'S USES.

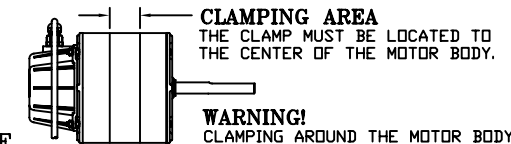
THIS MOTOR IS INTENDED FOR SAMPLING AND CUSTOMER APPROVAL ONLY. NO APPLICATION FITNESS APPROVAL IS IMPLIED AS THAT CAN ONLY BE DETERMINED BY THE CUSTOMER.



LEAD END VIEW



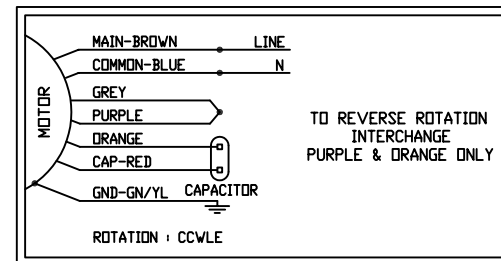
OPPOSITE LEAD END VIEW



GENERAL SPECIFICATION

- | | |
|---|---|
| <p>1. MOTOR TYPE
MOTOR DUTY
INSULATION CLASS</p> <p>2. MOTOR MODEL</p> <p>3. MOTOR DETAILS</p>
<p>APPLICATION
MOUNTING METHOD</p>
<p>4. MATERIAL DETAILS
(1) SHELL
(2) END HEAD
(3) SHAFT</p>
<p>(4) BALL BEARING
(5) LEAD WIRE</p>
<p>5. MECHANICAL SPECIFICATION
(1) ROTATION OF MOTOR
(2) PRELOAD (WAVE WASHER)
(3) CONCENTRICITY OF SHAFT</p> | <p>CAPACITOR RUN MOTOR
CONTINUOUS AIR OVER MOTOR
B (130°C)</p> <p>KHF3J4702
240V 50Hz 1.90A 1Ø 6P 250Wout
910RPM
4 µF 440 VAC CAPACITOR
CONDENSING UNIT
CLAMP ON THE MOTOR BODY
(ALL DIRECTION)</p>
<p>COLD ROLLED STEEL
ADC 12 ALUMINIUM
S45C WITH ZINC PHOS. WITH
AN ANTI-OXIDIZATION COATING
#6201 ZZ
H05VV-F 5Gx0.75 SQ.mm.
PVC. FLEXIBLE CABLE 105°C</p>
<p>REVERSIBLE
SIDE OF OPPOSITE LEAD END
0.05mm. T.I.R. MAX.
AT 15.0mm. FROM SHAFT END</p> |
|---|---|

NOTE : TO REVERSE ROTATION INTERCHANGE
PURPLE & ORANGE ONLY



DIAGRAM

	KULTHORN		ELECTRIC CO.,LTD.	
	KHF3J4702	SER.XXXXXXXX	240V	50Hz
910RPM	1.90A	250Wout	AIR OVER MOTOR	
CAP. 4 µF 440 VAC		THERMALLY PROTECTED		
MADE IN THAILAND		← ROTATION →		

NAMEPLATE

MOTOR MODEL: KHF3J4702	ELECTRICAL PER. SAMPLE NO. S0180-1	ROTATION: REVERSIBLE	WEIGHT: 6.90 Kg.	CUSTOMER:
KULTHORN ELECTRIC CO.,LTD.		DRAWN BY: PICHART	CHECKED BY:	APPROVED BY:
UNIT: <input checked="" type="checkbox"/> MM <input type="checkbox"/> INCH		SCALE: NONE -	DWG. NO.: 82KTH1-1122	

OUTLINE MOTOR DRAWING