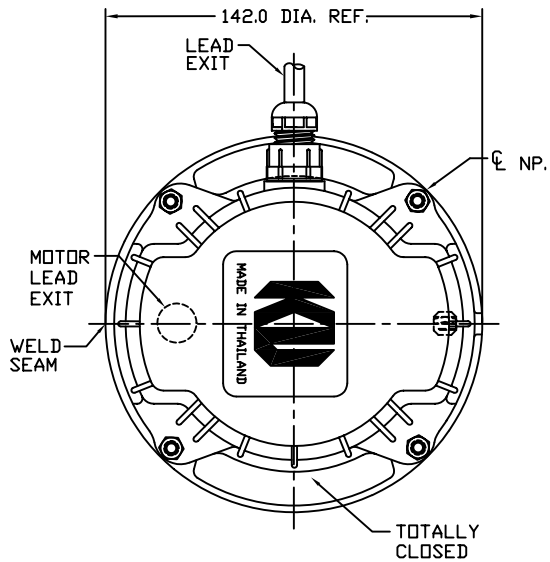
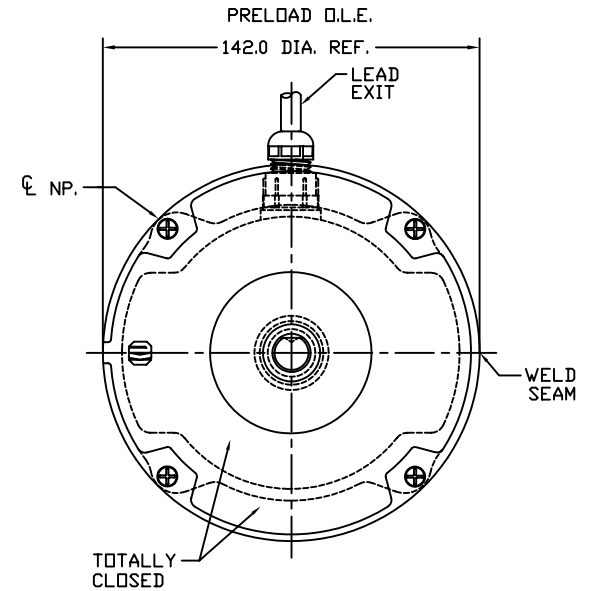
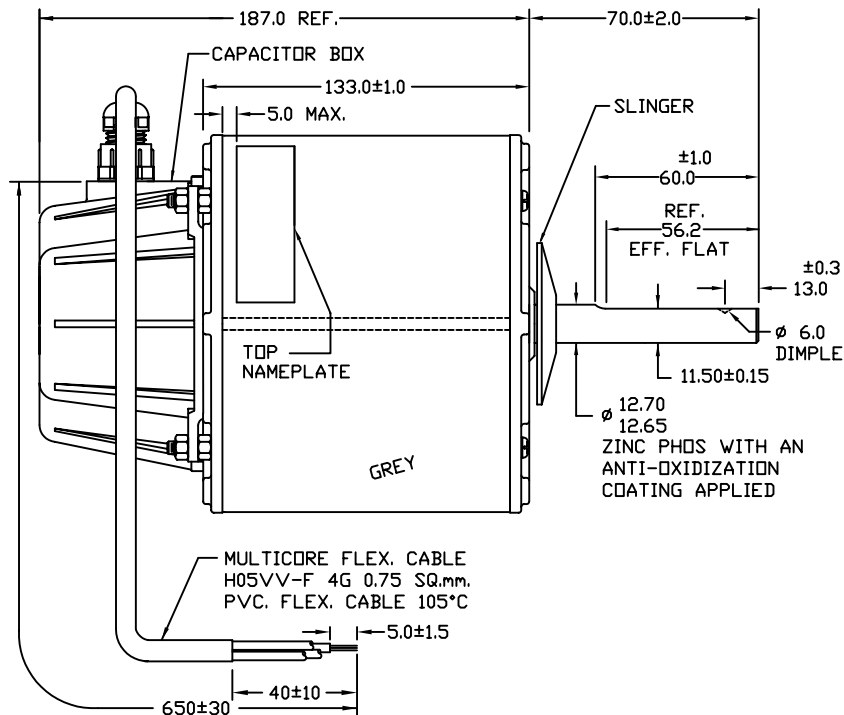


CUSTOMER IS SOLELY RESPONSIBLE FOR MOTOR PERFORMANCE AND SUITABILITY IN APPLICATIONS FOR CUSTOMER'S USES.

THIS MOTOR IS INTENDED FOR SAMPLING AND CUSTOMER APPROVAL ONLY. NO APPLICATION FITNESS APPROVAL IS IMPLIED AS THAT CAN ONLY BE DETERMINED BY THE CUSTOMER.



LEAD END VIEW



OPPOSITE LEAD END VIEW

GENERAL SPECIFICATION

- 1. MOTOR TYPE
- 2. MOTOR MODEL
- 3. MOTOR DETAILS

CAPACITOR RUN MOTOR  
 CONTINUOUS AIR OVER MOTOR  
 B (130°C)  
 KHF2K4704  
 240V 50Hz 2.00A 1Ø 4P 325Wout  
 1300/850RPM  
 10 µF 440 VAC CAPACITOR  
 CONDENSING UNIT  
 CLAMP ON THE MOTOR BODY  
 (ALL DIRECTION)

- APPLICATION
- MOUNTING METHOD

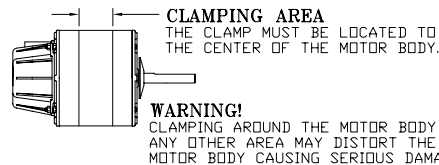
- 4. MATERIAL DETAILS
- (1) SHELL
- (2) END HEAD
- (3) SHAFT

COLD ROLLED STEEL  
 ADC 12 ALUMINIUM  
 S45C WITH ZINC PHOS. WITH  
 AN ANTI-OXIDIZATION COATING  
 #6201 ZZ  
 H05VV-F 4G 0.75SQ.mm.  
 PVC. FLEX. CABLE 105°C

- 5. MECHANICAL SPECIFICATION

- (1) ROTATION OF MOTOR
- (2) PRELOAD (WAVE WASHER)
- (3) CONCENTRICITY OF SHAFT

COUNTER CLOCKWISE FROM LEAD END  
 SIDE OF OPPOSITE LEAD END VIEW  
 0.05mm. T.I.R. MAX.  
 AT 15.0mm. FROM SHAFT END



**KULTHORN**  
**ELECTRIC CO.,LTD.**  
 THERMALLY PROTECTED  
 KHF2K4704 SER.XXXXXXXX  
 240V 50Hz 2.00A 325Wout  
 1300/850RPM AIR OVER MOTOR  
 CAP. 10 µF 440 VAC

MOTOR

LOW-BLACK SWITCH

HIGH-BROWN LINE

COMMON-BLUE N

CAP-BLUE CAPACITOR

AUX-ORANGE

GND-GN/YL

← ROTATION →

MADE IN THAILAND

NAMEPLATE

MOTOR MODEL: <b>KHF2K4704</b>	ELECTRICAL PER. SAMPLE NO. <b>S0503-2</b>	ROTATION: <b>CCWLE</b>	WEIGHT: <b>7.60 Kg.</b>	CUSTOMER:
<b>KULTHORN</b> <b>ELECTRIC CO.,LTD.</b>		DRAWN BY: <b>PICHART</b>	CHECKED BY:	APPROVED BY:
		UNIT: <input checked="" type="checkbox"/> MM <input type="checkbox"/> INCH	SCALE: NONE -	