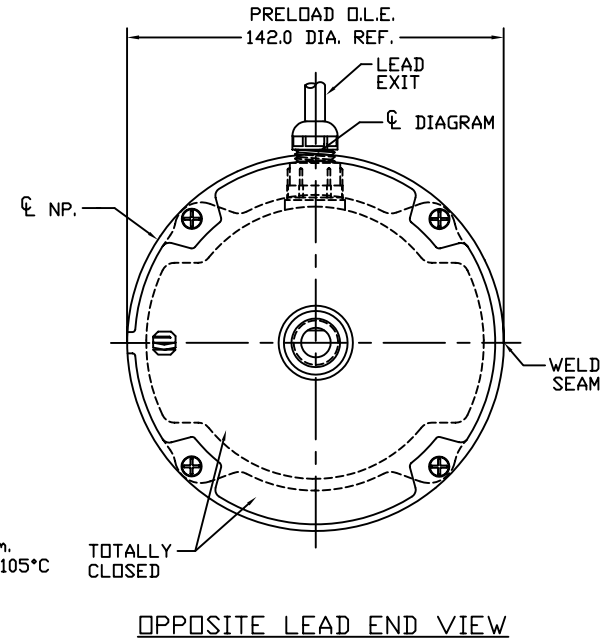
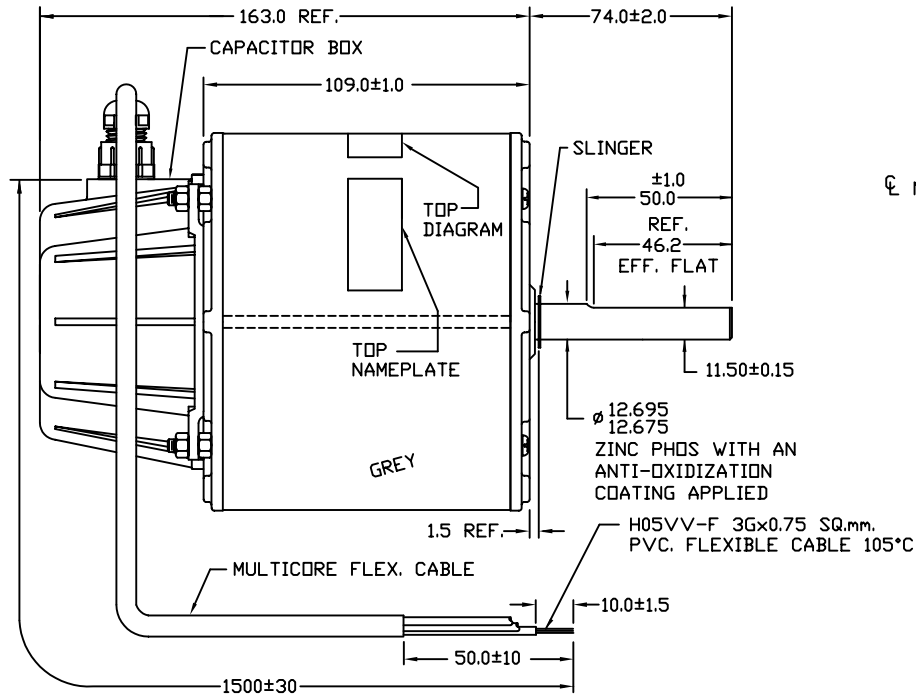
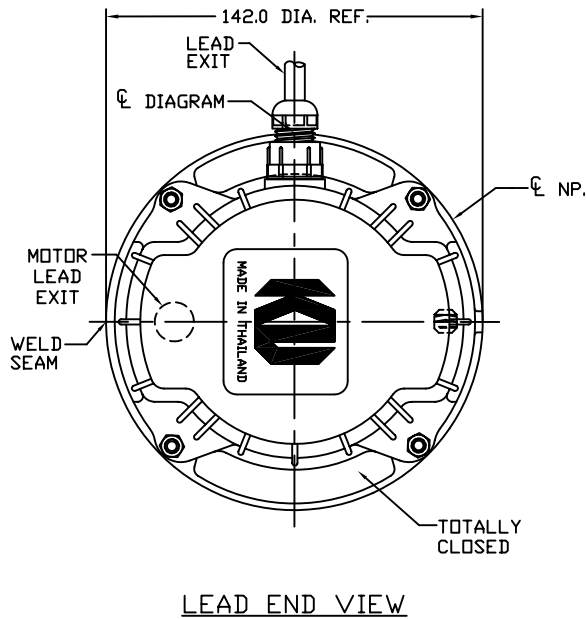


CUSTOMER IS SOLELY RESPONSIBLE FOR MOTOR PERFORMANCE AND SUITABILITY IN APPLICATIONS FOR CUSTOMER'S USES.

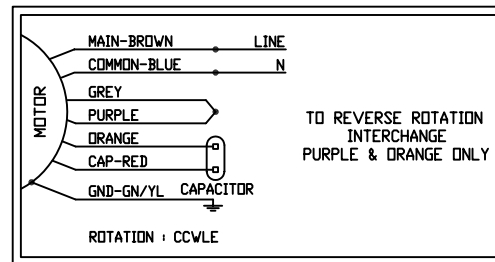
THIS MOTOR IS INTENDED FOR SAMPLING AND CUSTOMER APPROVAL ONLY. NO APPLICATION FITNESS APPROVAL IS IMPLIED AS THAT CAN ONLY BE DETERMINED BY THE CUSTOMER.



GENERAL SPECIFICATION

- | | |
|---|---|
| <p>1. MOTOR TYPE
MOTOR DUTY
2. INSULATION CLASS
3. MOTOR MODEL
MOTOR DETAILS</p> <p>APPLICATION
MOUNTING METHOD</p> <p>4. MATERIAL DETAILS
(1) SHELL
(2) END HEAD
(3) SHAFT</p> <p>(4) BALL BEARING
(5) LEAD WIRE</p> <p>5. MECHANICAL SPECIFICATION
(1) ROTATION OF MOTOR
(2) PRELOAD (WAVE WASHER)
(3) CONCENTRICITY OF SHAFT</p> | <p>CAPACITOR RUN MOTOR
CONTINUOUS AIR OVER MOTOR
B (130°C)
KHF2F4702
240V 50Hz 1.08A 1ø 4P 180Wout
1400RPM
4 µF 440 VAC CAPACITOR
CONDENSING UNIT
CLAMP ON THE MOTOR BODY
(ALL DIRECTION)</p> <p>COLD ROLLED STEEL
ADC 12 ALUMINIUM
S45C WITH ZINC PHOS. WITH
AN ANTI-OXIDIZATION COATING
#6201 ZZ
H05VV-F 5Gx0.75 SQ.mm.
PVC. FLEXIBLE CABLE 105°C</p> <p>REVERSIBLE
SIDE OF OPPOSITE LEAD END
0.05mm. T.I.R. MAX.
AT 15.0mm. FROM SHAFT END</p> |
|---|---|

**NOTE : TO REVERSE ROTATION INTERCHANGE
PURPLE & ORANGE ONLY**



CLAMPING AREA
THE CLAMP MUST BE LOCATED TO THE CENTER OF THE MOTOR BODY.

WARNING!
CLAMPING AROUND THE MOTOR BODY ANY OTHER AREA MAY DISTORT THE MOTOR BODY CAUSING SERIOUS DAMAGE.

**KULTHORN
ELECTRIC CO.,LTD.**

KHF2F4702 SER.XXXXXXXX

240V 50HZ 1.08A 180Wout

1400RPM AIR OVER MOTOR

CAP. 4 µF 440 VAC THERMALLY PROTECTED

MADE IN THAILAND ← ROTATION →

MOTOR MODEL: KHF2F4702	ELECTRICAL PER. SAMPLE NO. S0181	ROTATION: REVERSIBLE	WEIGHT: 5.20 Kg.	CUSTOMER:
KULTHORN ELECTRIC CO.,LTD.		DRAWN BY: PICHART	CHECKED BY:	APPROVED BY:
		UNIT: <input checked="" type="checkbox"/> MM <input type="checkbox"/> INCH	SCALE: NONE -	