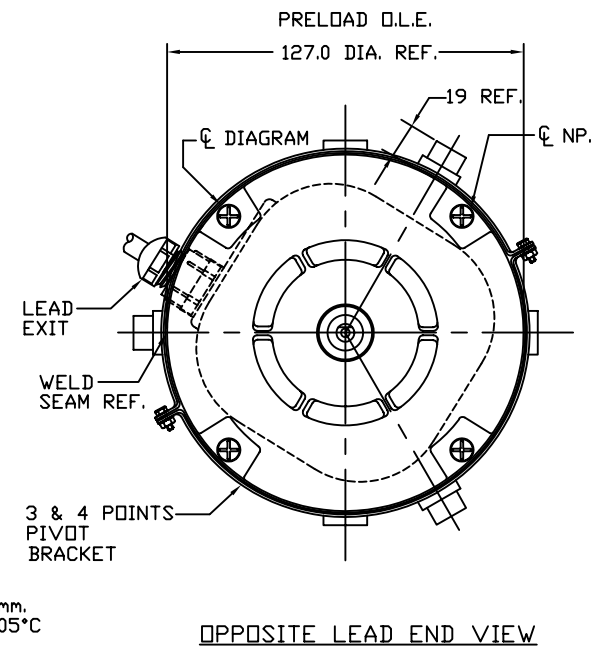
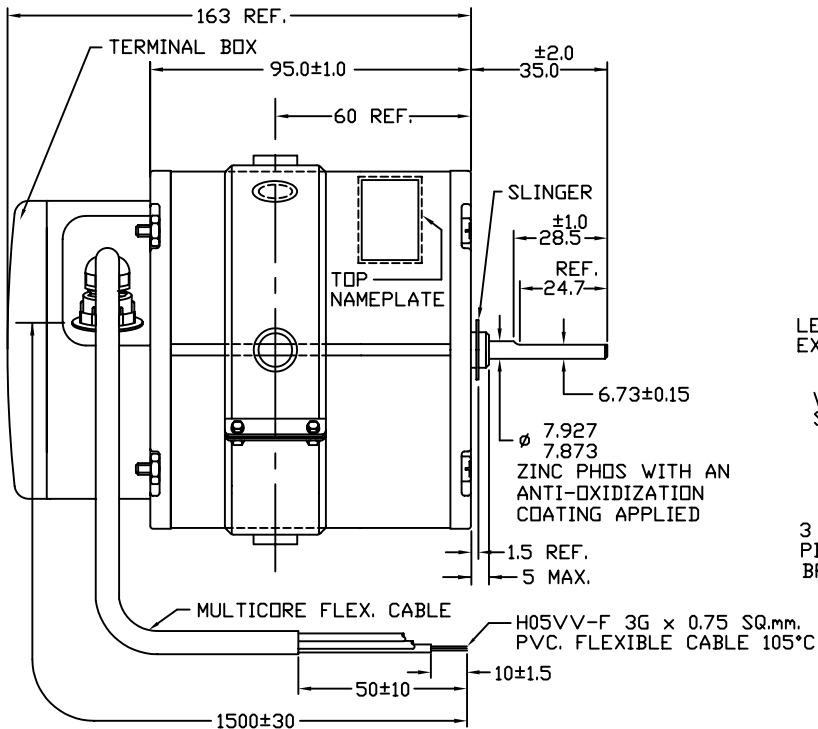
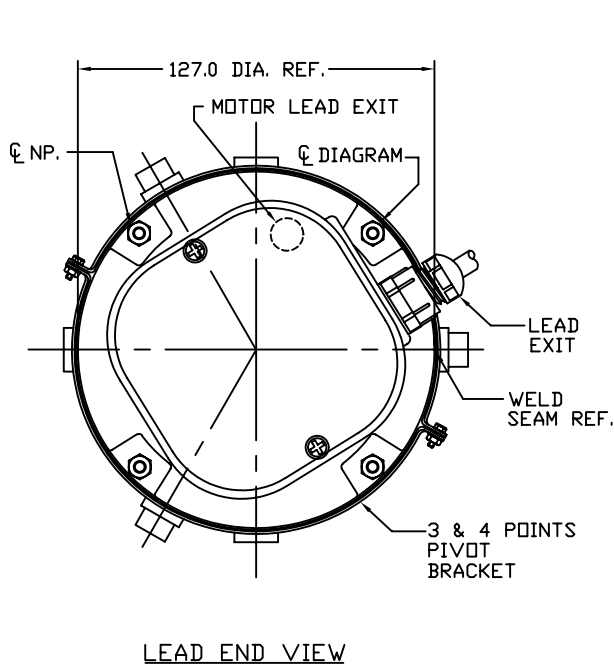


CUSTOMER IS SOLELY RESPONSIBLE FOR MOTOR PERFORMANCE AND SUITABILITY IN APPLICATIONS FOR CUSTOMER'S USES.

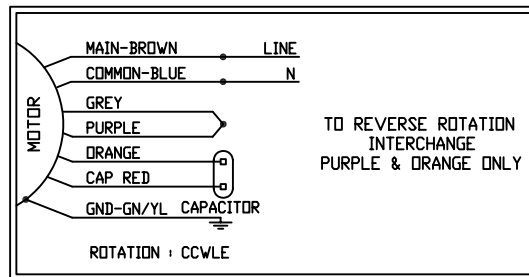
THIS MOTOR IS INTENDED FOR SAMPLING AND CUSTOMER APPROVAL ONLY. NO APPLICATION FITNESS APPROVAL IS IMPLIED AS THAT CAN ONLY BE DETERMINED BY THE CUSTOMER.






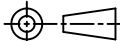
GENERAL SPECIFICATION

- | | |
|-----------------------------|---|
| 1. MOTOR TYPE | CAPACITOR RUN MOTOR |
| 2. MOTOR MODEL | KDF2F4702 |
| 3. MOTOR DETAILS | 415V 50Hz 0.33A 1 ϕ 4P 75W 1400RPM |
| | 2 μ F 440 VAC CAPACITOR |
| APPLICATION | CONDENSING UNIT |
| MOUNTING METHOD | MULTI-POINT MOUNTING BRACKET |
| 4. MATERIAL DETAILS | |
| (1) SHELL | COLD ROLLED STEEL |
| (2) END HEAD | ALUMINUM CAST SEA 12 K.U. #115P4 |
| (3) SHAFT | S45C WITH ZINC PHOS. WITH AN ANTI-OXIDIZATION COATING |
| | #6201 ZZ |
| | H05VV-F 3Gx0.75 SQ.mm. PVC. FLEXIBLE CABLE 105°C |
| 5. MECHANICAL SPECIFICATION | |
| (1) ROTATION OF MOTOR | REVERSIBLE |
| (2) PRELOAD (WAVE WASHER) | SIDE OF OPPOSITE LEAD END |
| (3) CONCENTRICITY OF SHAFT | 0.05mm. T.I.R. MAX. AT 15.0mm. FROM SHAFT END |

NOTE : TO REVERSE ROTATION INTERCHANGE PURPLE & ORANGE ONLY



		KULTHORN ELECTRIC CO.,LTD.	
KDF2F4702		SER.XXXXXXXXXX	
415V	50HZ	0.33A	75Wout
1400RPM			AIR OVER MOTOR
CAP. 2 μ F	440 VAC		THERMALLY PROTECTED
MADE IN THAILAND		← ROTATION →	

MOTOR MODEL:	ELECTRICAL PER. SAMPLE NO.	ROTATION:	WEIGHT:	CUSTOMER:
KDF2F4702	S0227	REVERSIBLE	- Kg.	
 KULTHORN ELECTRIC CO.,LTD.		DRAWN BY:	CHECKED BY:	APPROVED BY:
		PICHART		
 KULTHORN ELECTRIC CO.,LTD.		UNIT:	SCALE:	DWG. NO.:
		<input checked="" type="checkbox"/> MM <input type="checkbox"/> INCH	NONE -	 82KTD1-1024