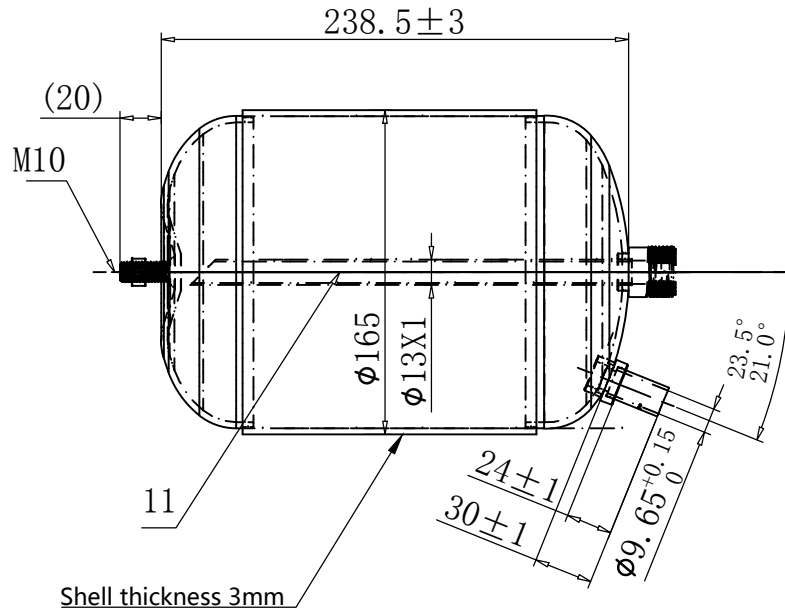
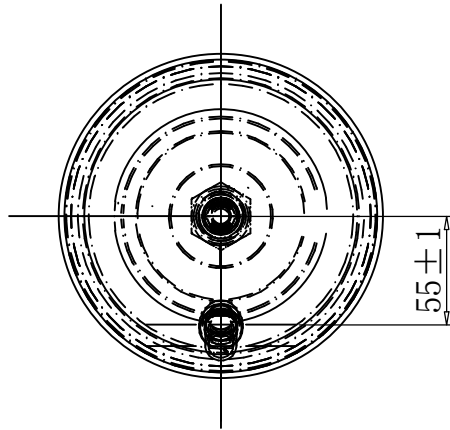


Freddox

A/2 22年5月24日



**LIQUID RECEIVER**

Type: PKC-433

Inlet: 3/8"ODF

Outlet: 3/8"ODF

Design Pressure: 3.3MPa

Test Pressure: 4.2MPa

For Use With: R22/R134A/R404A

R448A/R449A

Min/Max Temp: -40°C ~ +120°C

Volume: 4.0L

Date: 2023-03-30

No: 23000103-433-01

Made in China



Technical requirement:

1. Max. Design pressure: 3.3Mpa, as determined by burst pressure 16.5Mpa, burst pressure is 5 times than design pressure;
2. Volume : 4L;
3. All vessels are pressure tested after manufacture;
4. Undeclared tolerance according to GB/1804-v;

12	XJS-003	Rubber plug	Rubber	1	
11	GG-PKC433-CYG	Outlet tube	Q195 steel	1	
10	TBB-M1008a-LM	Nut	galvanized steel	1	
9	TBB-M101527-LS	Bolt	nickel plated steel	1	
8	TB-16532-XDG	Cap	steel Cold plate DC01	1	
7	GG-PKC433-TT	Shell	SS400 steel	1	
6	TB-16532-19A-3-SDG	Cap	steel Cold plate DC01	1	
5	1-14UNF-24	Connection	nickel plated steel seamless pipe	1	
2	TG-1328-TJG	Copper Connection	TP2Y2 copper	1	
1	GG-1306-GJG	Bush	Q235 steel	1	
No.	Drawing No	Material of Construction	Material	No.	Remark

				Product name	Model	Material
				LIQUID RECEIVER	PKC-433	

标记	处数	更改文件号	签字	日期	图 纸 版 本	重 量	比 例
设计				日期			3:8
制图				工 艺			
校对				标 准			
审核				批 准			
					共 页	第 页	

Freddox