

Cables

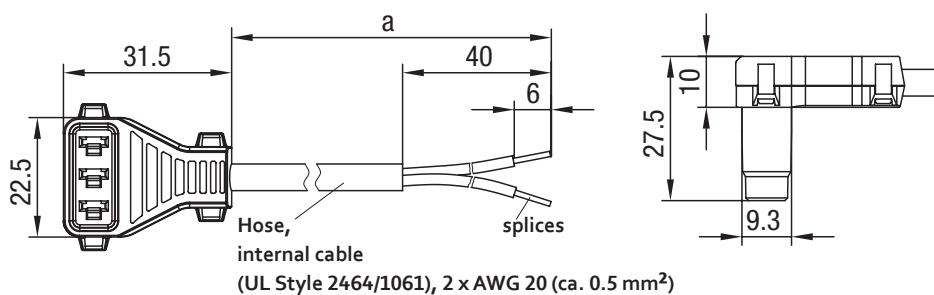
for axial and diagonal fans

Fully encapsulated ESM motor connector

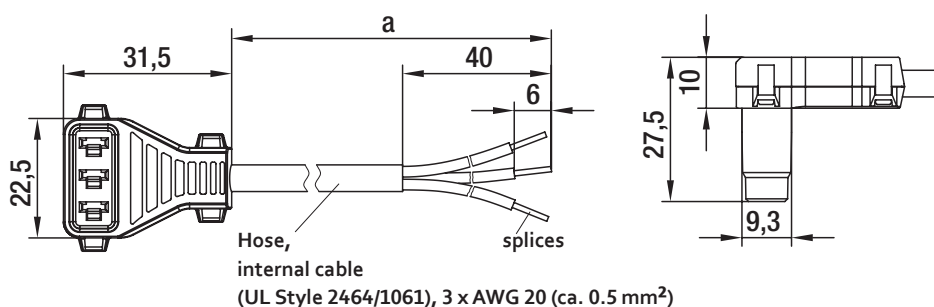
Part number	a (mm)	115/230 VAC 2-wire	115/230 VAC 3-wire	24 VDC 4-wire	Hose
15201-4-1040	450	X			
15202-4-1040	1500	X			
15203-4-1040	2000	X			
11200-4-1040	450		X		UL-compliant cable, connector sealed. Customized cables possible.
11205-4-1040	600		X		
11202-4-1040	1500		X		
11204-4-1040	2000		X		
10710-4-1040	450			X	
10711-4-1040	1500			X	

Subject to change
Not for W1G130-AA49-01 and W1G130-AA25-01.
Customized versions possible on request.

115/230 VAC
2-wire



115/230 VAC
3-wire



24 VDC
4-wire

