

AXIAL FANS



The reliability and craftsmanship of the Freddox Axial Fan range is a remarkable solution to provide trouble-free airflow on condensers, evaporators and other refrigeration equipment.

Freddox Axial Fans are an external rotor fan motor which offer a compact design, high efficiency and energy conservation. Being easy to install and available in 300, 350 and 450mm sizes makes them ideal to keep on hand for emergency breakdowns.

Freddox Axial Fans are also well equipped to handle Australia's harsh conditions due to the IP54 rating protection and operating temperature range from -30 to +60 degrees.

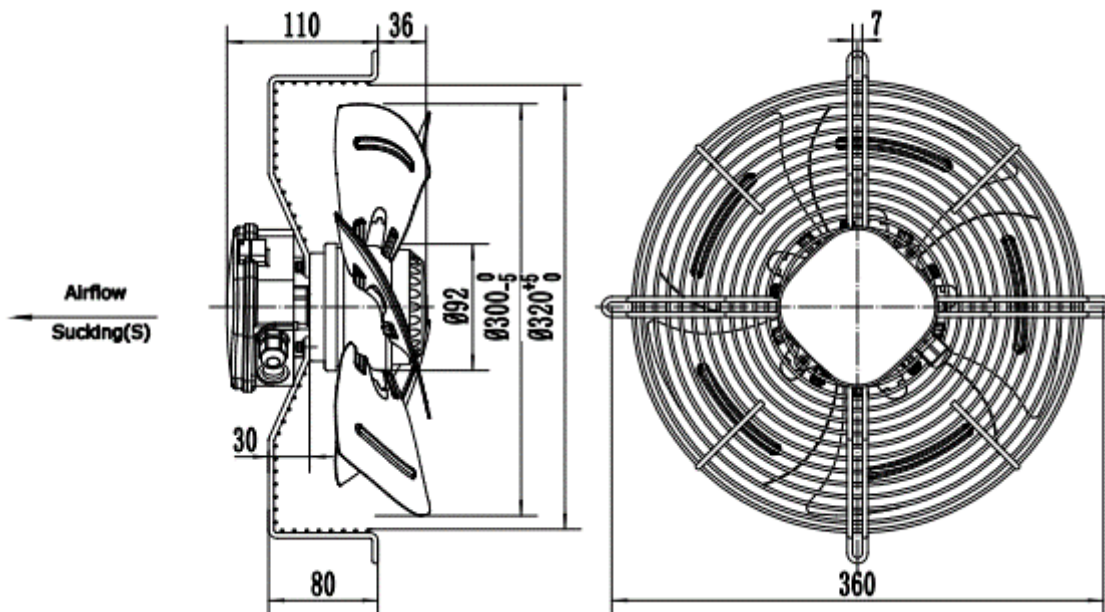
You can trust Freddox Axial Fans to deliver consistent reliability time and time again.



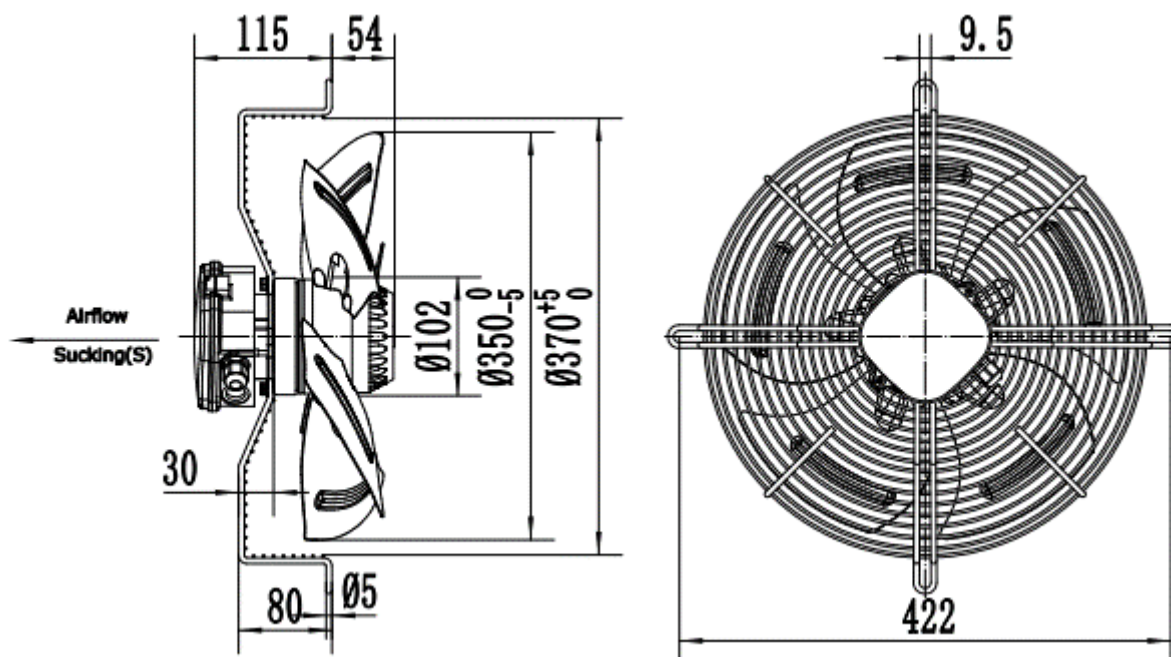
TECHNICAL DATA

ITEM NUMBER	PRODUCT DESCRIPTION	AIRFLOW (M3/Hr, 20Pa)	SPEED (RPM)	INPUT POWER (Watts)	CURRENT (Amps)	RUN CAPACITOR	ROTATION DIRECTION (when looking at fan guard)
YWF4E-300S-92/35-G	Freddox 300mm Axial Fan 1ph 50Hz 4pole	1690	1380	85	0.42	3 μ F 450V	Clockwise
YWF4E-350S-102/34-G	Freddox 350mm Axial Fan 1ph 50Hz 4pole	2300	1400	129	0.65	4 μ F 450V	Clockwise
YWF4E-450S-102/60-G	Freddox 450mm Axial Fan 1ph 50Hz 4pole	5046	1350	250	1.15	8 μ F 450V	Clockwise

300mm Fan



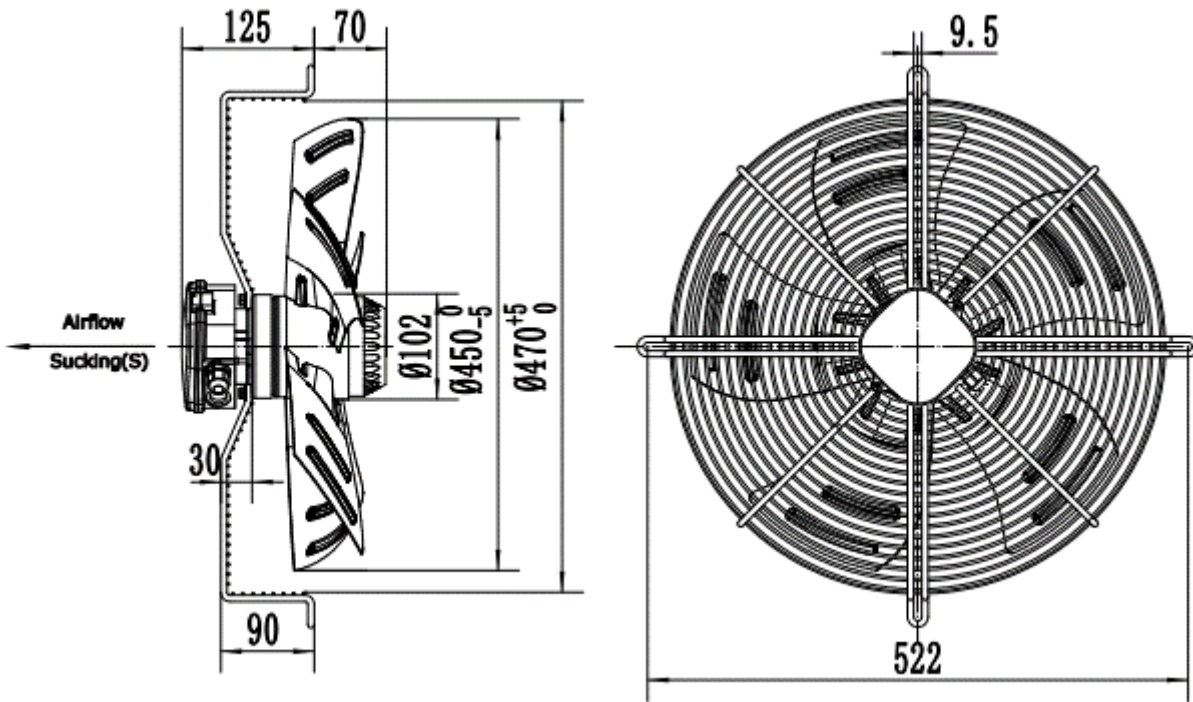
350mm Fan



FREDDOXAXIALFANS_0224

TECHNICAL DATA

450mm Fan



FREDDOXAXIALFANS_0224