

Australian Fan and Motor Company Pty Ltd
Large Fan Catalogue

Australian Fan & Motor Co Pty Ltd

Fans & Spares

TMC

Yilida

MaEr

27 Wedgewood Road, Hallam, Victoria, 3803
Tel 03 87957666 Fax 03 87957833

Email afmc@austfan.com.au



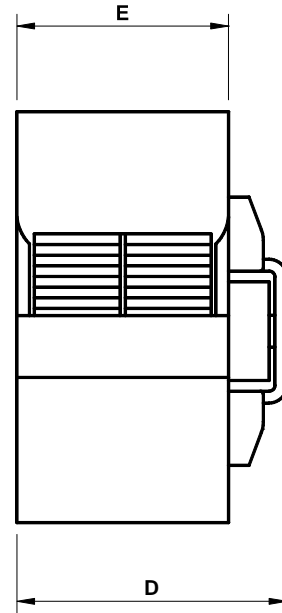
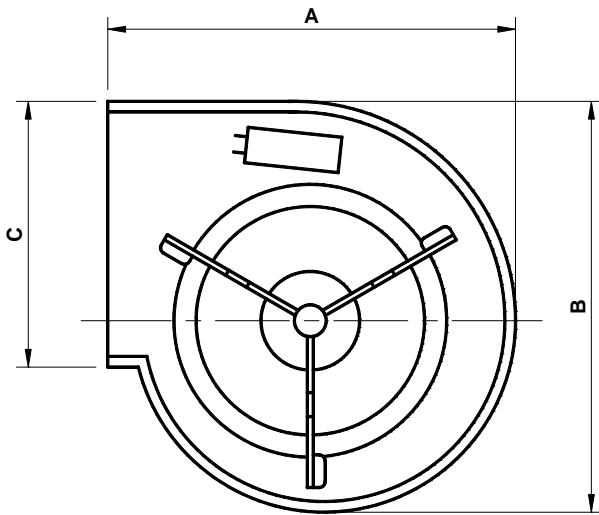
All performance testing and generation of the following graphical information is by CSIRO Advanced Fluid Dynamics Laboratory, Highett, Melbourne, or by AFMC and is tested to BS848 1980 part 1.

The suitability of the fan (including motor) for the application must be determined by, and is the responsibility of the customer.

As part of Australian Fan and Motor Company Pty Ltd continuing efforts in research and development, specifications may change without notice.

All drawings shown are not to scale

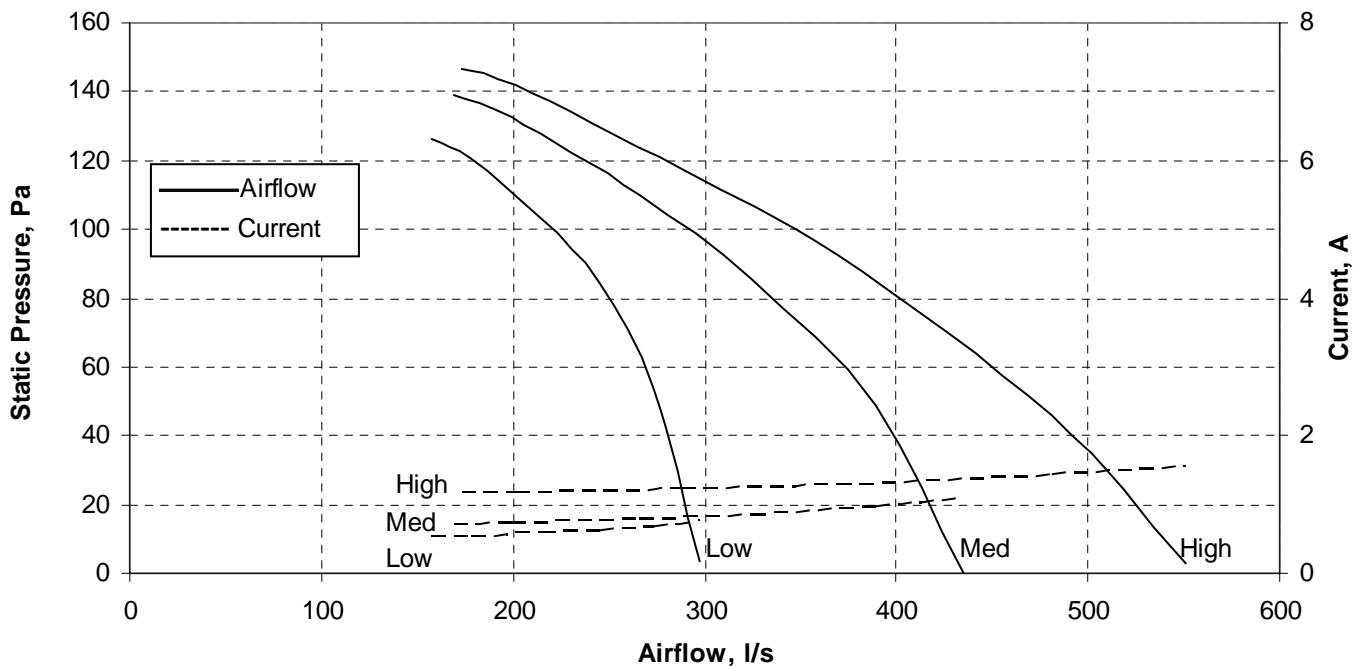
9x7 tight blower with 184W motor



Part Number	A	B	C	D	E
FB 9x7T-184-01	318	325	259	316	234

Motor					
Rated Output 184W	Supply 240V/50Hz	Rated RPM 880	Rated Current 1.6 amps	Capacitor 8uF/440V	Insulation Class B 130
Enclosure IP20	Thermal Protection Auto Reset Overload		Duty AOM		

Wheels
Glass Filled Nylon or Glass Filled Polypropylene with plated mild steel hub

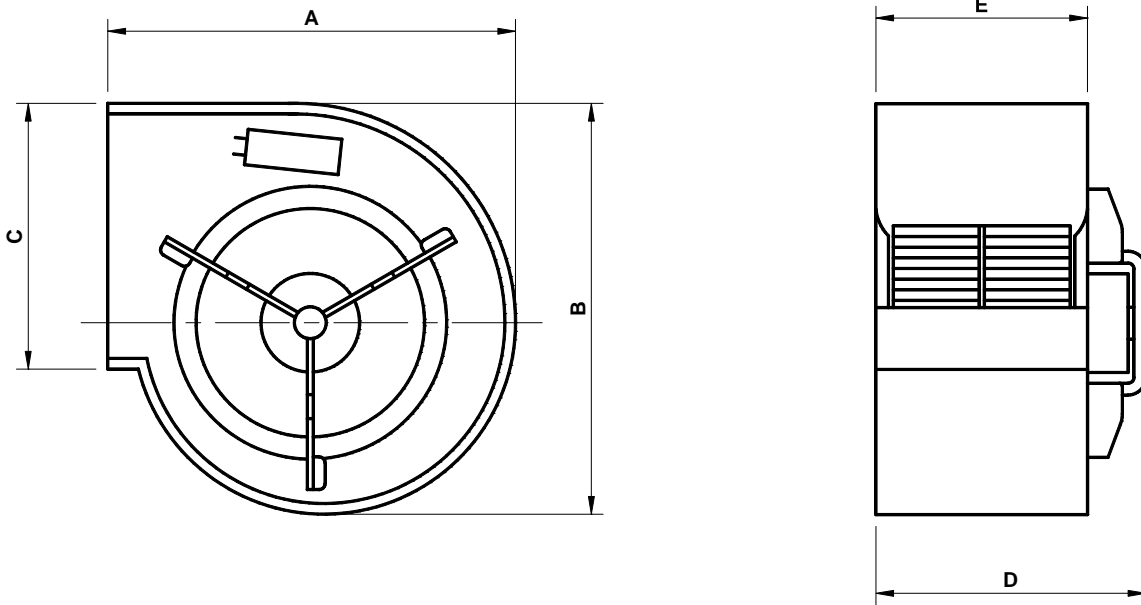


Dimensions

Product Data

Performance

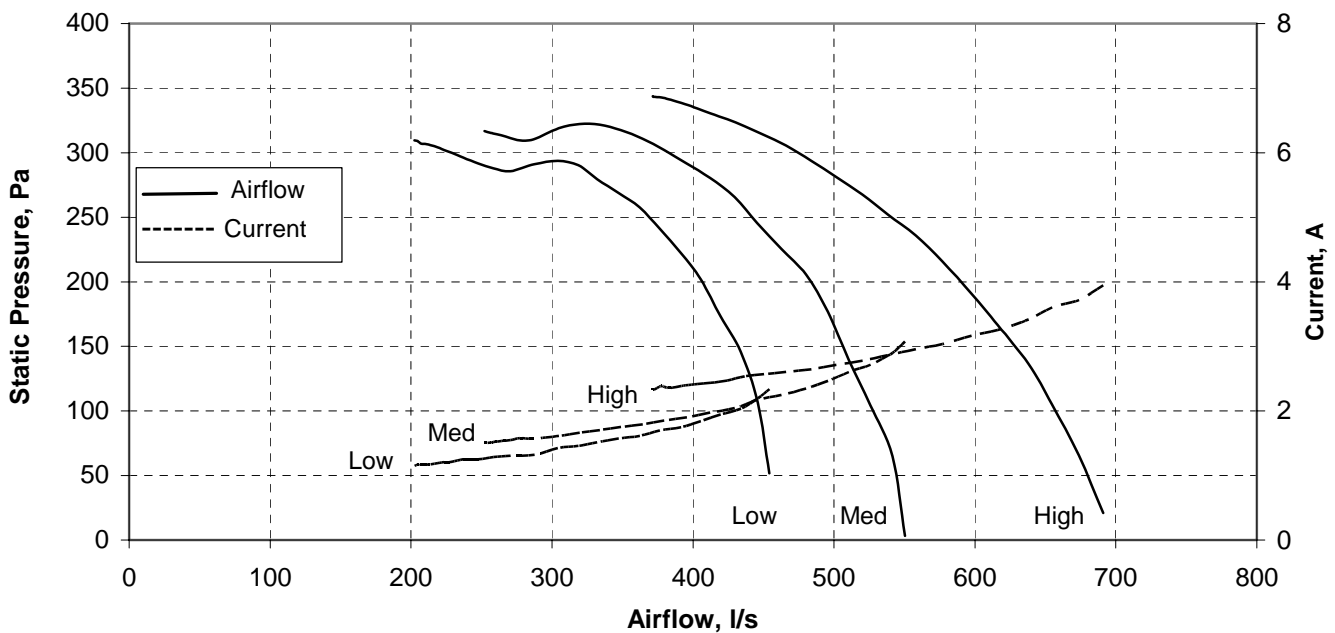
9x7 blower with 315W motor



Part Number	A	B	C	D	E
FB 9x7-315-01	379	389	259	284	234

Motor					
Rated Output 315W	Supply 240V/50Hz	Rated RPM 1350	Rated Current 2.5 amps	Capacitor 4uF/440V	Insulation Class B 130
Enclosure IP20	Thermal Protection Auto Reset Overload		Duty AOM		

Wheels
Glass Filled Nylon or Glass Filled Polypropylene with plated mild steel hub

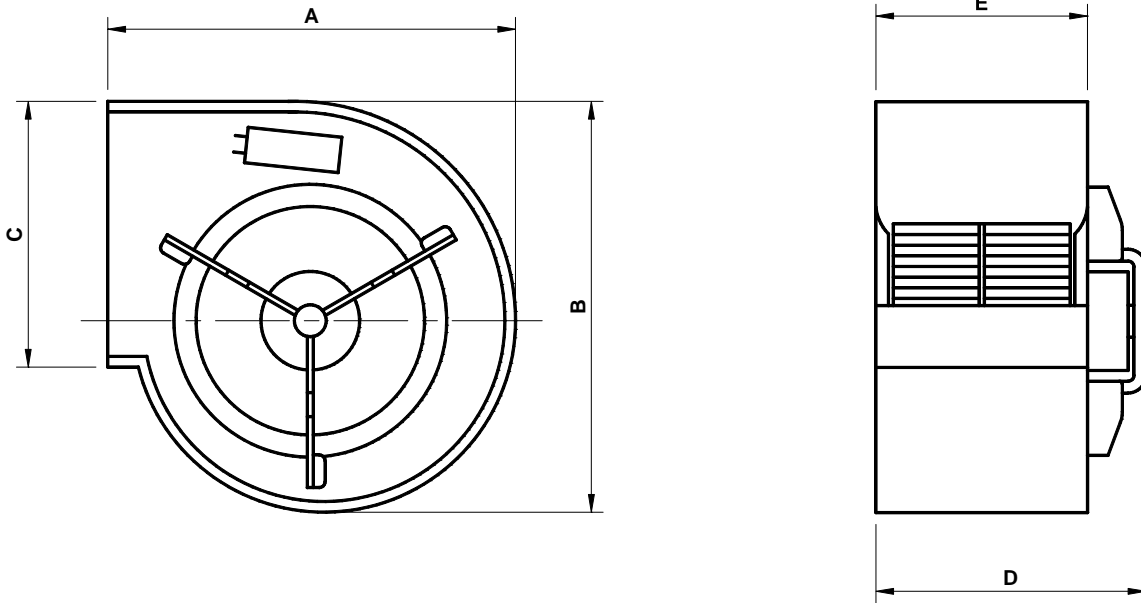


Dimensions

Product Data

Performance

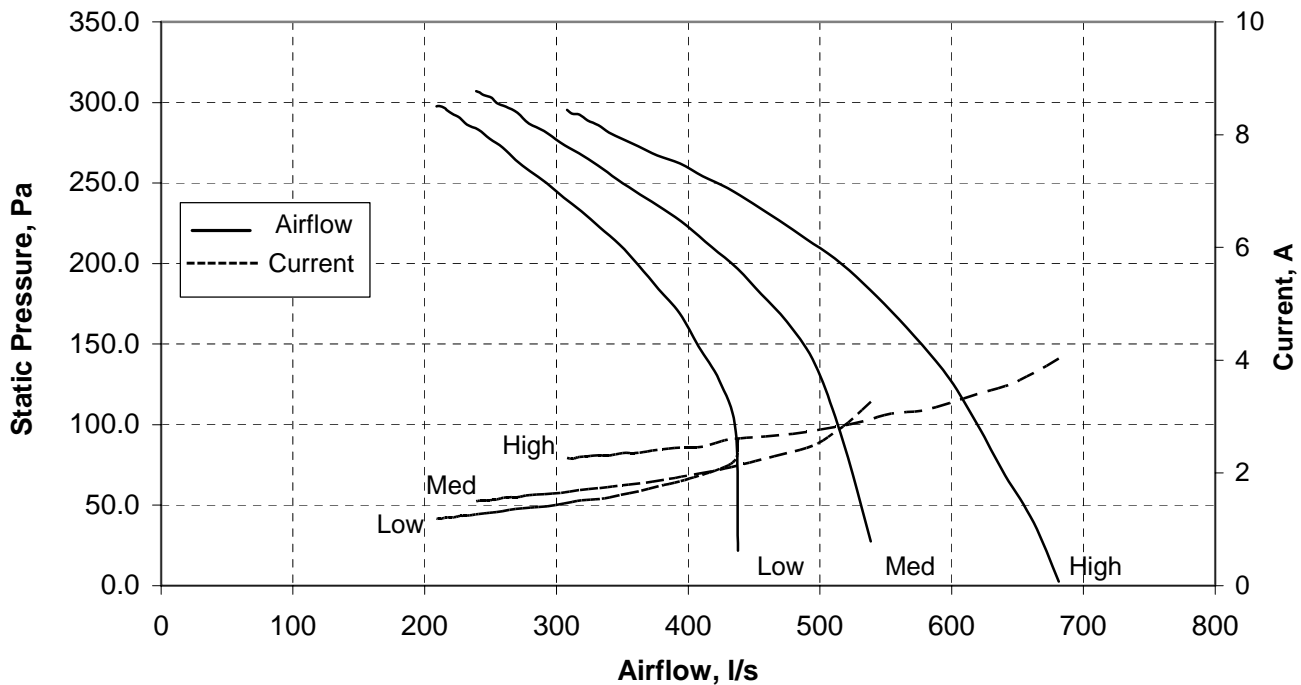
9x7 tight blower with 315W motor



Part Number	A	B	C	D	E
FB 9x7T-315-27	318	329	265	284	234

Motor					
Rated Output 315W	Supply 240V/50Hz	Rated RPM 1350	Rated Current 2.5 amps	Capacitor 4uF/440V	Insulation Class B 130
Enclosure IP20	Thermal Protection Auto Reset Overload		Duty AOM		

Wheels
Glass Filled Nylon or Glass Filled Polypropylene with plated mild steel hub

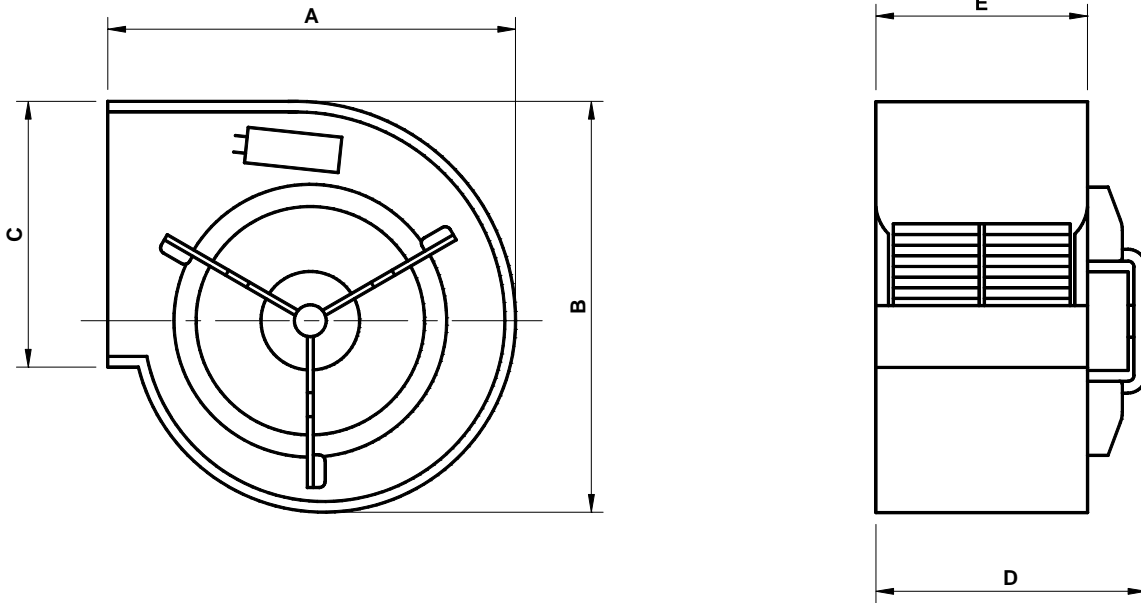


Dimensions

Product Data

Performance

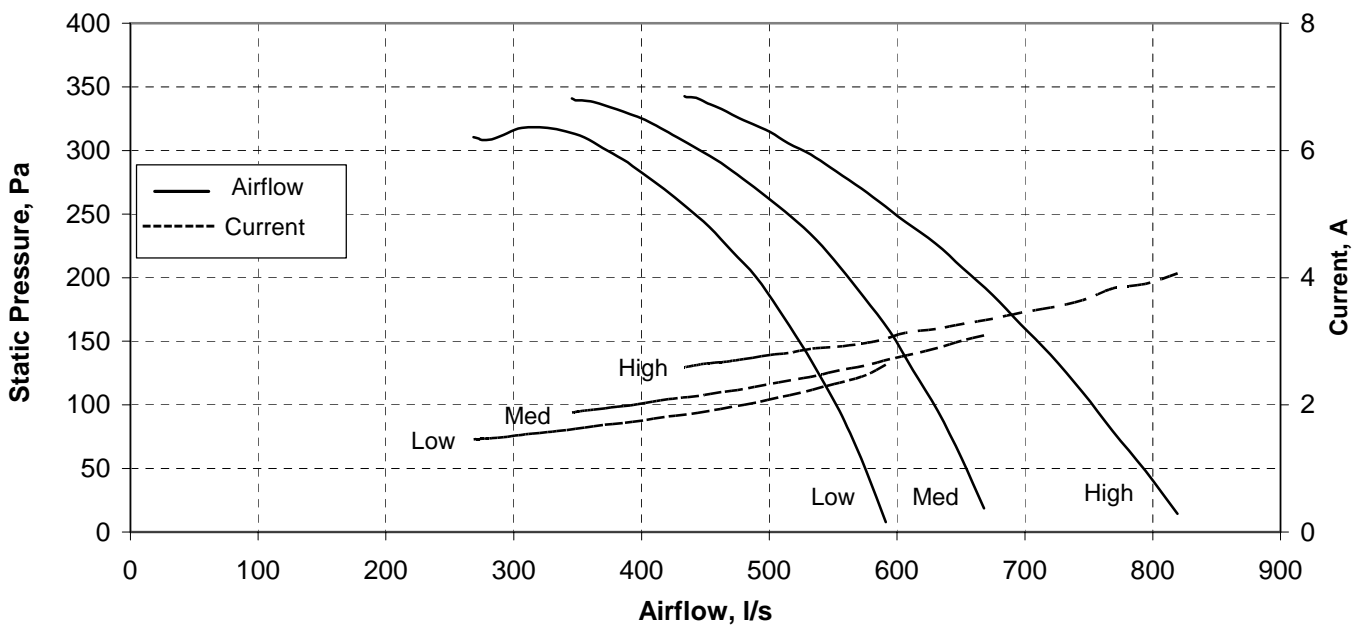
9x7 blower with 425W motor



Part Number	A	B	C	D	E
FB 9x7-425-01	379	389	259	284	234

Motor					
Rated Output 425W	Supply 240V/50Hz	Rated RPM 1315	Rated Current 3.6 amps	Capacitor 10uF/440V	Insulation Class B 130
Enclosure IP20	Thermal Protection Auto Reset Overload		Duty AOM		

Wheels
Glass Filled Nylon or Glass Filled Polypropylene with plated mild steel hub

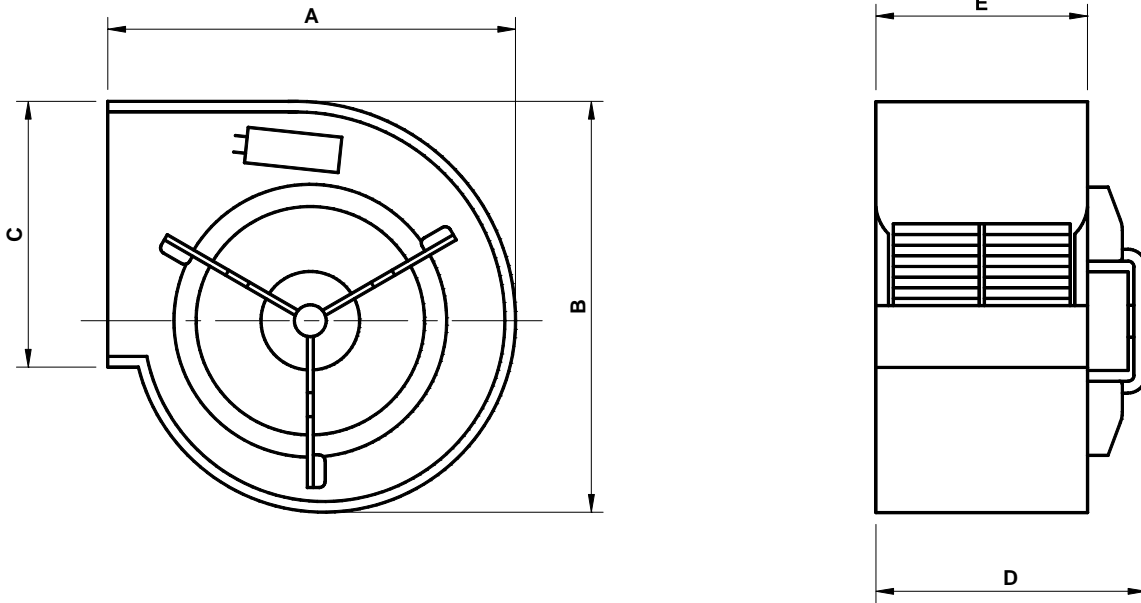


Dimensions

Product Data

Performance

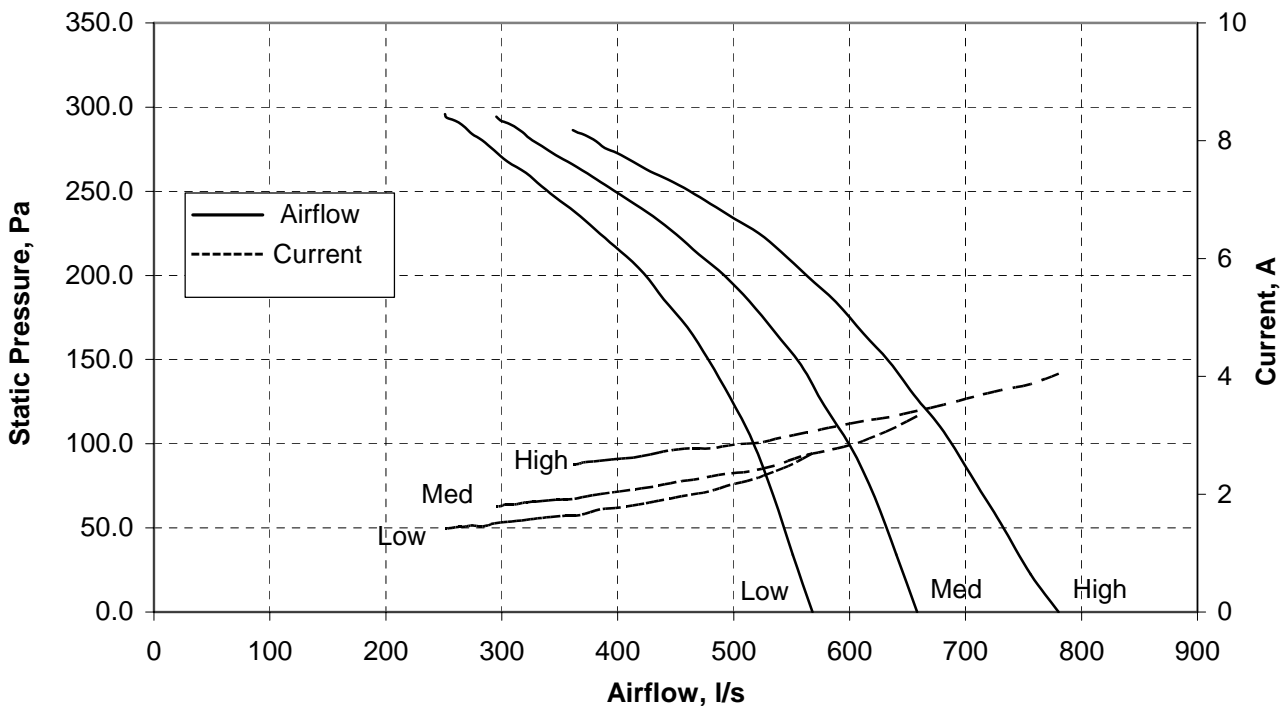
9x7 tight blower with 425W motor



Part Number	A	B	C	D	E
FB 9x7T-425-09	318	329	265	284	234

Motor					
Rated Output 425W	Supply 240V/50Hz	Rated RPM 1315	Rated Current 3.6 amps	Capacitor 10uF/440V	Insulation Class B 130
Enclosure IP20	Thermal Protection Auto Reset Overload		Duty AOM		

Wheels
Glass Filled Nylon or Glass Filled Polypropylene with plated mild steel hub

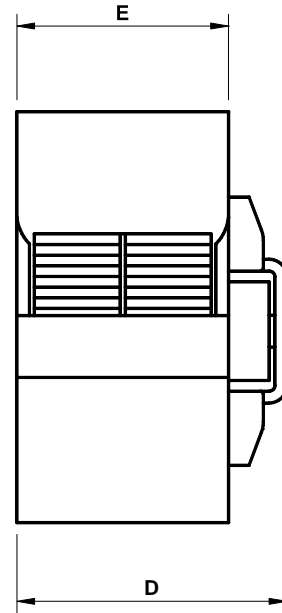
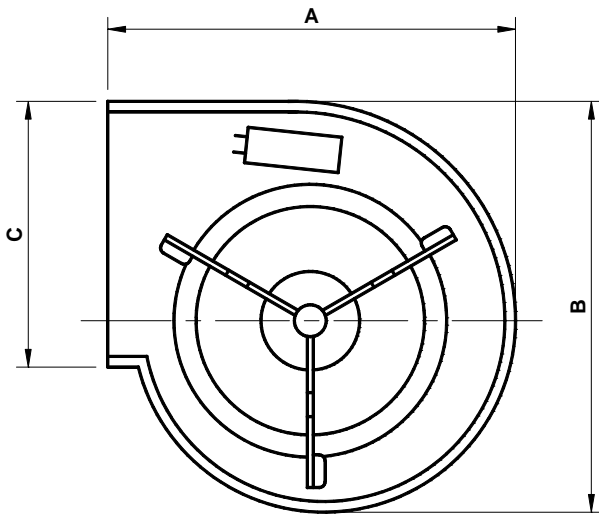


Dimensions

Product Data

Performance

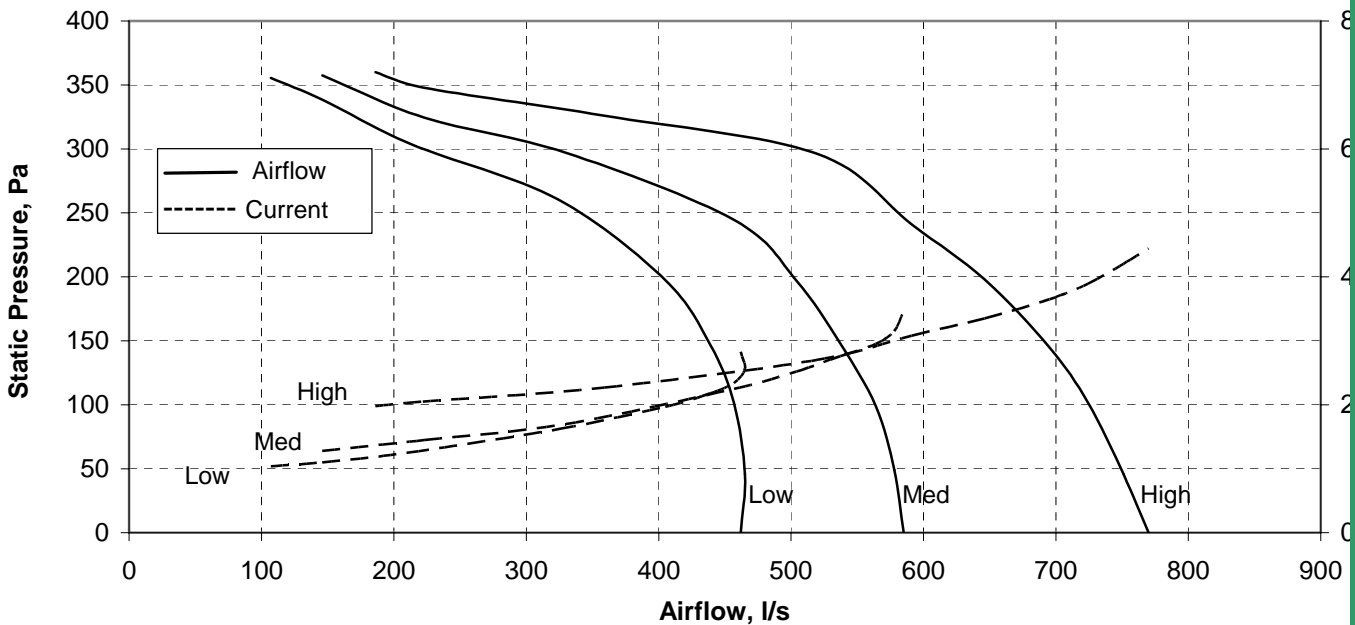
9x9 blower with 315W motor



Part Number	A	B	C	D	E
FB 9x9-315-01	379	389	259	340	302

Motor					
Rated Output 315W	Supply 240V/50Hz	Rated RPM 1350	Rated Current 2.5 amps	Capacitor 4uF/440V	Insulation Class B 130
Enclosure IP20	Thermal Protection Auto Reset Overload		Duty AOM		

Wheels
Glass Filled Nylon or Glass Filled Polypropylene with plated mild steel hub

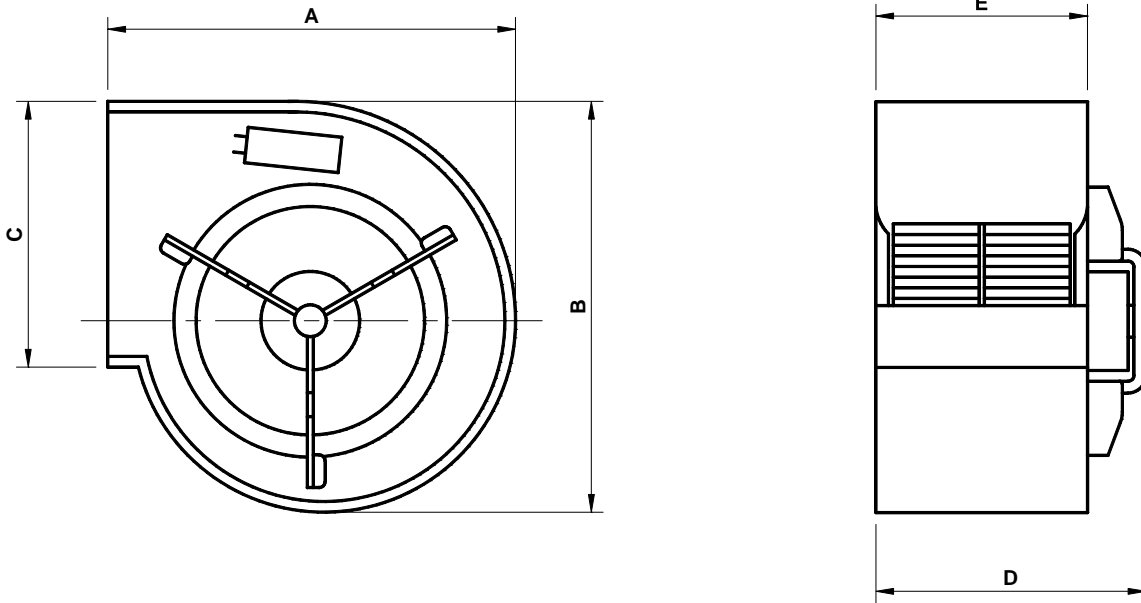


Dimensions

Product Data

Performance

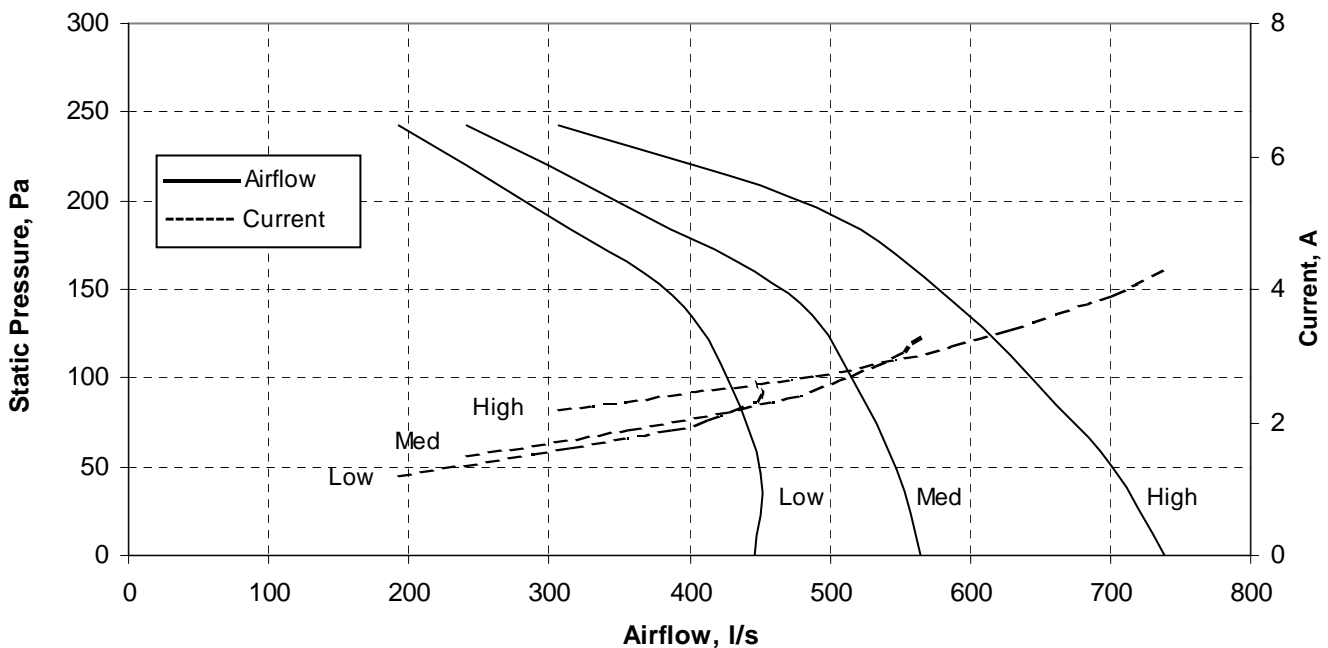
9x9 tight blower with 315W motor



Part Number	A	B	C	D	E
FB 9x9T-315-02	318	325	259	340	302

Motor					
Rated Output 315W	Supply 240V/50Hz	Rated RPM 1350	Rated Current 2.5 amps	Capacitor 4uF/440V	Insulation Class B 130
Enclosure IP20	Thermal Protection Auto Reset Overload		Duty AOM		

Wheels
Glass Filled Nylon or Glass Filled Polypropylene with plated mild steel hub

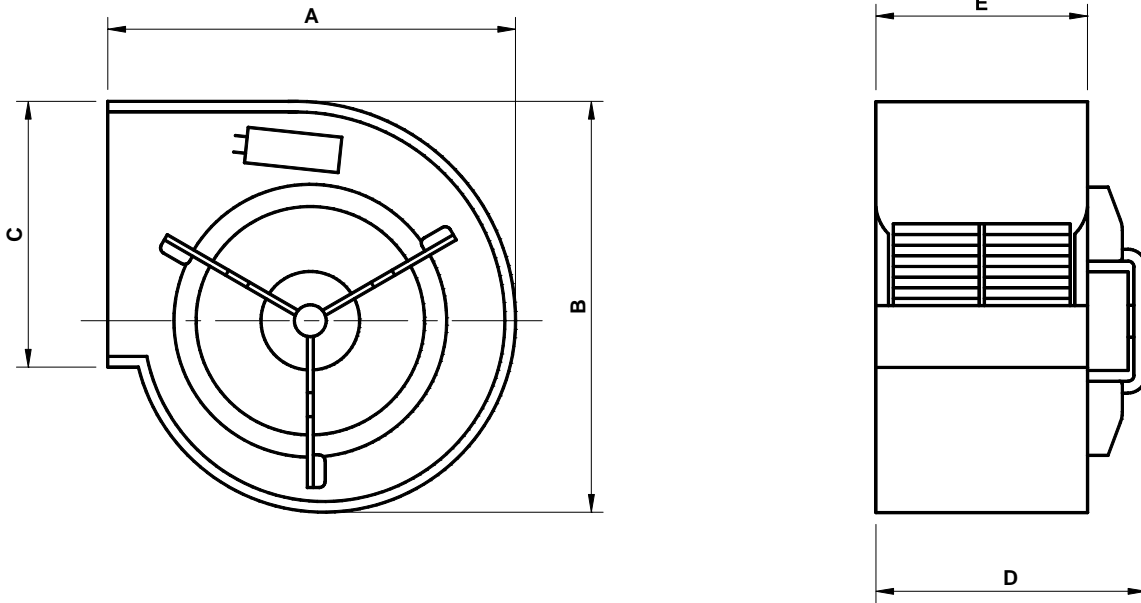


Dimensions

Product Data

Performance

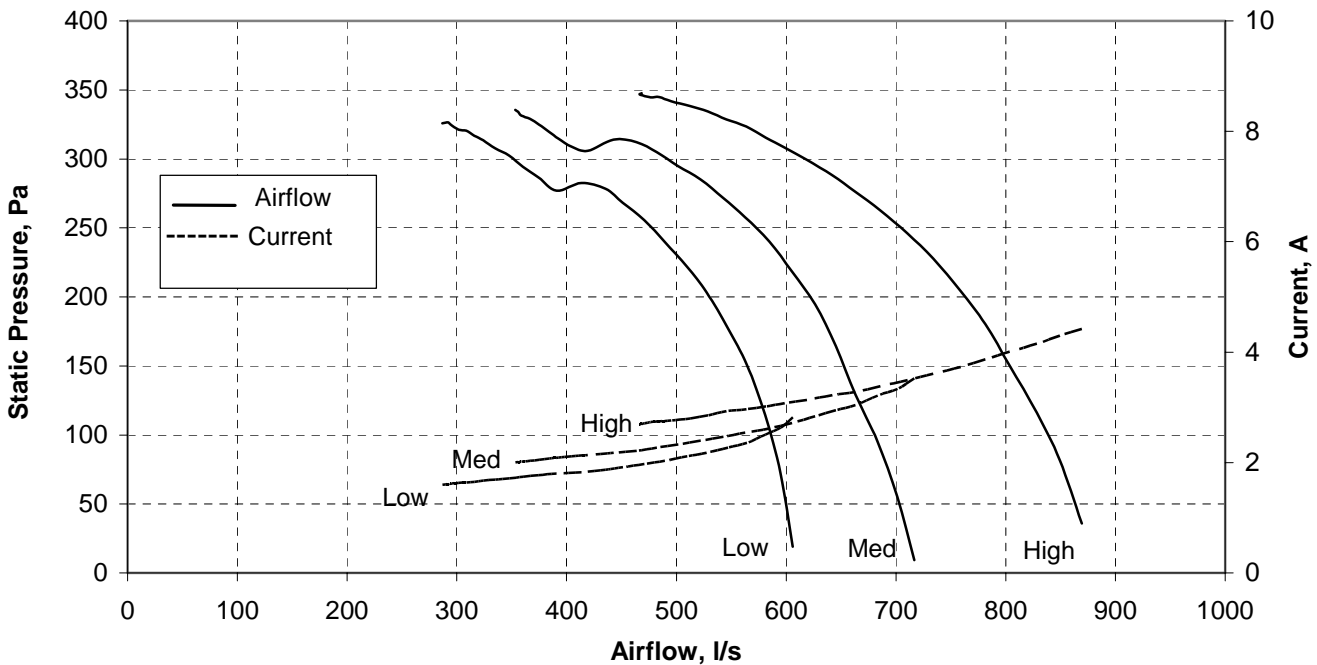
9x9 blower with 425W motor



Part Number	A	B	C	D	E
FB 9x9-425-02	379	389	259	340	302

Motor					
Rated Output 425W	Supply 240V/50Hz	Rated RPM 1315	Rated Current 3.6 amps	Capacitor 10uF/440V	Insulation Class B 130
Enclosure IP20	Thermal Protection Auto Reset Overload		Duty AOM		

Wheels
Glass Filled Nylon or Glass Filled Polypropylene with plated mild steel hub

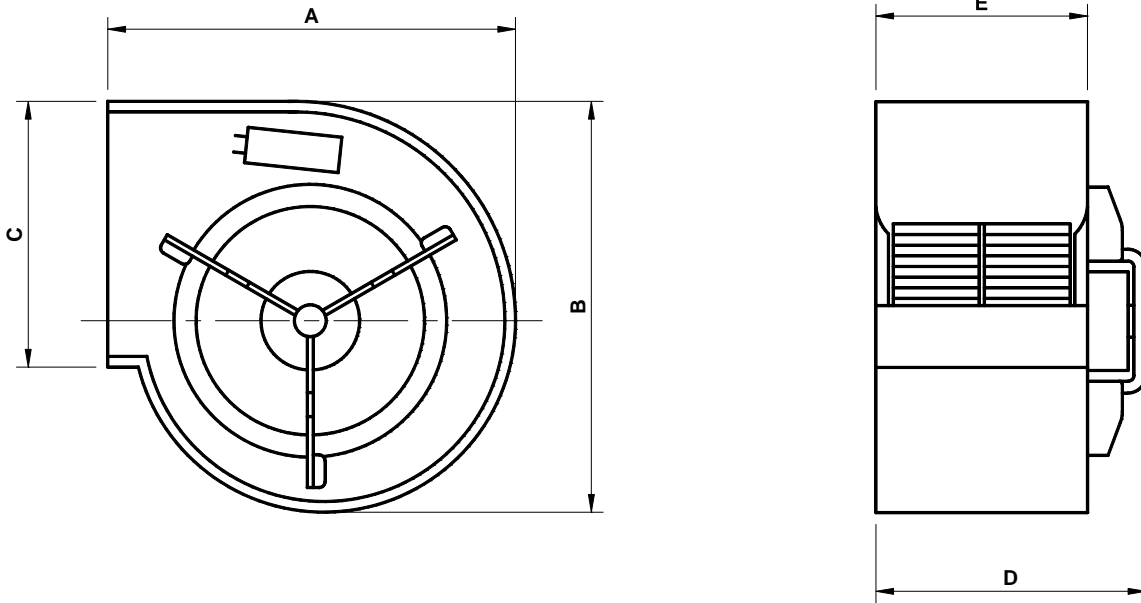


Dimensions

Product Data

Performance

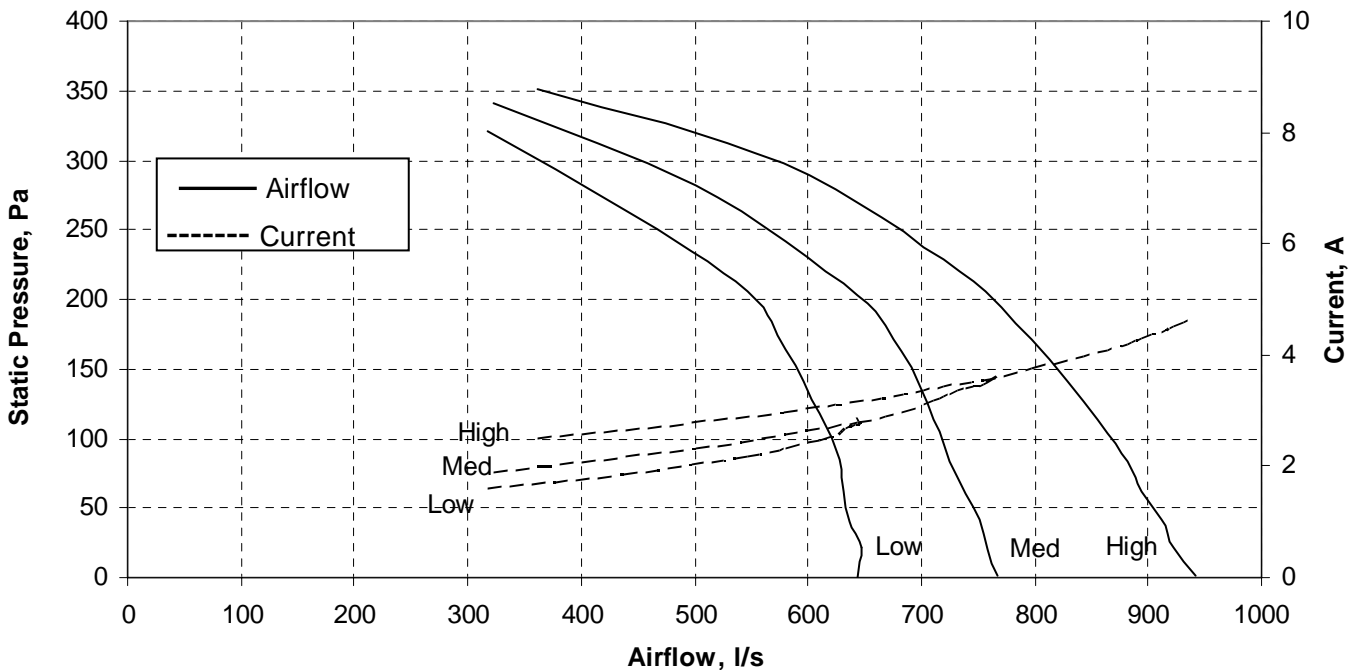
9x9 mid blower with 425W motor



Part Number	A	B	C	D	E
FB 9x9M-425-12	335	360	259	340	302

Motor					
Rated Output 425W	Supply 240V/50Hz	Rated RPM 1315	Rated Current 3.6 amps	Capacitor 10uF/440V	Insulation Class B 130
Enclosure IP20	Thermal Protection Auto Reset Overload		Duty AOM		

Wheels
Glass Filled Nylon or Glass Filled Polypropylene with plated mild steel hub

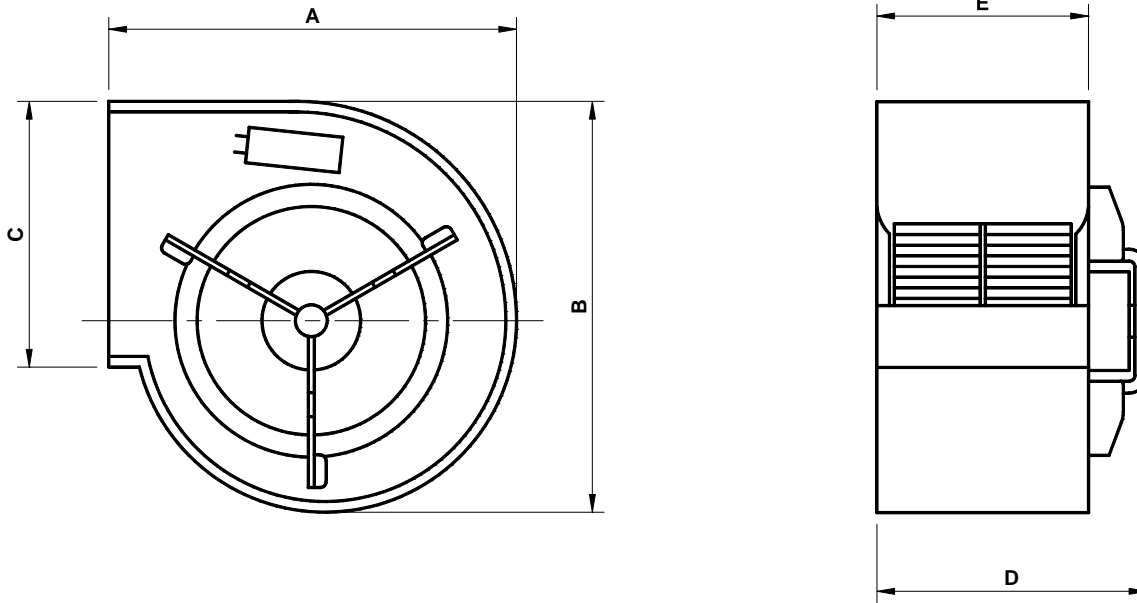


Dimensions

Product Data

Performance

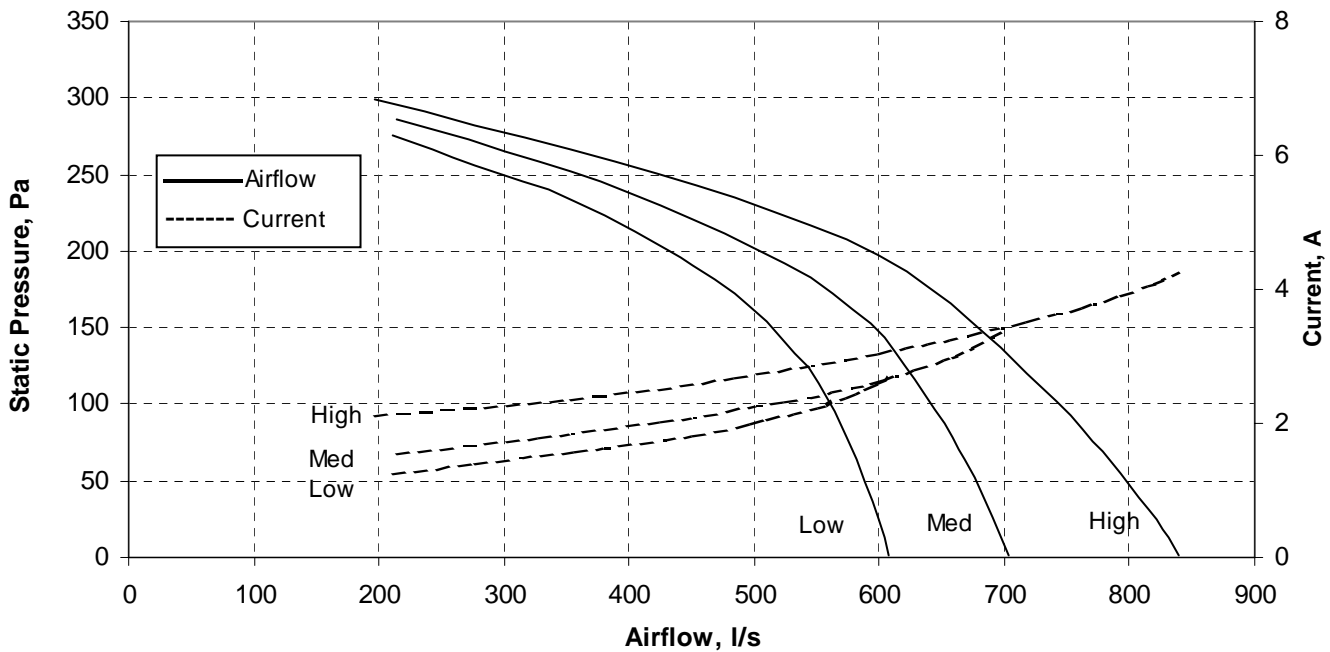
9x9 tight blower with 425W motor



Part Number	A	B	C	D	E
FB 9x9T-425-04	318	325	259	340	302

Motor					
Rated Output 425W	Supply 240V/50Hz	Rated RPM 1315	Rated Current 3.6 amps	Capacitor 10uF/440V	Insulation Class B 130
Enclosure IP20	Thermal Protection Auto Reset Overload		Duty AOM		

Wheels
Glass Filled Nylon or Glass Filled Polypropylene with plated mild steel hub

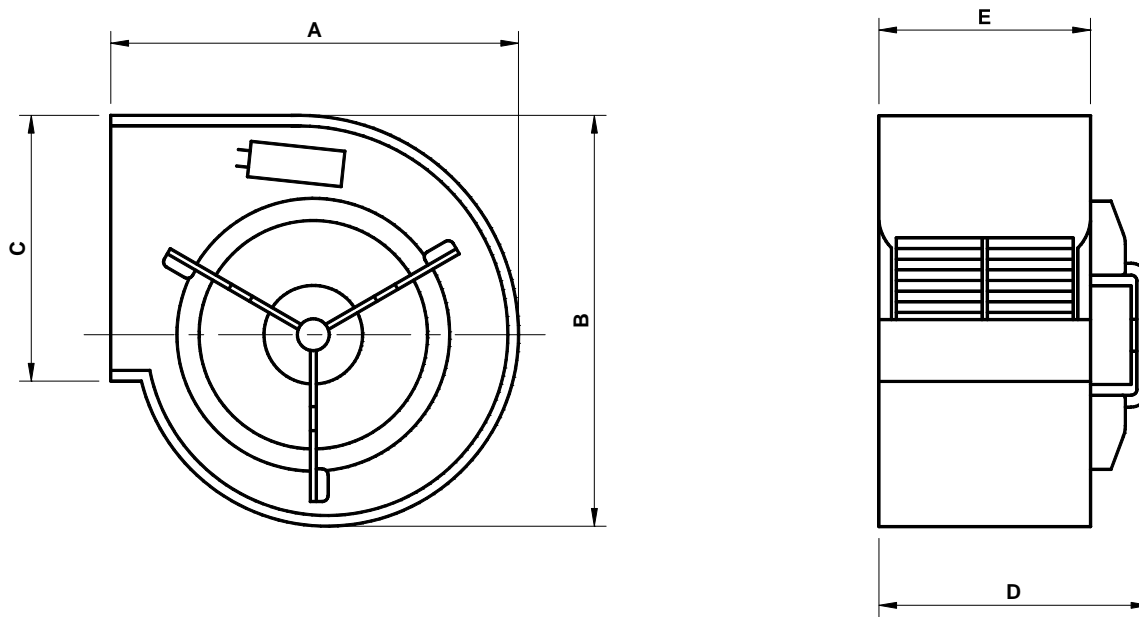


Dimensions

Product Data

Performance

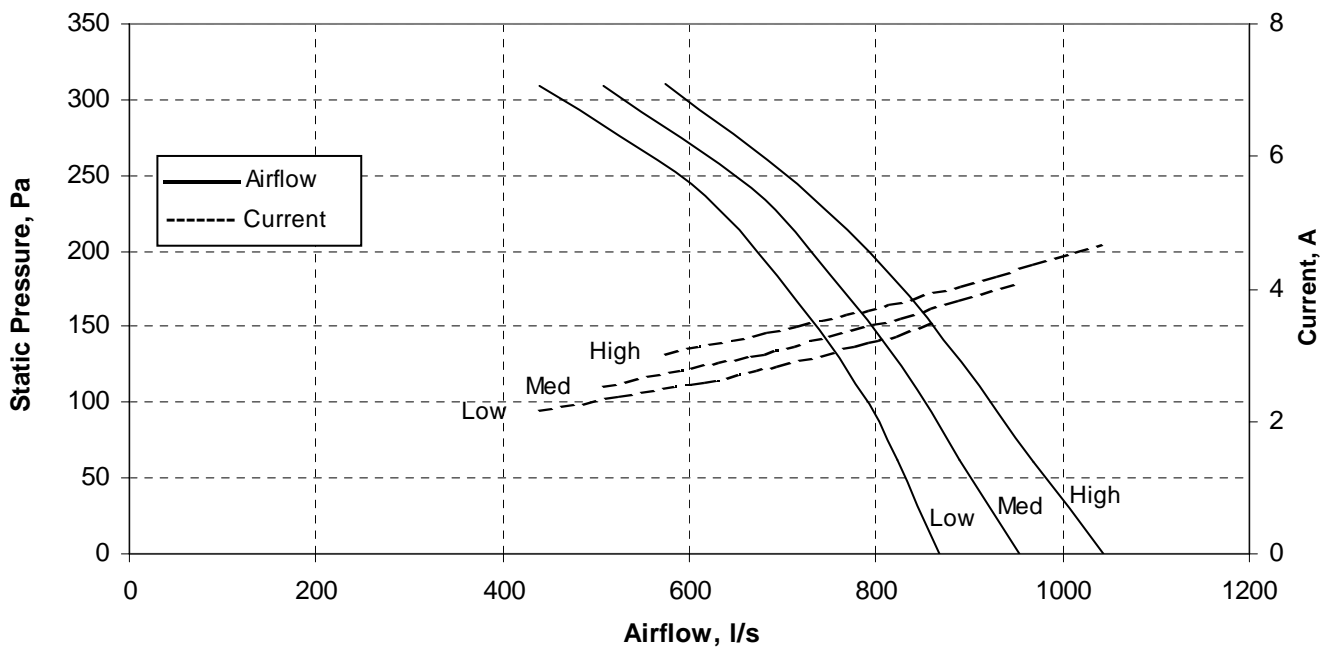
9x9 blower with 600W motor



Part Number	A	B	C	D	E
FB 9x9-600-01	379	389	259	352	302

Motor					
Rated Output 600W	Supply 240V/50Hz	Rated RPM 1200	Rated Current 4.4 amps	Capacitor 15uF/440V	Insulation Class B 130
Enclosure IP20	Thermal Protection Auto Reset Overload		Duty AOM		

Wheels
Glass Filled Nylon or Glass Filled Polypropylene with plated mild steel hub

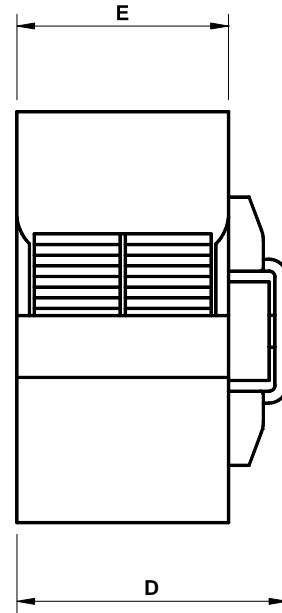
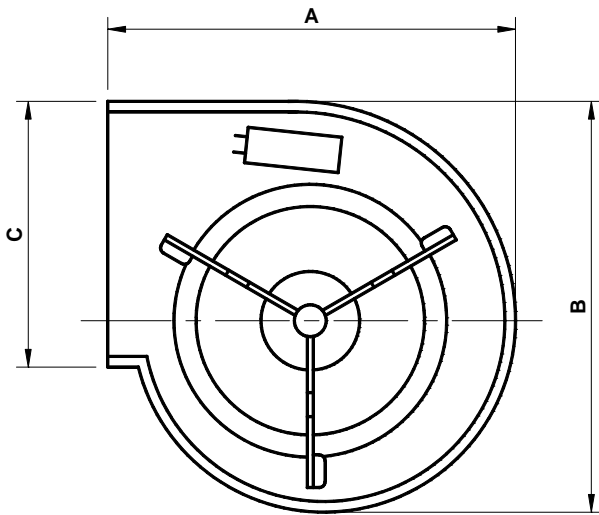


Dimensions

Product Data

Performance

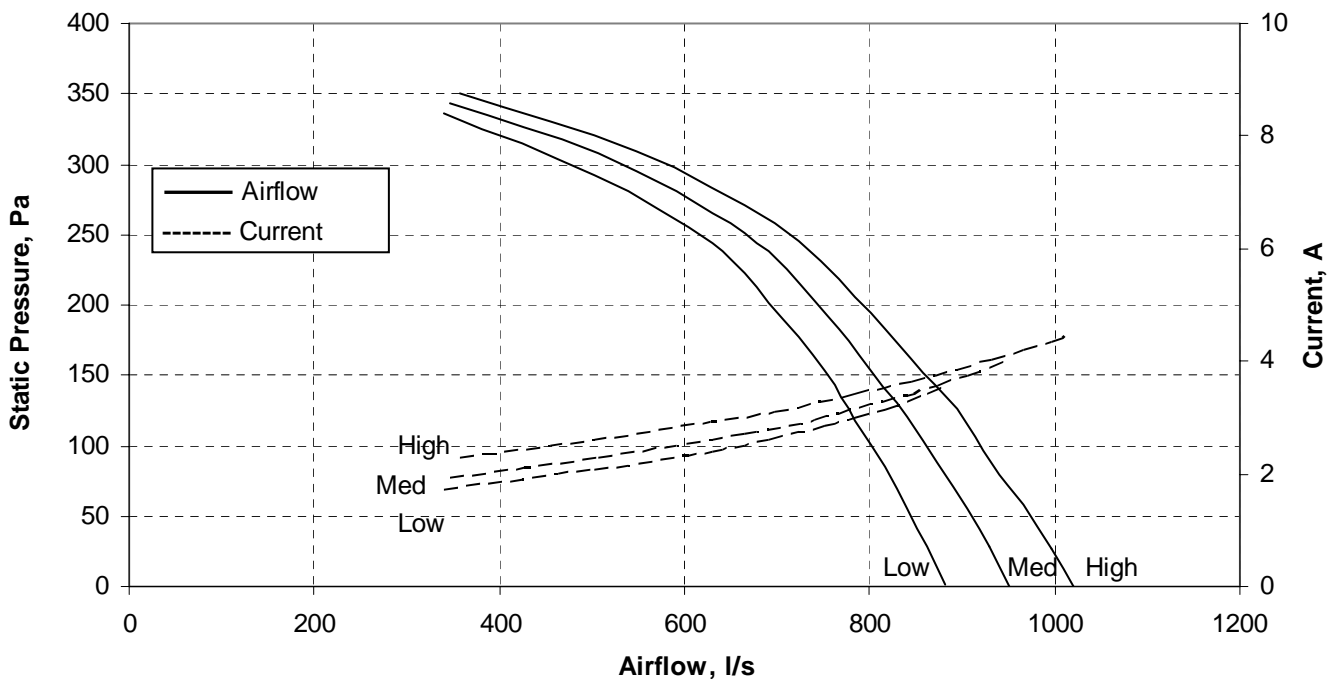
9x9 mid blower with 600W motor



Part Number	A	B	C	D	E
FB 9x9M-600-07	335	360	259	352	302

Motor					
Rated Output 600W	Supply 240V/50Hz	Rated RPM 1200	Rated Current 4.4 amps	Capacitor 15uF/440V	Insulation Class B 130
Enclosure IP20	Thermal Protection Auto Reset Overload		Duty AOM		

Wheels
Glass Filled Nylon or Glass Filled Polypropylene with plated mild steel hub

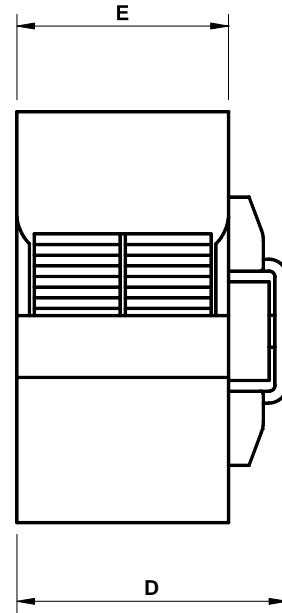
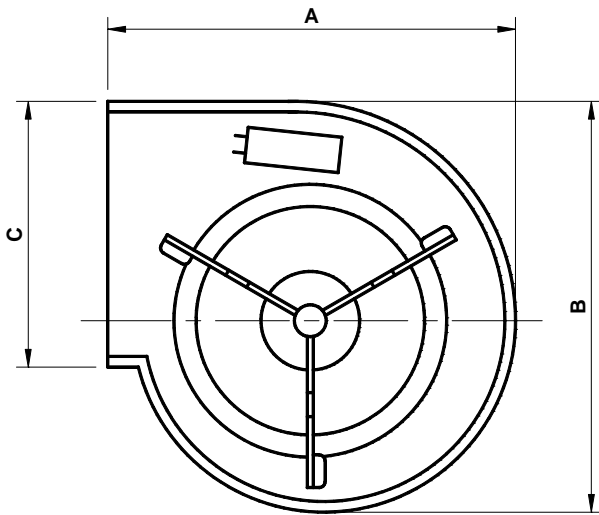


Dimensions

Product Data

Performance

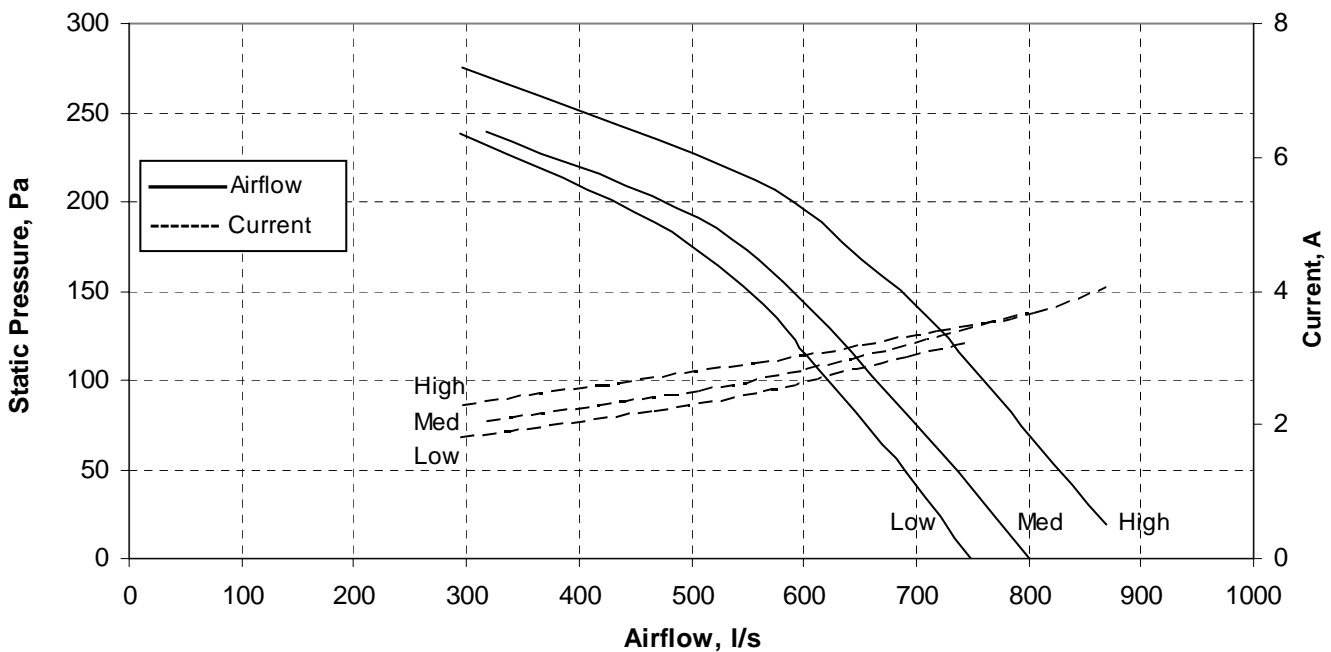
9x9 tight blower with 600W motor



Part Number	A	B	C	D	E
FB 9x9T-600-06	318	325	259	352	302

Motor					
Rated Output 600W	Supply 240V/50Hz	Rated RPM 1200	Rated Current 4.4 amps	Capacitor 15uF/440V	Insulation Class B 130
Enclosure IP20	Thermal Protection Auto Reset Overload		Duty AOM		

Wheels
Glass Filled Nylon or Glass Filled Polypropylene with plated mild steel hub

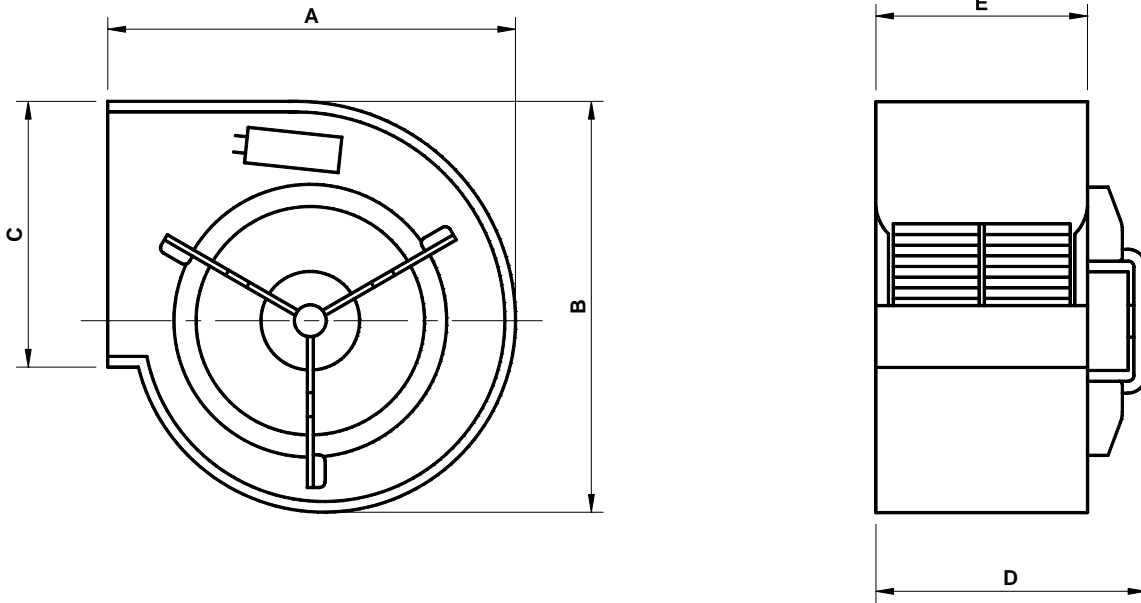


Dimensions

Product Data

Performance

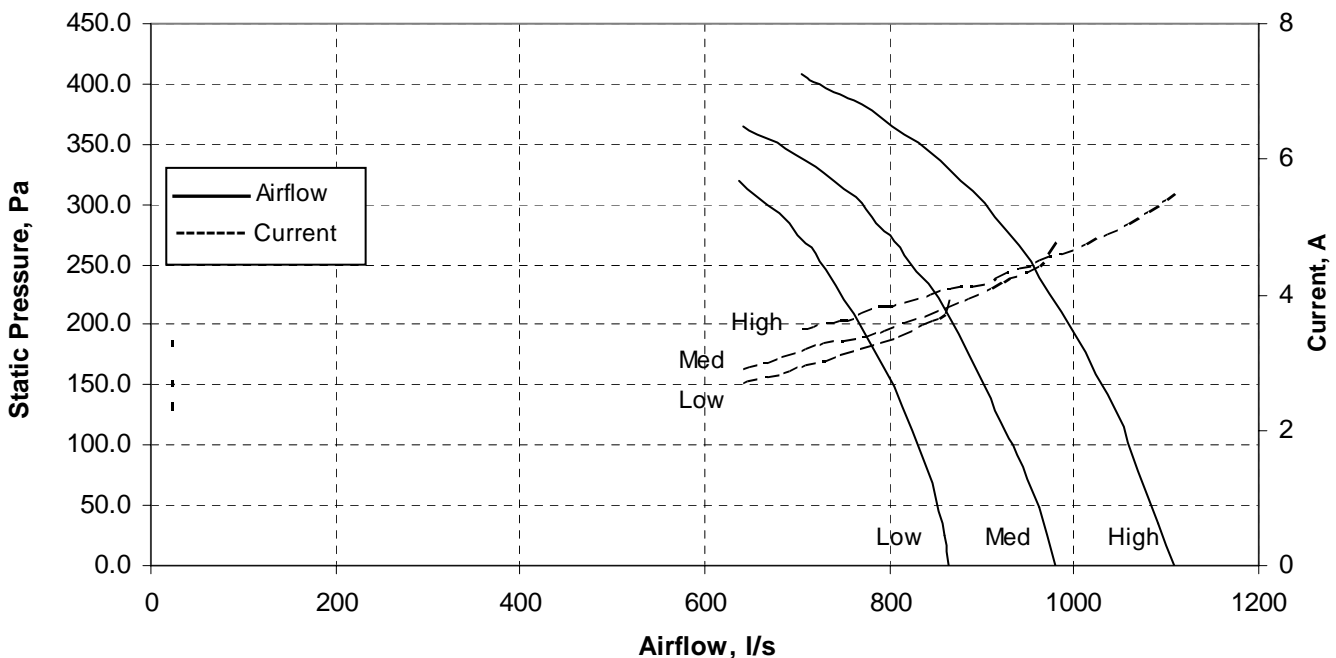
10x10 blower with 600W motor



Part Number	A	B	C	D	E
FB 10x10-600-13	421	445	292	380	333

Motor					
Rated Output 600W	Supply 240V/50Hz	Rated RPM 1200	Rated Current 4.4 amps	Capacitor 15uF/440V	Insulation Class B 130
Enclosure IP20	Thermal Protection Auto Reset Overload		Duty AOM		

Wheels
Glass Filled Nylon or Glass Filled Polypropylene with plated mild steel hub

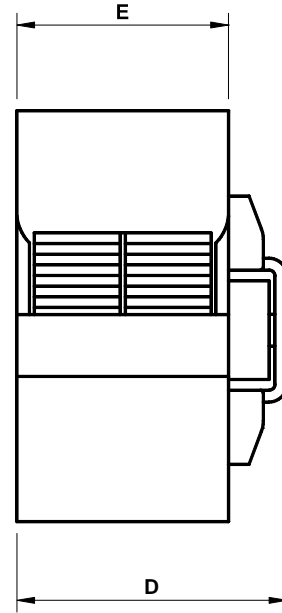
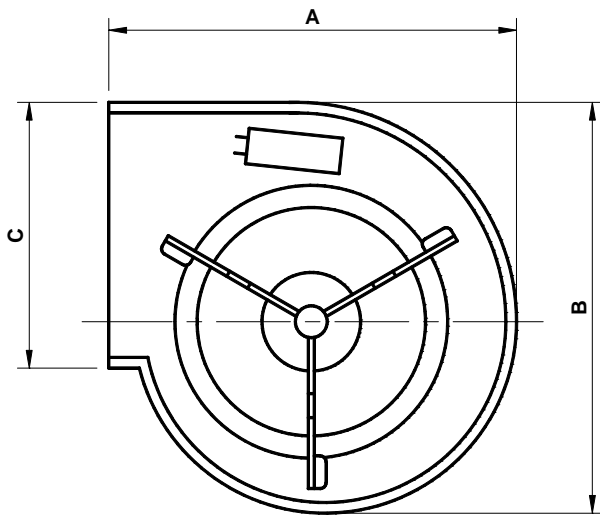


Dimensions

Product Data

Performance

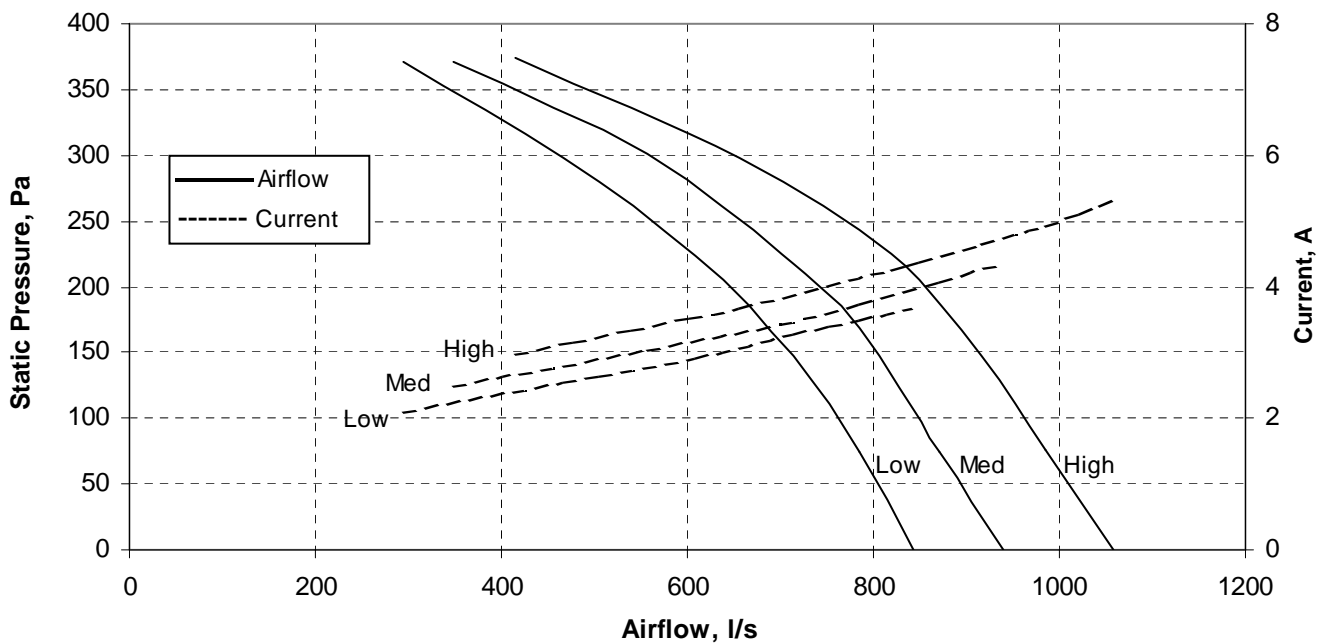
10x10 tight blower with 600W motor



Part Number	A	B	C	D	E
FB 10x10T-600-04	383	389	289	383	333

Motor					
Rated Output 600W	Supply 240V/50Hz	Rated RPM 1200	Rated Current 4.4 amps	Capacitor 15uF/440V	Insulation Class B 130
Enclosure IP20	Thermal Protection Auto Reset Overload		Duty AOM		

Wheels
Glass Filled Nylon or Glass Filled Polypropylene with plated mild steel hub

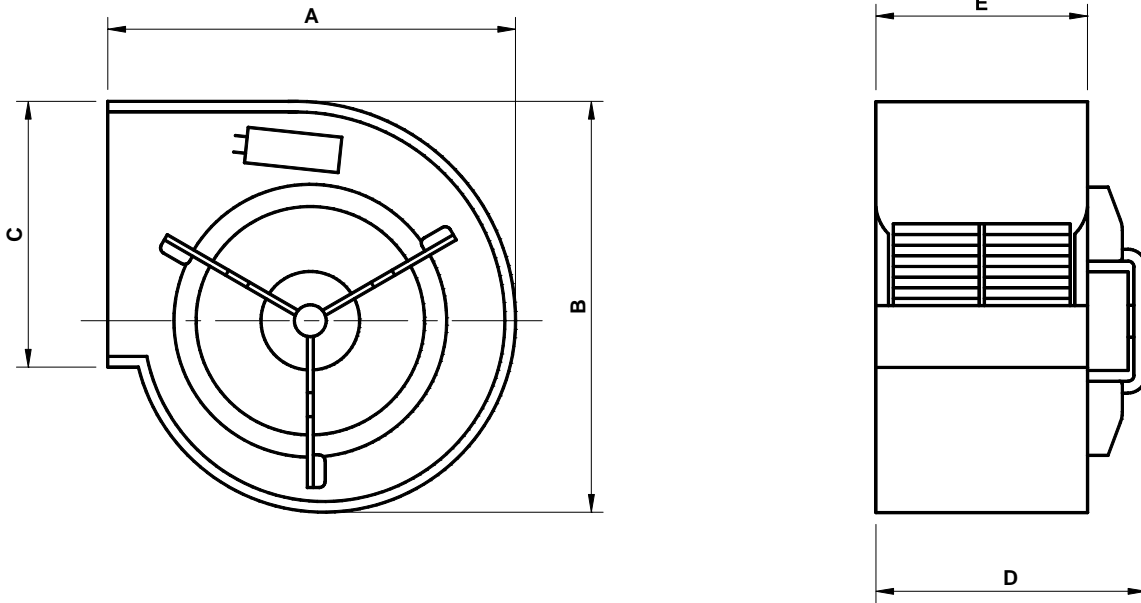


Dimensions

Product Data

Performance

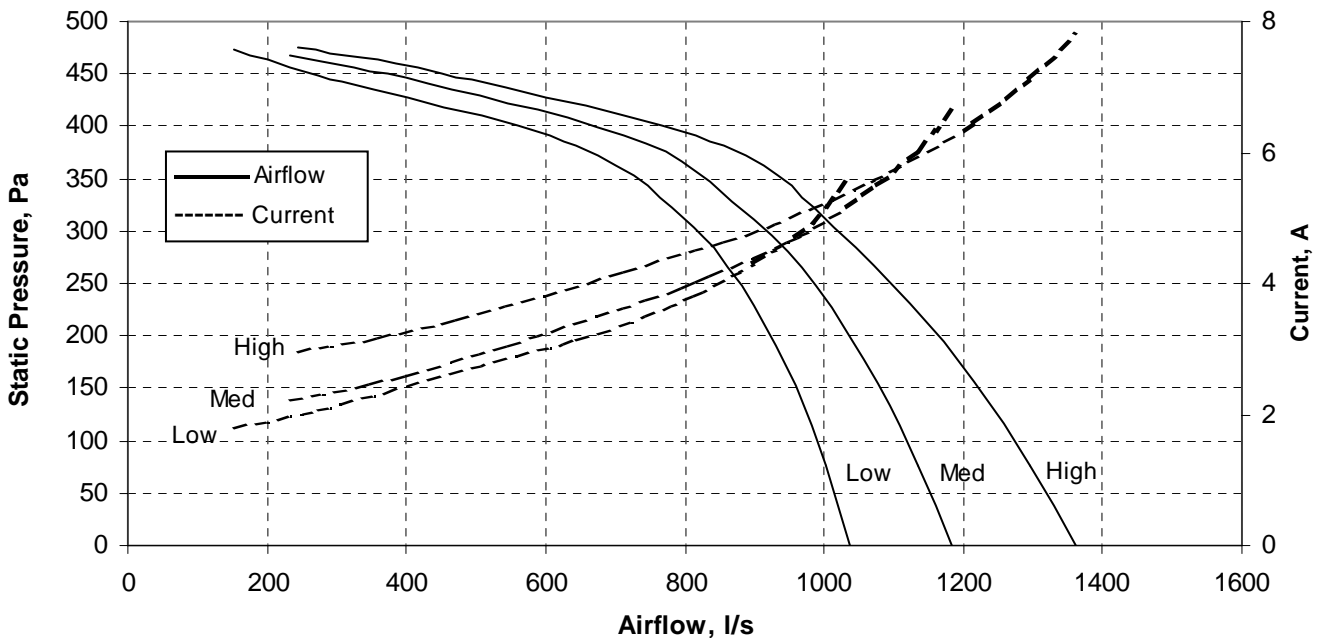
10x10 blower with 750W motor



Part Number	A	B	C	D	E
FB 10x10-750-01	421	438	289	383	333

Motor					
Rated Output 750W	Supply 240V/50Hz	Rated RPM 1360	Rated Current 4.9 amps	Capacitor 20uF/440V	Insulation Class B 130
Enclosure IP20	Thermal Protection Auto Reset Overload		Duty AOM		

Wheels
Glass Filled Nylon or Glass Filled Polypropylene with plated mild steel hub

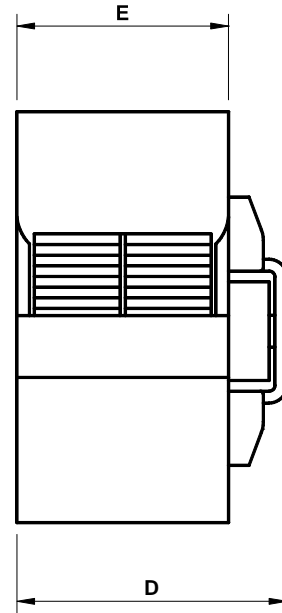
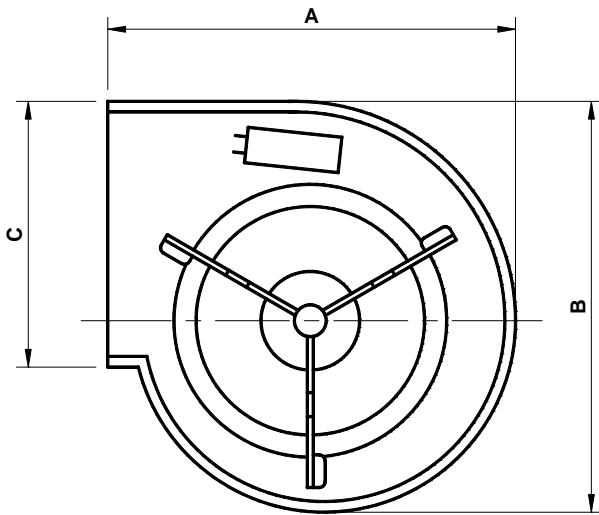


Dimensions

Product Data

Performance

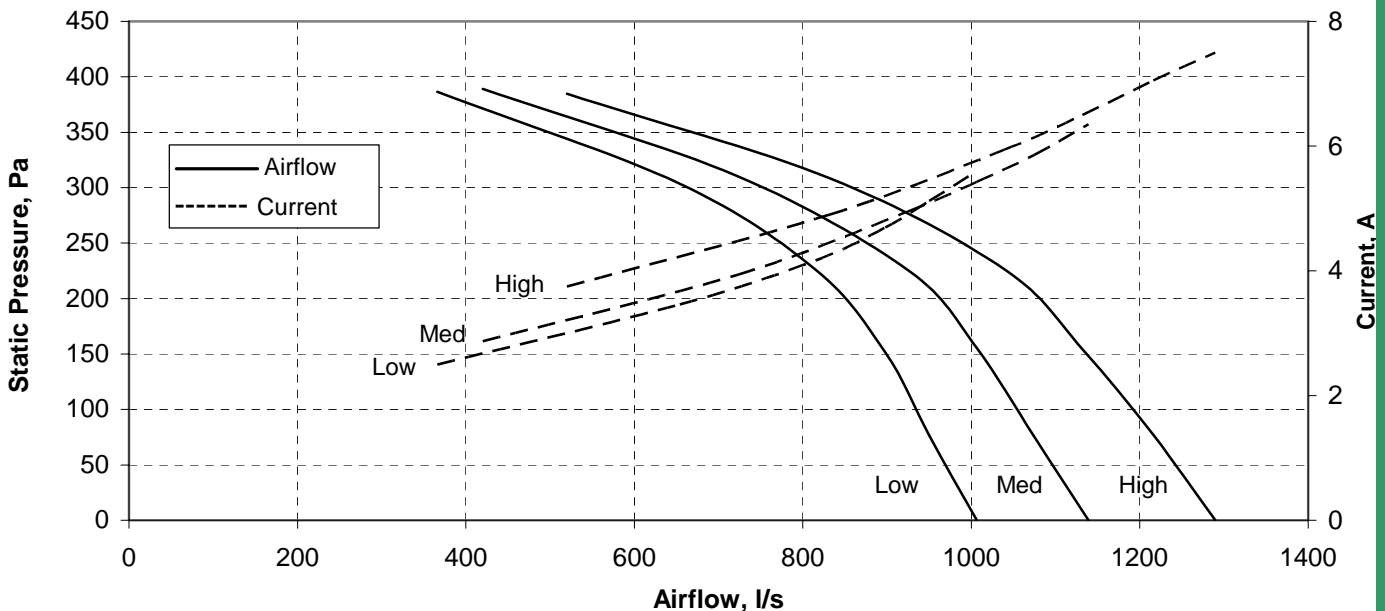
10x10 tight blower with 750W motor



Part Number	A	B	C	D	E
FB 10x10T-750-04	383	389	289	383	333

Motor					
Rated Output 750W	Supply 240V/50Hz	Rated RPM 1360	Rated Current 4.9 amps	Capacitor 20uF/440V	Insulation Class B 130
Enclosure IP20	Thermal Protection Auto Reset Overload		Duty AOM		

Wheels
Glass Filled Nylon or Glass Filled Polypropylene with plated mild steel hub

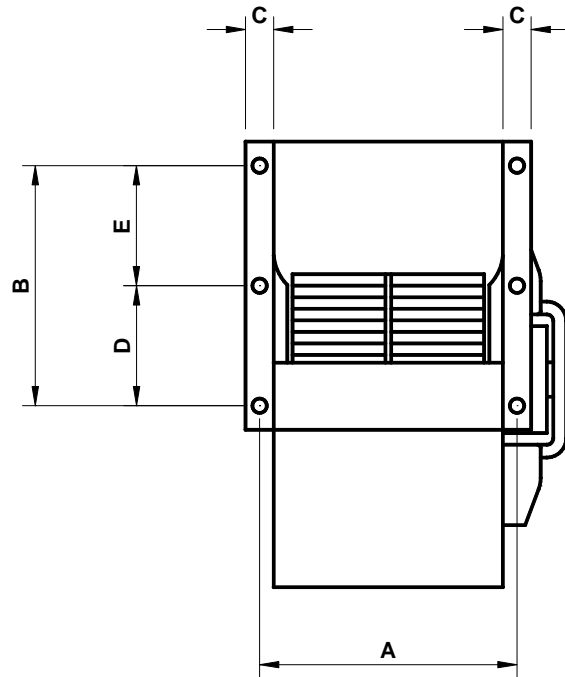


Dimensions

Product Data

Performance

Standard Blower Flanges

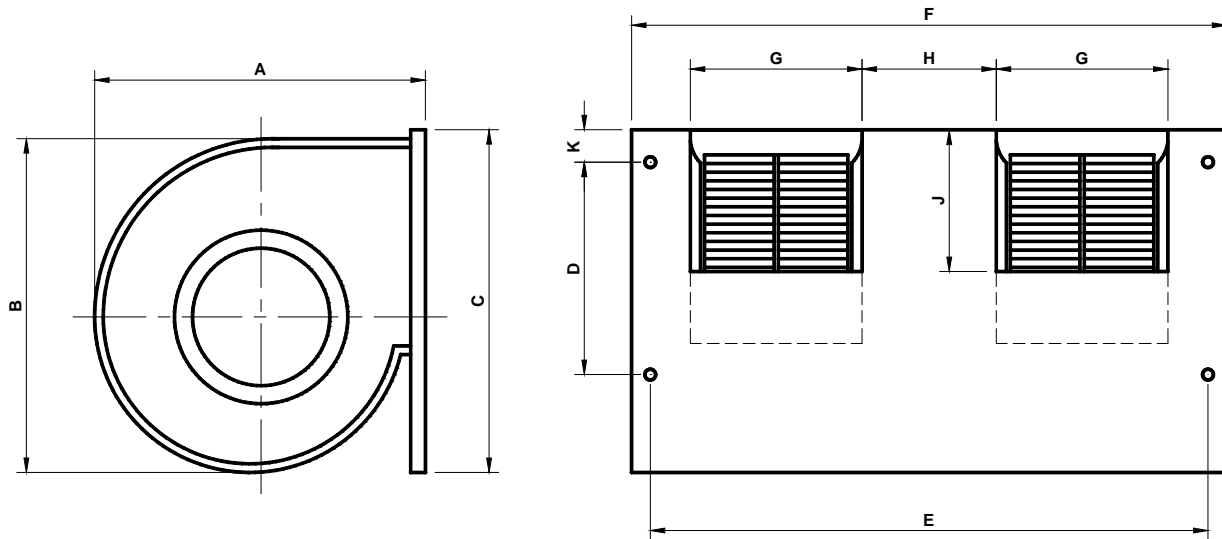


Blower Type	Number of Holes/Side	Hole Diameter	A	B	C	D	E	Nutsert
9x7 Tight	3	5	243	227	11.5	113.5	113.5	
	3	5	243	227	20	113.5	113.5	
	3		264	191	22	65	126	M6
9x7 Standard	3	5	243	227	11.5	113.5	113.5	
9x9 Tight	3	5	318.5	227	20	113.5	113.5	
	3	5	311.5	227	11.5	113.5	113.5	
9x9 Standard	3	5	318.5	227	20	113.5	113.5	
	2		320	200	20			M6
10x10 Tight	3	5	346.5	249	15	124.5	124.5	
	3	5	346.5	227	15	124.5	124.5	
10x10 Standard	3	5	364.5	260	27.5	130	130	
	3	5	349.5	260	20	130	130	

Dimensions

Flanges can be manufactured to specific customer requirements - minimum order quantities may apply

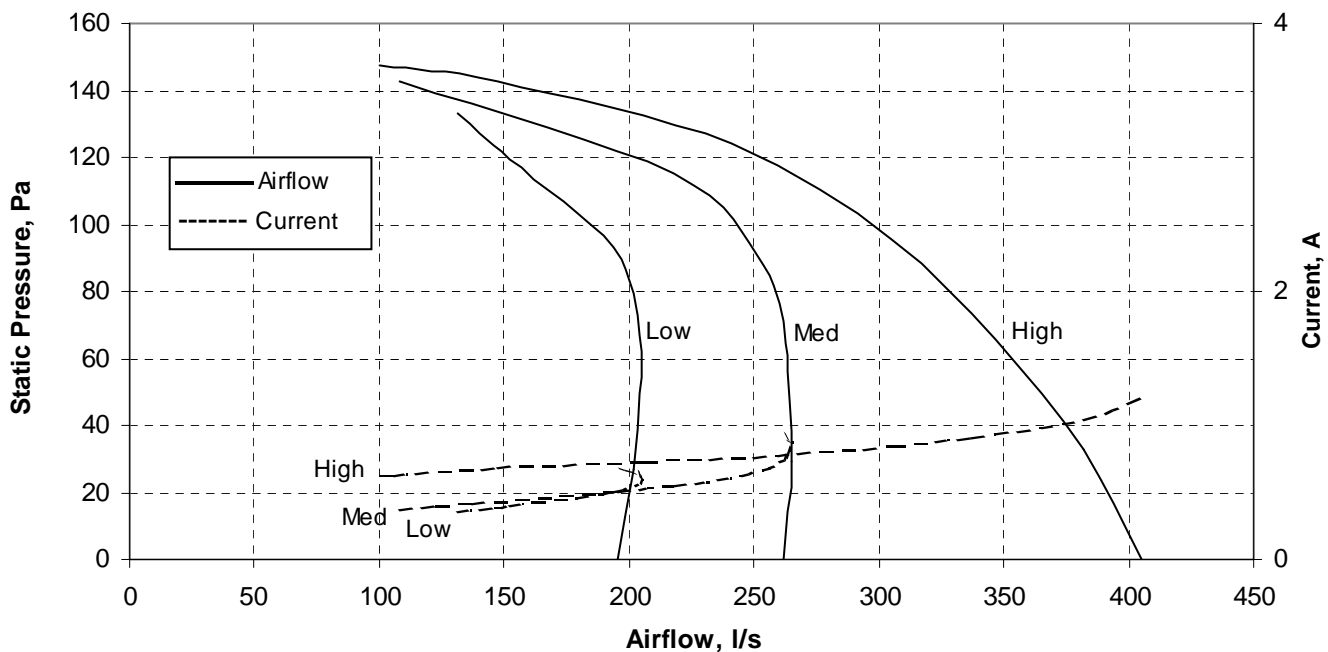
610 fan deck with 100W motor



Part Number	A	B	C	D	E	F	G	H	J	K	Nutsert
FD 610-100-01	215	230	242	205	598	650	163	203	84	16	M6

Motor					
Rated Output 100W	Supply 240V/50Hz	Rated RPM 1370	Rated Current 1.1 amps	Capacitor 2uF/440V	Insulation Class B 130
Enclosure IP20	Thermal Protection Auto Reset Overload		Duty AOM		

Wheels	
Filled Polypropylene with plated mild steel hub	

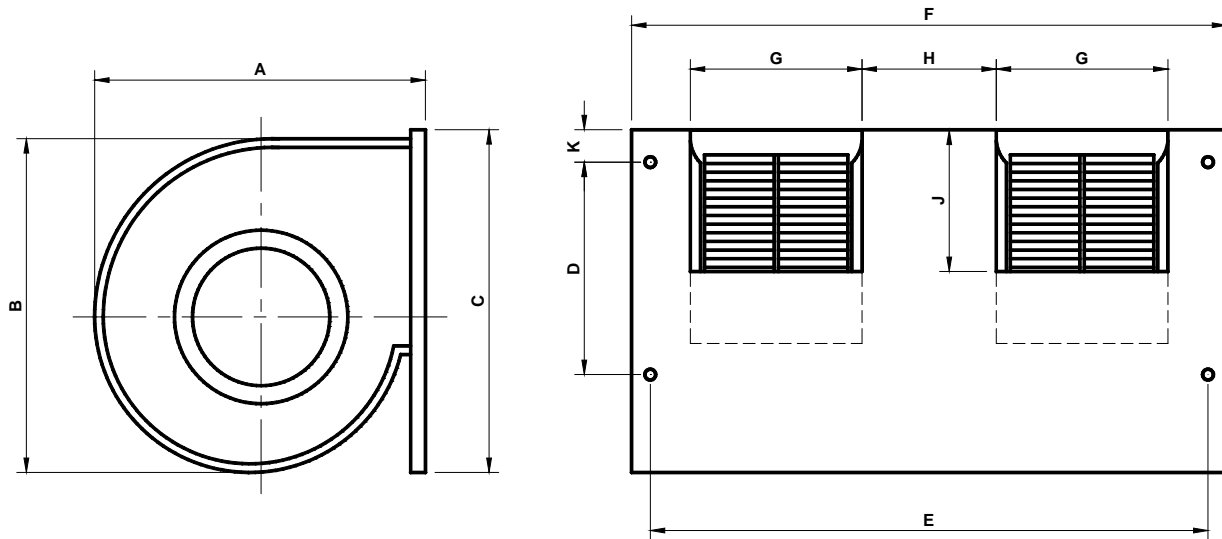


Dimensions

Product Data

Performance

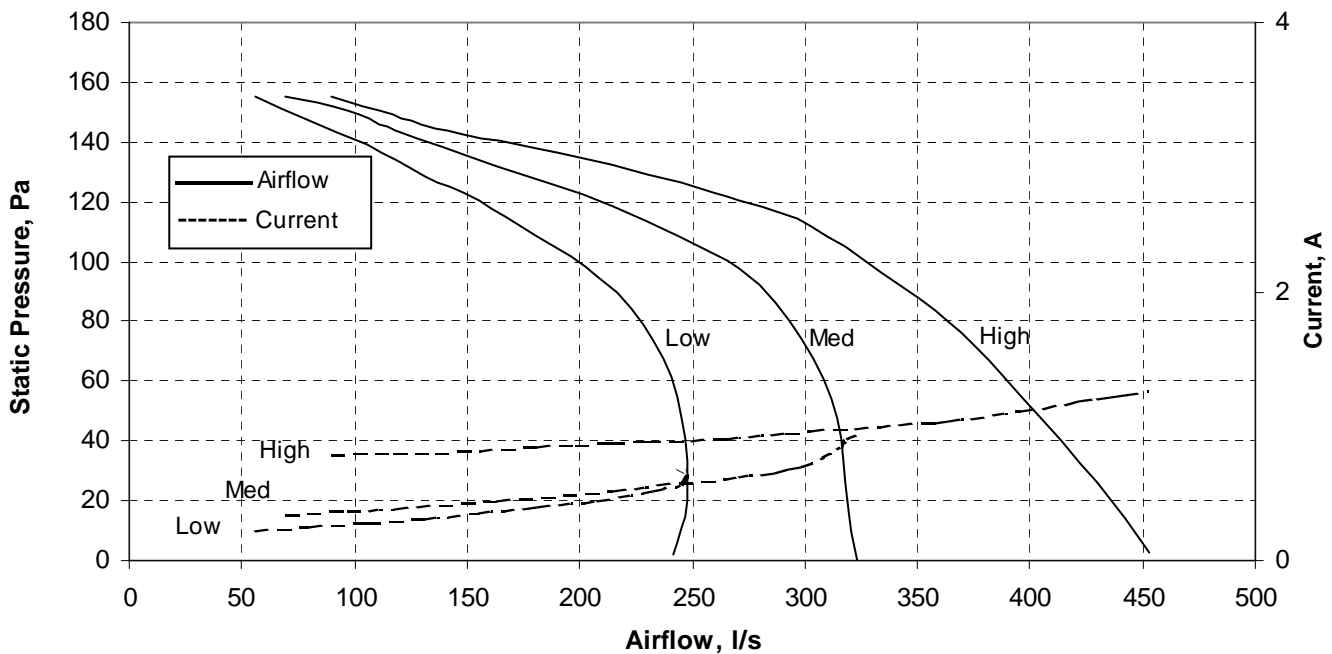
610 fan deck with 130W motor



Part Number	A	B	C	D	E	F	G	H	J	K	Nutsert
FD 610-130-01	215	230	242	205	598	650	163	203	84	16	M6

Motor					
Rated Output 130W	Supply 240V/50Hz	Rated RPM 1370	Rated Current 1.2 amps	Capacitor 4uF/440V	Insulation Class B 130
Enclosure IP20	Thermal Protection Auto Reset Overload		Duty AOM		

Wheels
Filled Polypropylene with plated mild steel hub

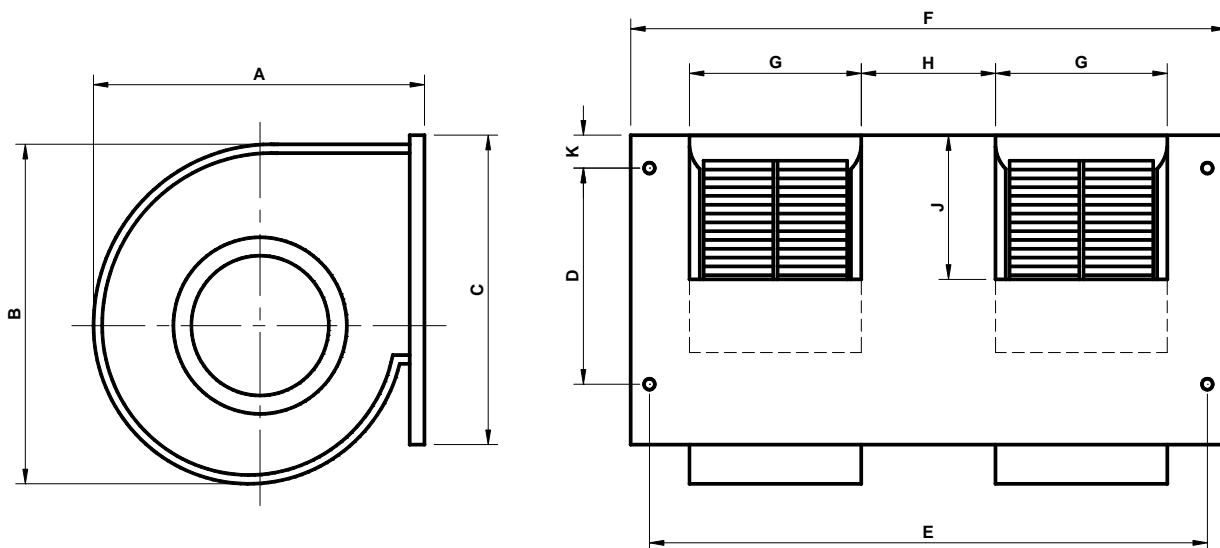


Dimensions

Product Data

Performance

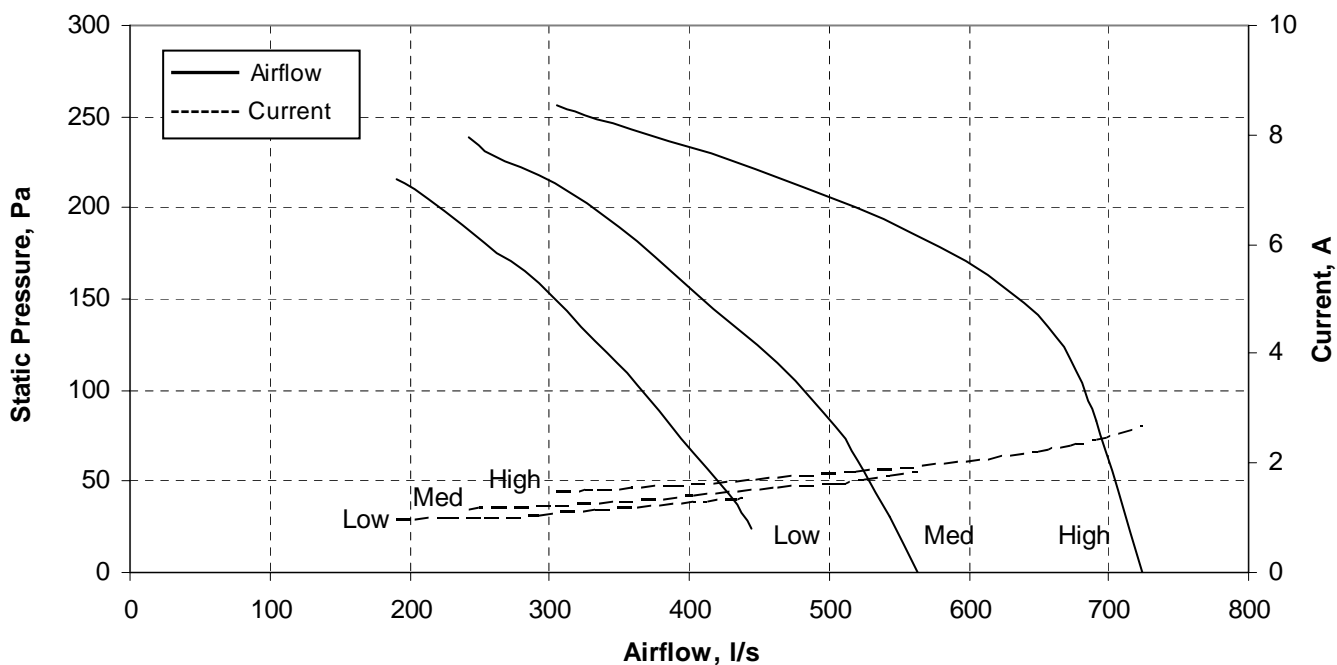
8x8 tight fan deck with 250W motor



Part Number	A	B	C	D	E	F	G	H	J	K	Nutsert
FD 8x8T-250-01	267	303	308	257	762	810	250	205	163	25	M6

Motor					
Rated Output 250W	Supply 240V/50Hz	Rated RPM 1300	Rated Current 1.8 amps	Capacitor 6uF/440V	Insulation Class B 130
Enclosure IP20	Thermal Protection Auto Reset Overload		Duty AOM		

Wheels
Glass Filled Nylon or Glass Filled Polypropylene with plated mild steel hub

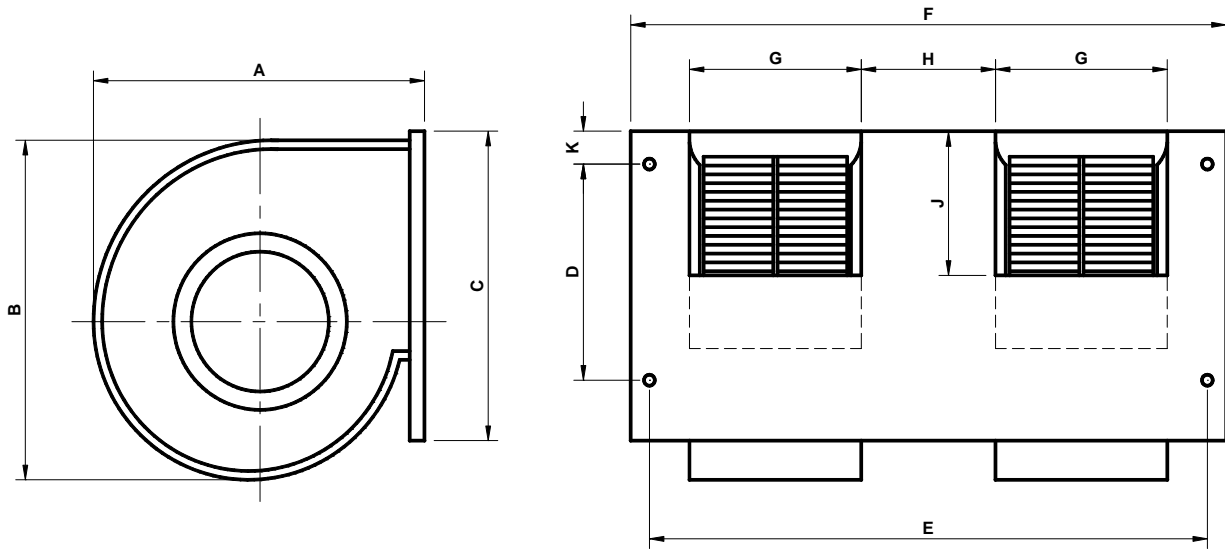


Dimensions

Product Data

Performance

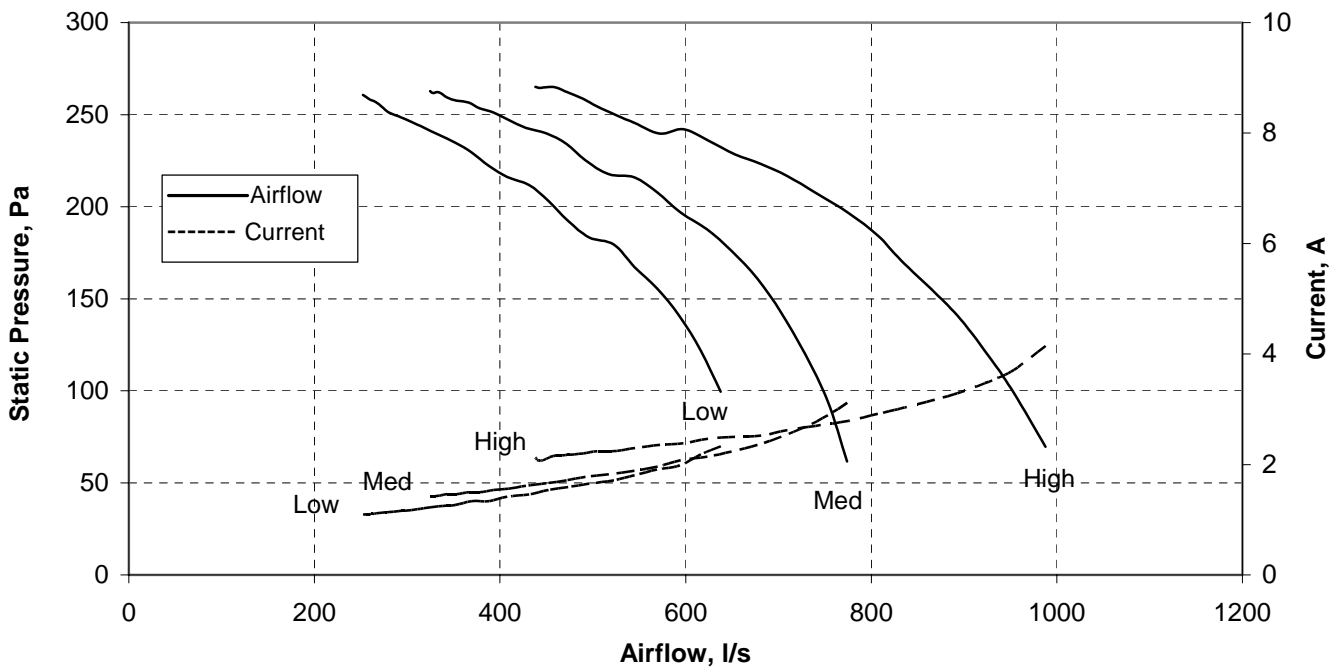
8x8 fan deck with 315W motor



Part Number	A	B	C	D	E	F	G	H	J	K	Nutsert
FD 8x8-315-01	280	320	308	255	760	810	250	205	163	25	M6

Motor					
Rated Output 315W	Supply 240V/50Hz	Rated RPM 1350	Rated Current 2.5 amps	Capacitor 4uF/440V	Insulation Class B 130
Enclosure IP20	Thermal Protection Auto Reset Overload		Duty AOM		

Wheels
Glass Filled Nylon or Glass Filled Polypropylene with plated mild steel hub

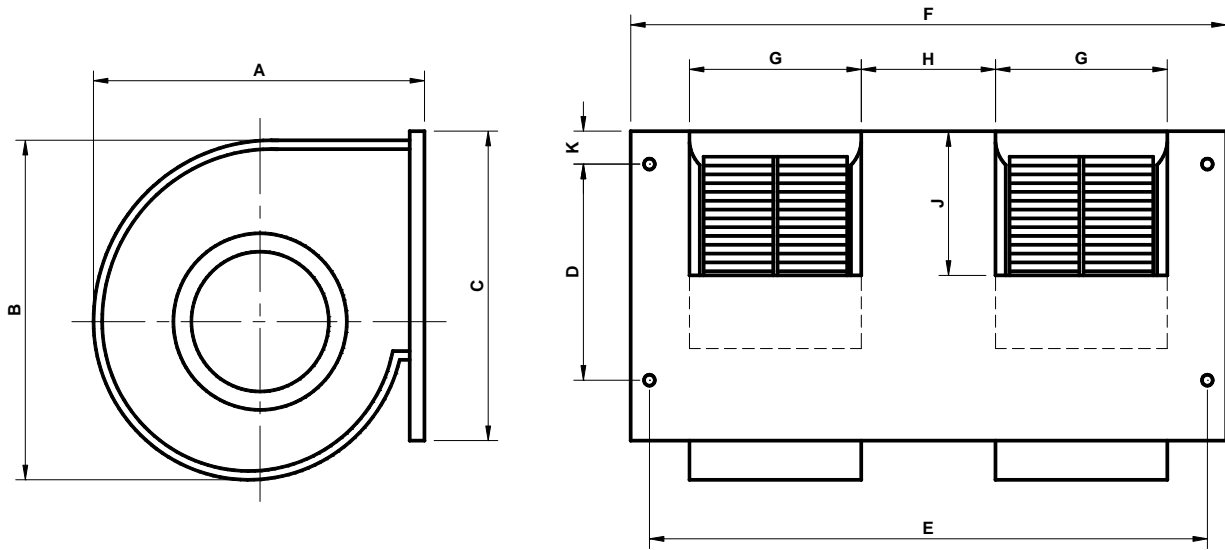


Dimensions

Product Data

Performance

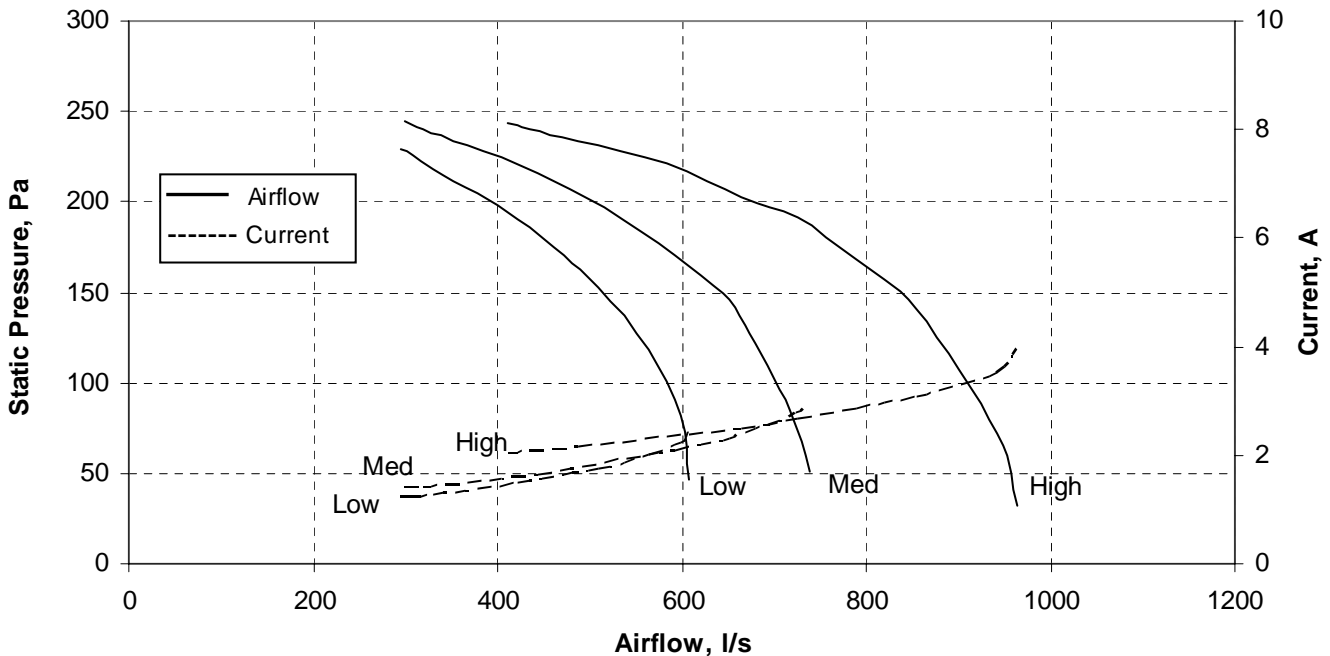
8x8 tight fan deck with 315W motor



Part Number	A	B	C	D	E	F	G	H	J	K	Nutsert
FD 8x8T-315-02	267	303	308	257	762	810	250	205	163	25	M6

Motor					
Rated Output 315W	Supply 240V/50Hz	Rated RPM 1350	Rated Current 2.5 amps	Capacitor 4uF/440V	Insulation Class B 130
Enclosure IP20	Thermal Protection Auto Reset Overload		Duty AOM		

Wheels
Glass Filled Nylon or Glass Filled Polypropylene with plated mild steel hub

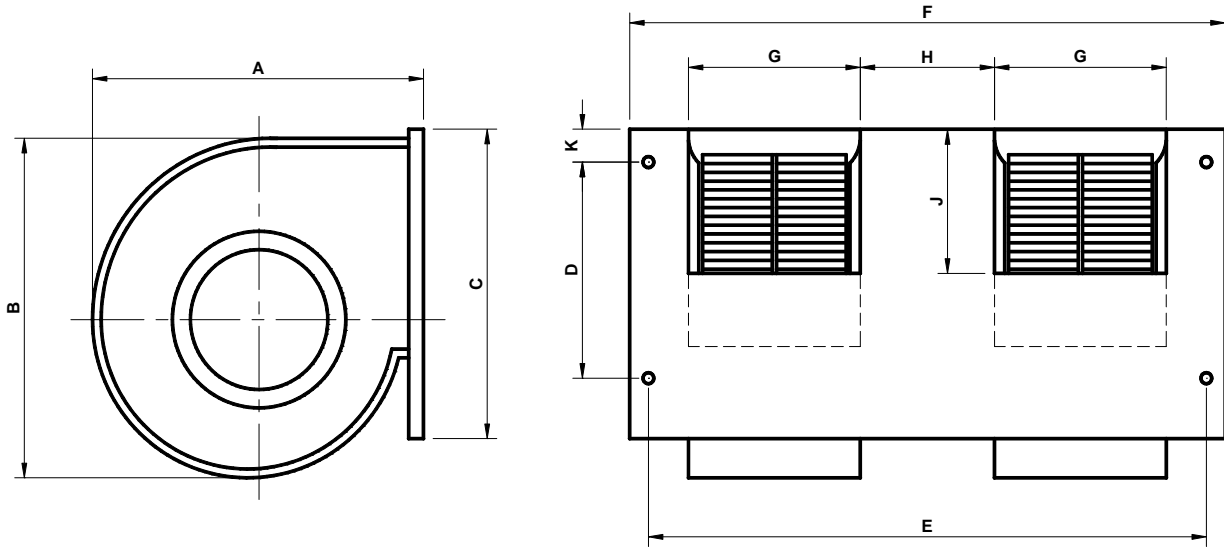


Dimensions

Product Data

Performance

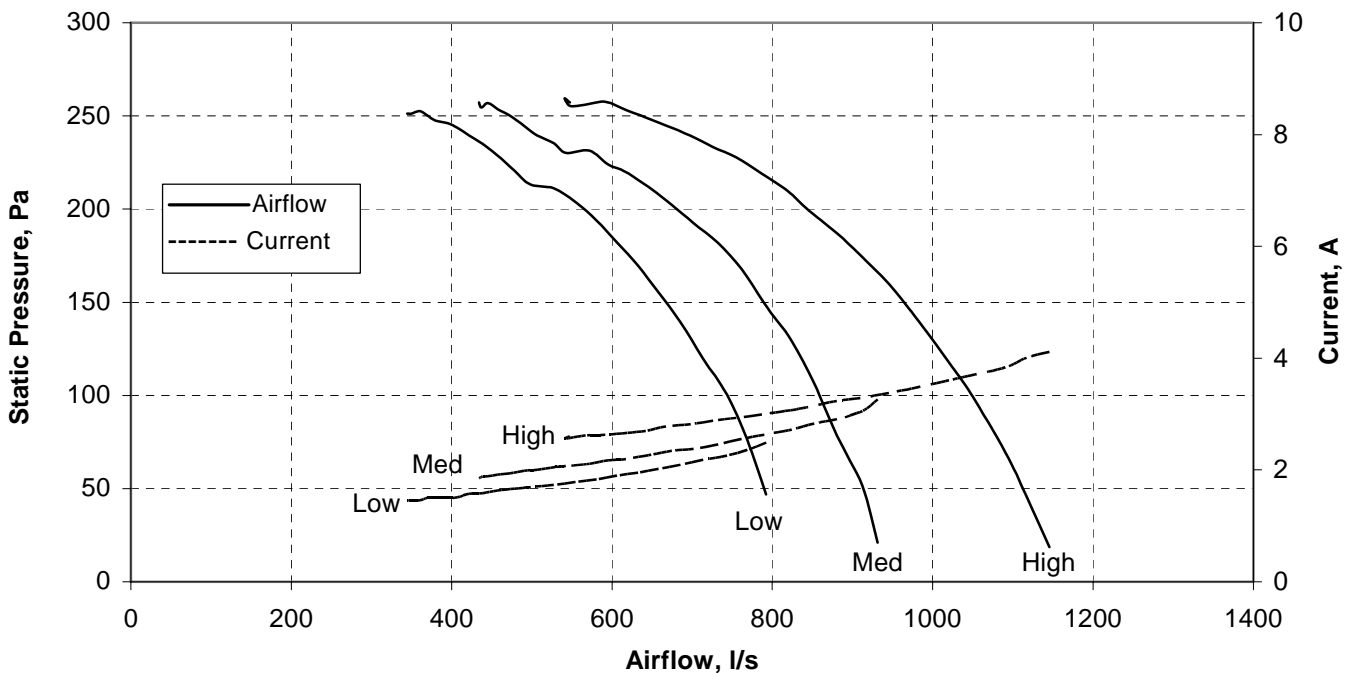
8x8 fan deck with 425W motor



Part Number	A	B	C	D	E	F	G	H	J	K	Nutsert
FD 8x8-425-01	280	320	308	255	760	810	250	205	163	25	M6

Motor					
Rated Output 425W	Supply 240V/50Hz	Rated RPM 1315	Rated Current 3.6 amps	Capacitor 10uF/440V	Insulation Class B 130
Enclosure IP20	Thermal Protection Auto Reset Overload		Duty AOM		

Wheels
Glass Filled Nylon or Glass Filled Polypropylene with plated mild steel hub

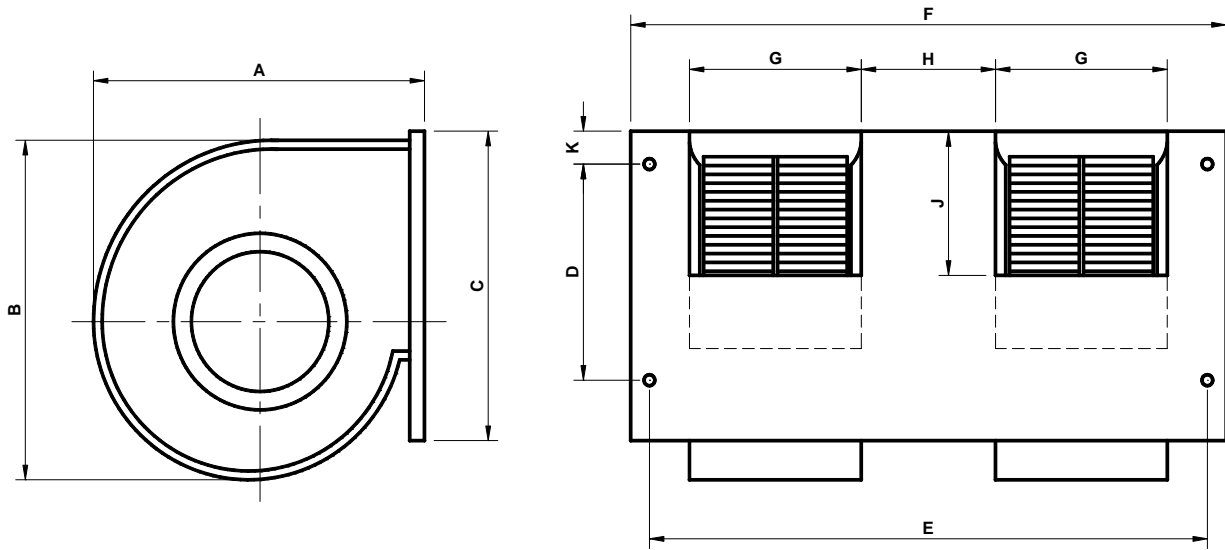


Dimensions

Product Data

Performance

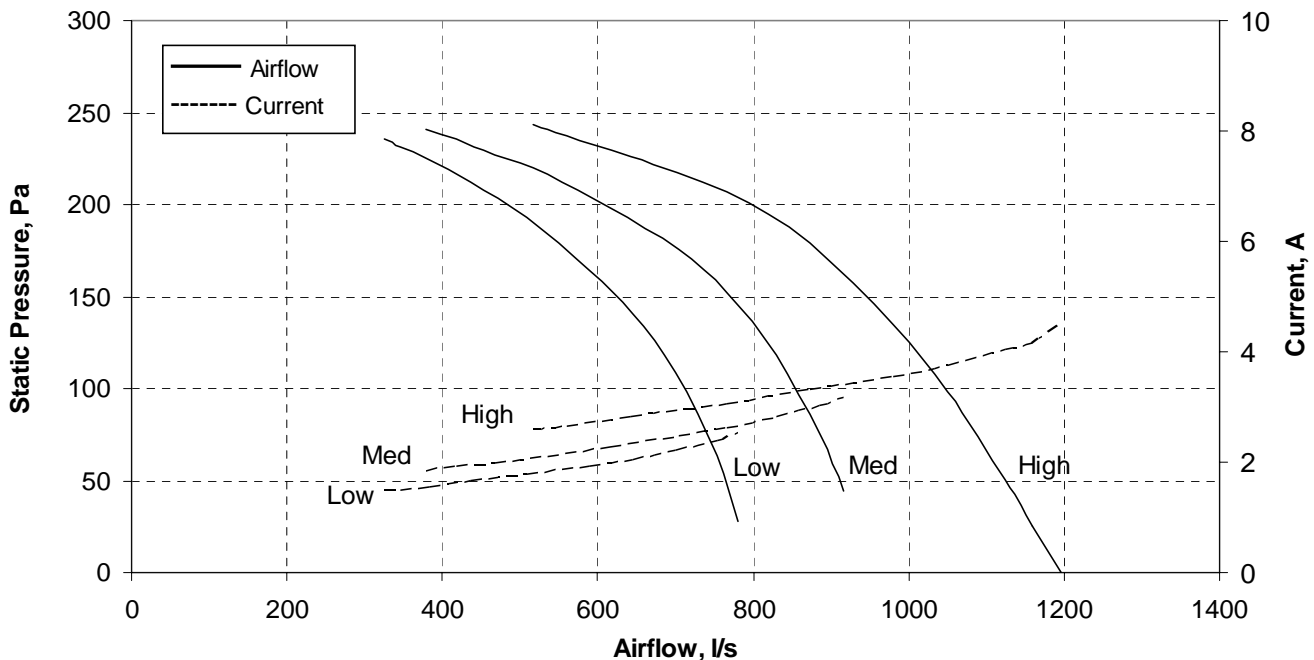
8x8 tight fan deck with 425W motor



Part Number	A	B	C	D	E	F	G	H	J	K	Nutsert
FD 8x8T-425-06	267	303	308	257	762	810	250	205	163	25	M6

Motor					
Rated Output 425W	Supply 240V/50Hz	Rated RPM 1315	Rated Current 3.6 amps	Capacitor 10uF/440V	Insulation Class B 130
Enclosure IP20	Thermal Protection Auto Reset Overload		Duty AOM		

Wheels	
Glass Filled Nylon or Glass Filled Polypropylene with plated mild steel hub	

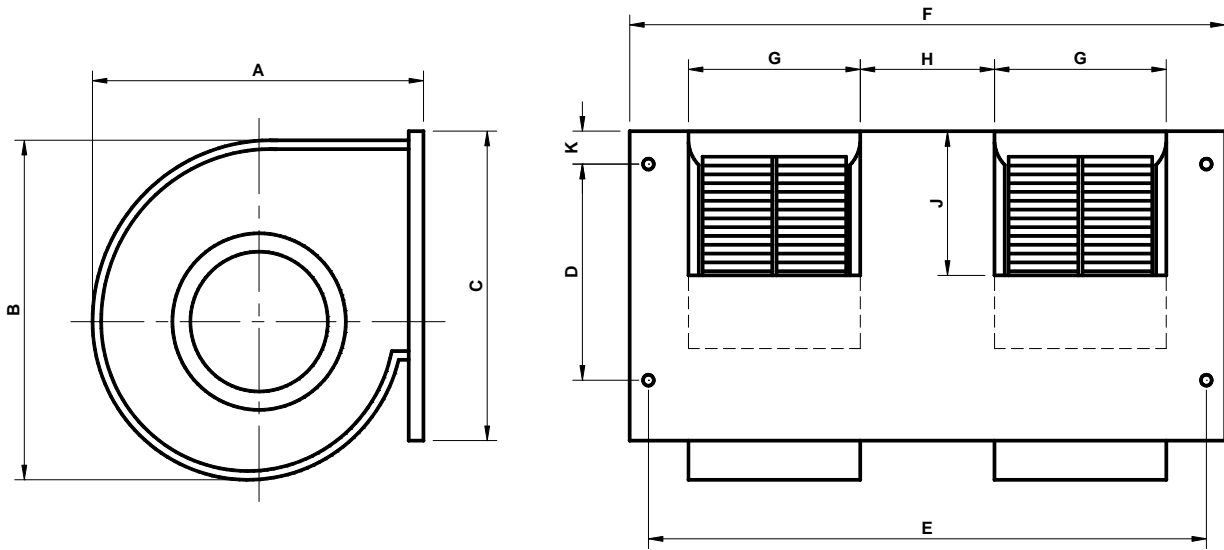


Dimensions

Product Data

Performance

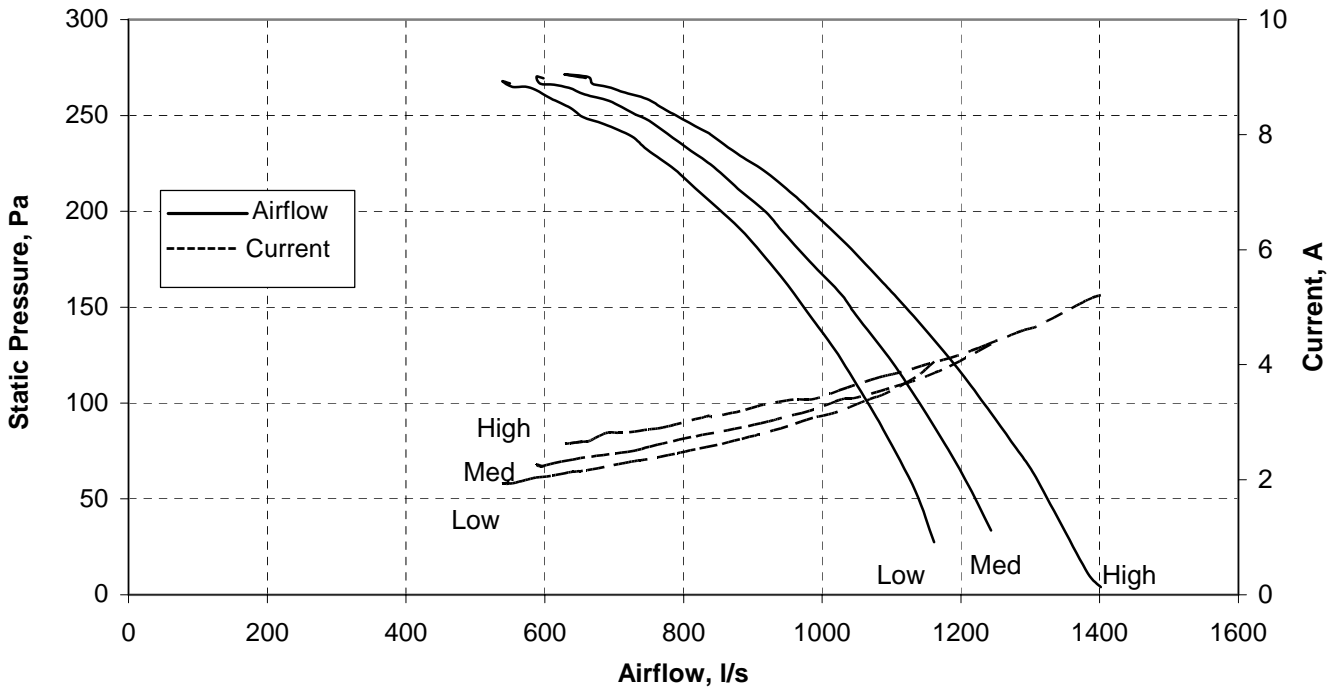
8x8 fan deck with 600W motor



Part Number	A	B	C	D	E	F	G	H	J	K	Nutsert
FD 8x8-600-01	280	320	308	255	760	810	250	205	163	25	M6

Motor					
Rated Output 600W	Supply 240V/50Hz	Rated RPM 1330	Rated Current 4.0 amps	Capacitor 15uF/440V	Insulation Class B 130
Enclosure IP20	Thermal Protection Auto Reset Overload		Duty AOM		

Wheels
Glass Filled Nylon or Glass Filled Polypropylene with plated mild steel hub

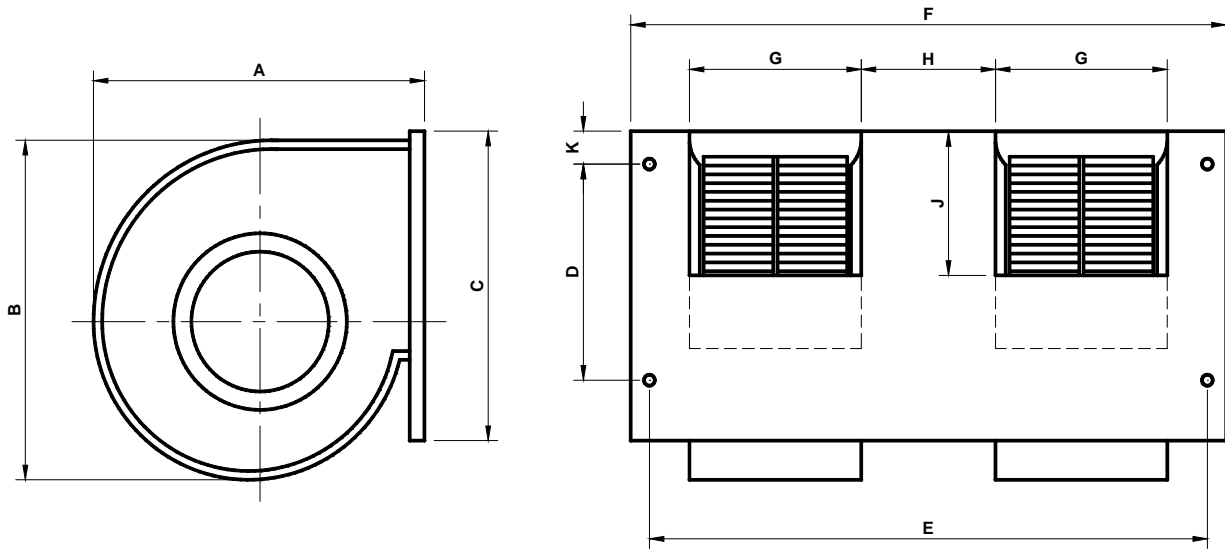


Dimensions

Product Data

Performance

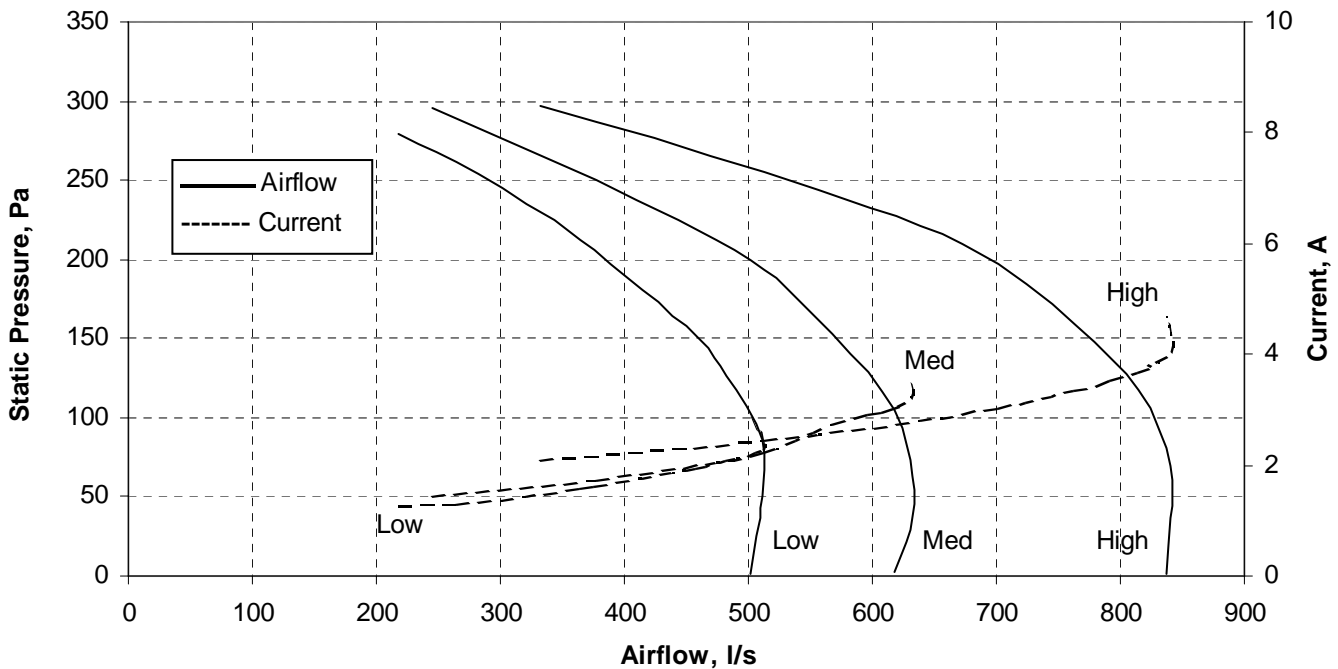
9x7 tight fan deck with 315W motor



Part Number	A	B	C	D	E	F	G	H	J	K	Nutsert
FD 9x7T-315-02	320	325	311	262	765	816	235	227	169	25	M6
FD 9x7T-315-03	320	325	314	257	762	814	235	239	169	29	M6

Motor					
Rated Output 315W	Supply 240V/50Hz	Rated RPM 1350	Rated Current 2.5 amps	Capacitor 4uF/440V	Insulation Class B 130
Enclosure IP20	Thermal Protection Auto Reset Overload		Duty AOM		

Wheels
Glass Filled Nylon or Glass Filled Polypropylene with plated mild steel hub

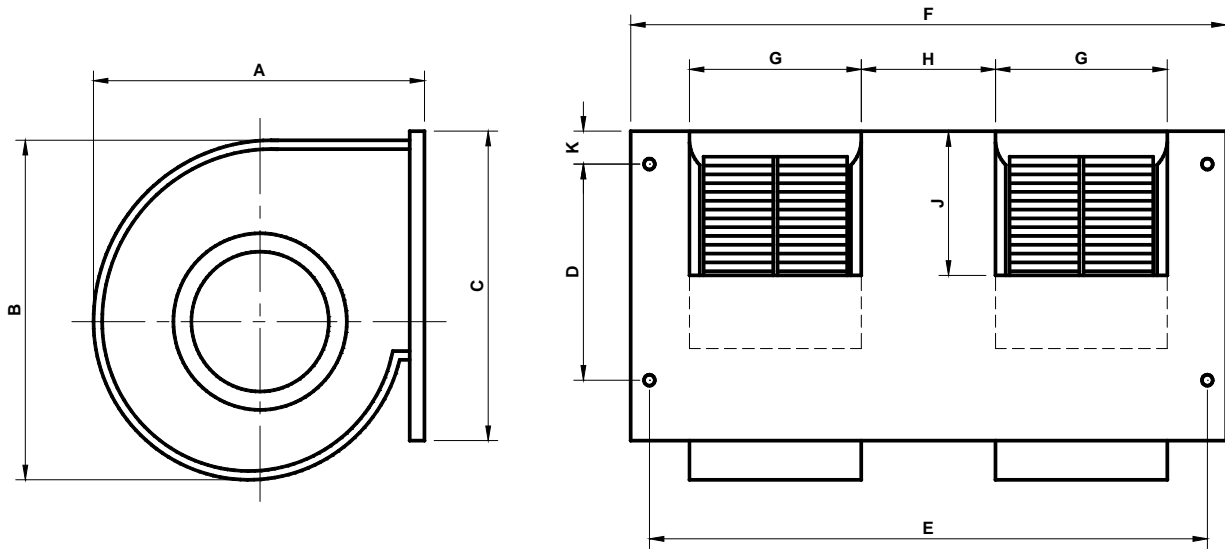


Dimensions

Product Data

Performance

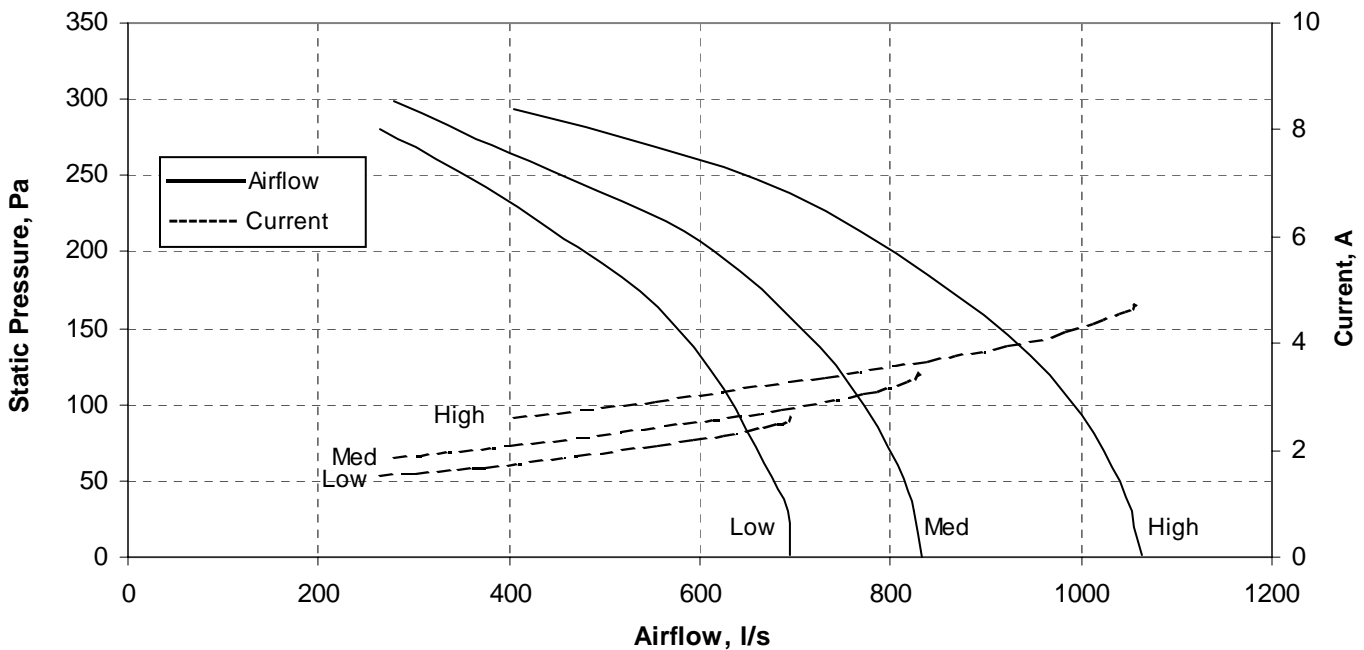
9x7 tight fan deck with 425W motor



Part Number	A	B	C	D	E	F	G	H	J	K	Nutsert
FD 9x7T-425-02	320	325	311	262	765	816	235	227	169	25	M6
FD 9x7T-425-03	320	325	314	257	762	814	235	239	169	29	M6

Motor					
Rated Output 425W	Supply 240V/50Hz	Rated RPM 1315	Rated Current 3.6 amps	Capacitor 10uF/440V	Insulation Class B 130
Enclosure IP20	Thermal Protection Auto Reset Overload		Duty AOM		

Wheels
Glass Filled Nylon or Glass Filled Polypropylene with plated mild steel hub

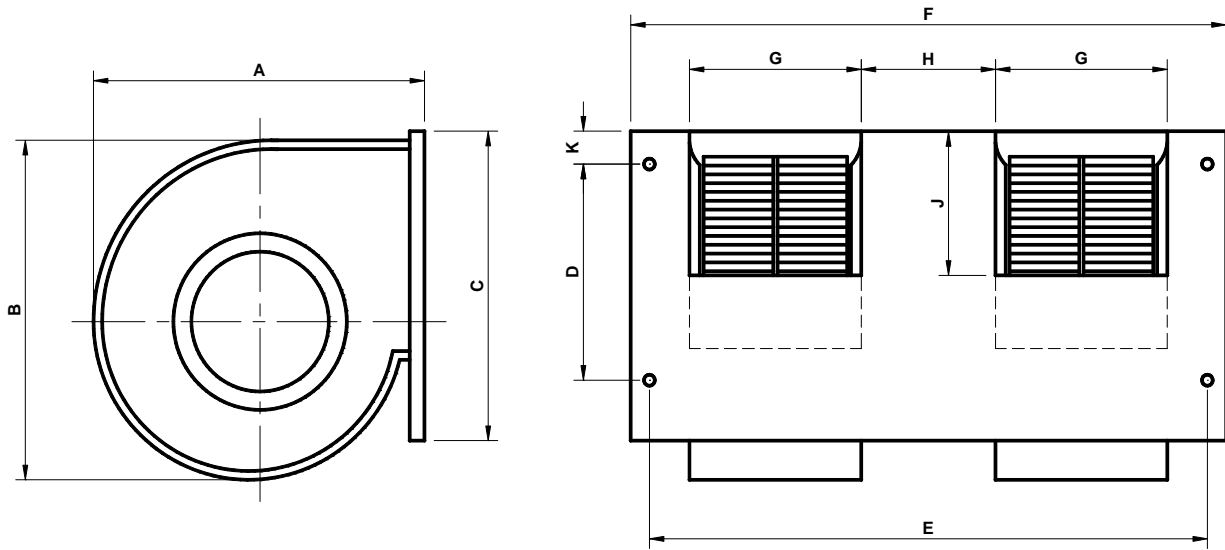


Dimensions

Product Data

Performance

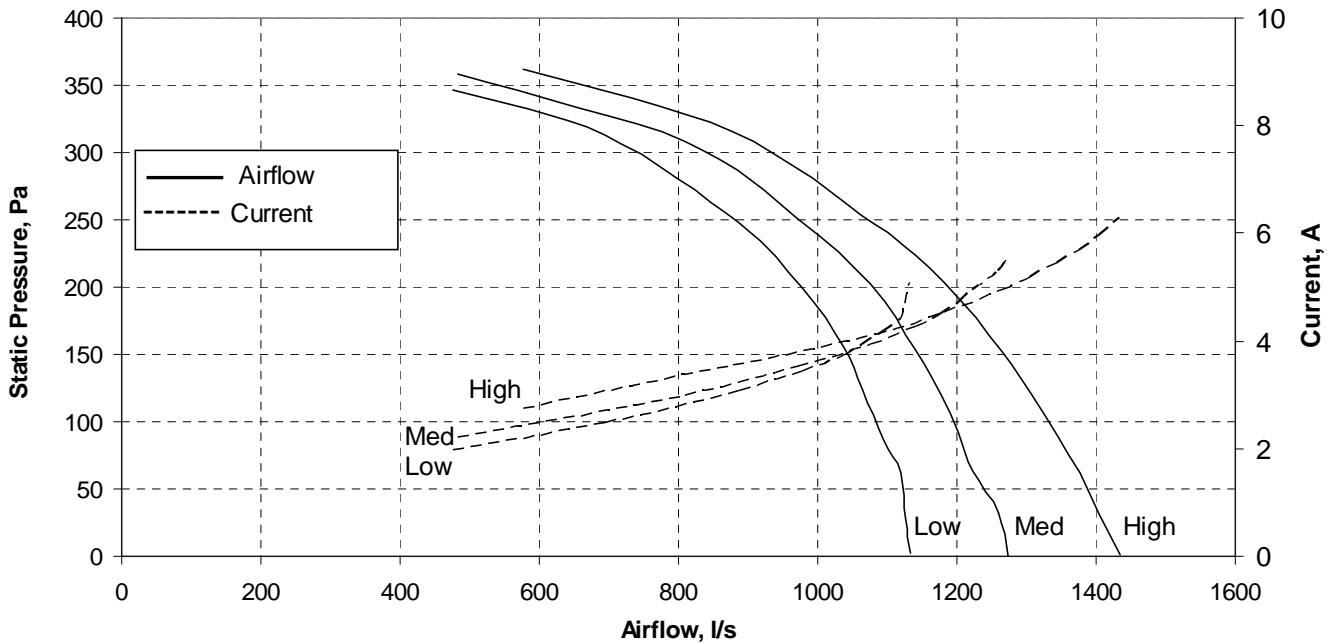
9x7 mid fan deck with 600W motor



Part Number	A	B	C	D	E	F	G	H	J	K	Nutsert
FD 9x7M-600-15	335	360	350	295	765	813	234	227	169	28	M8

Motor					
Rated Output 600W	Supply 240V/50Hz	Rated RPM 1330	Rated Current 4.0 amps	Capacitor 15uF/440V	Insulation Class B 130
Enclosure IP20	Thermal Protection Auto Reset Overload		Duty AOM		

Wheels
Glass Filled Nylon or Glass Filled Polypropylene with plated mild steel hub

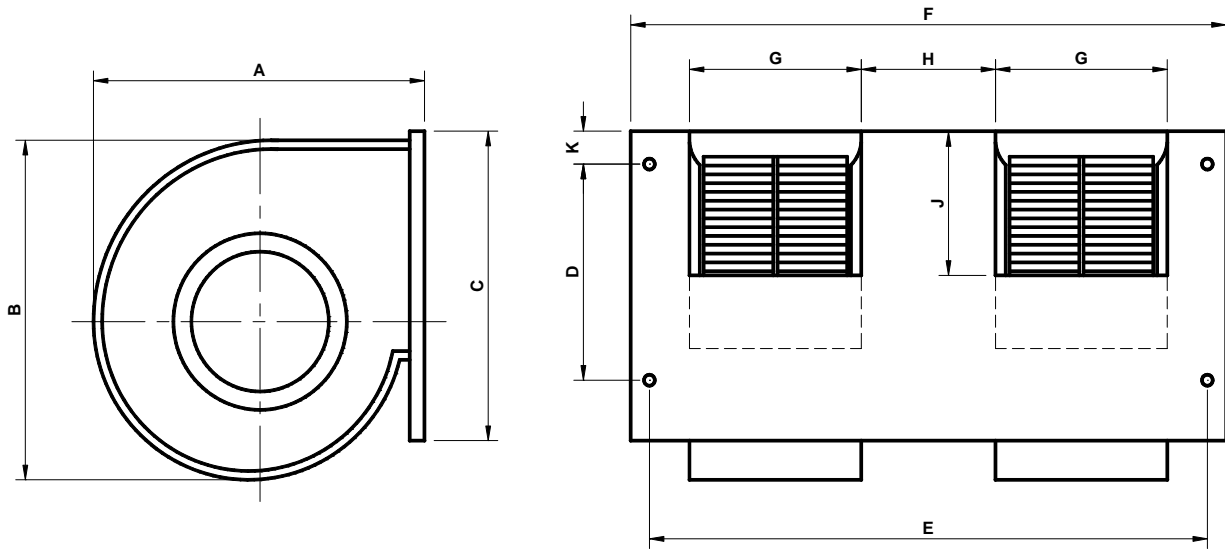


Dimensions

Product Data

Performance

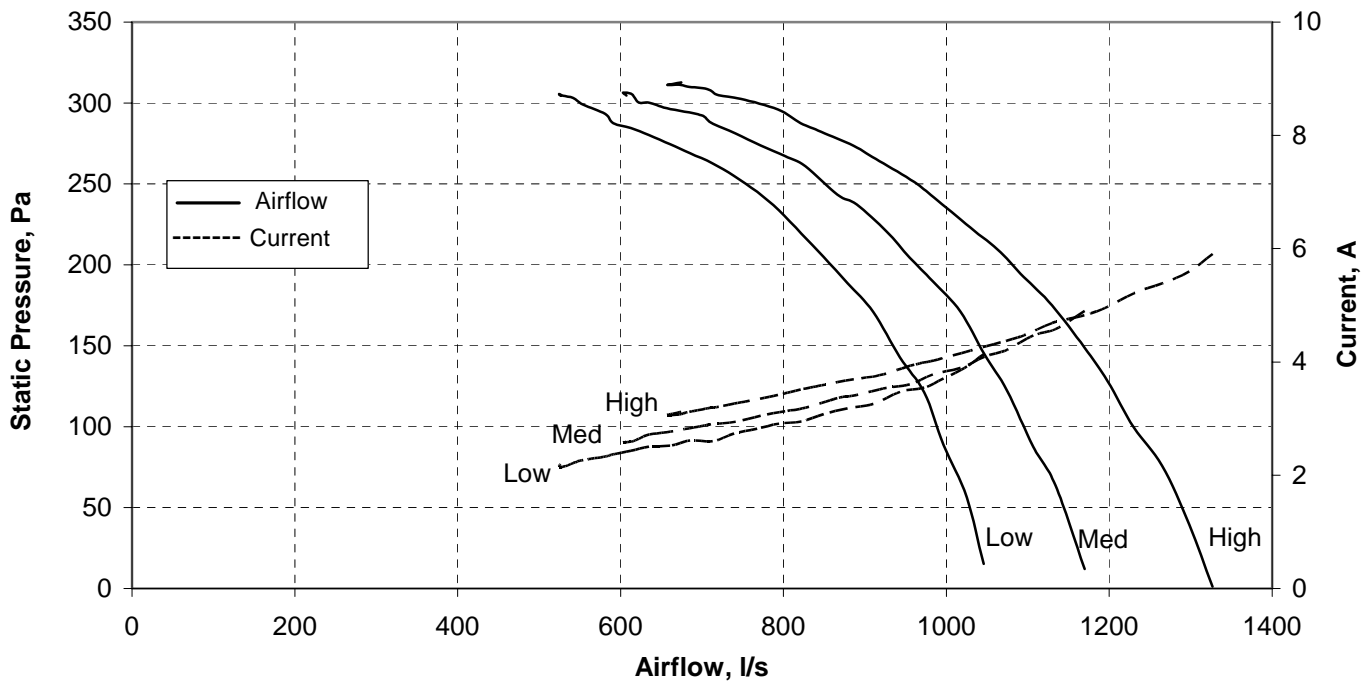
9x7 tight fan deck with 600W motor



Part Number	A	B	C	D	E	F	G	H	J	K	Nutsert
FD 9x7T-600-12	320	329	311	262	765	816	235	227	169	25	M6
FD 9x7T-600-13	320	329	314	257	762	814	235	239	169	25	M6

Motor					
Rated Output 600W	Supply 240V/50Hz	Rated RPM 1330	Rated Current 4.0 amps	Capacitor 15uF/440V	Insulation Class B 130
Enclosure IP20	Thermal Protection Auto Reset Overload		Duty AOM		

Wheels
Glass Filled Nylon or Glass Filled Polypropylene with plated mild steel hub

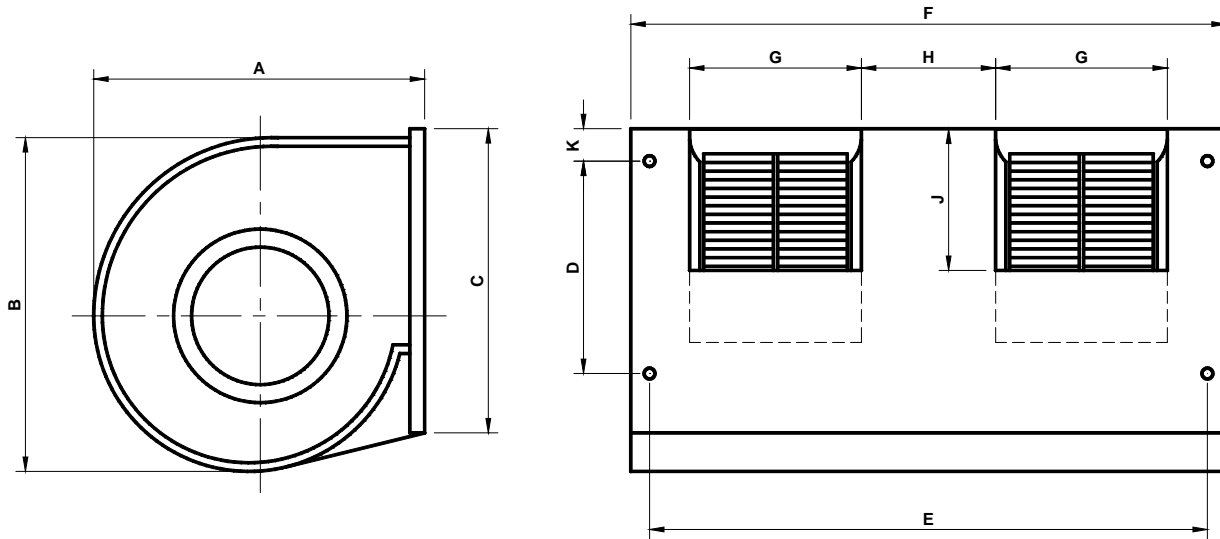


Dimensions

Product Data

Performance

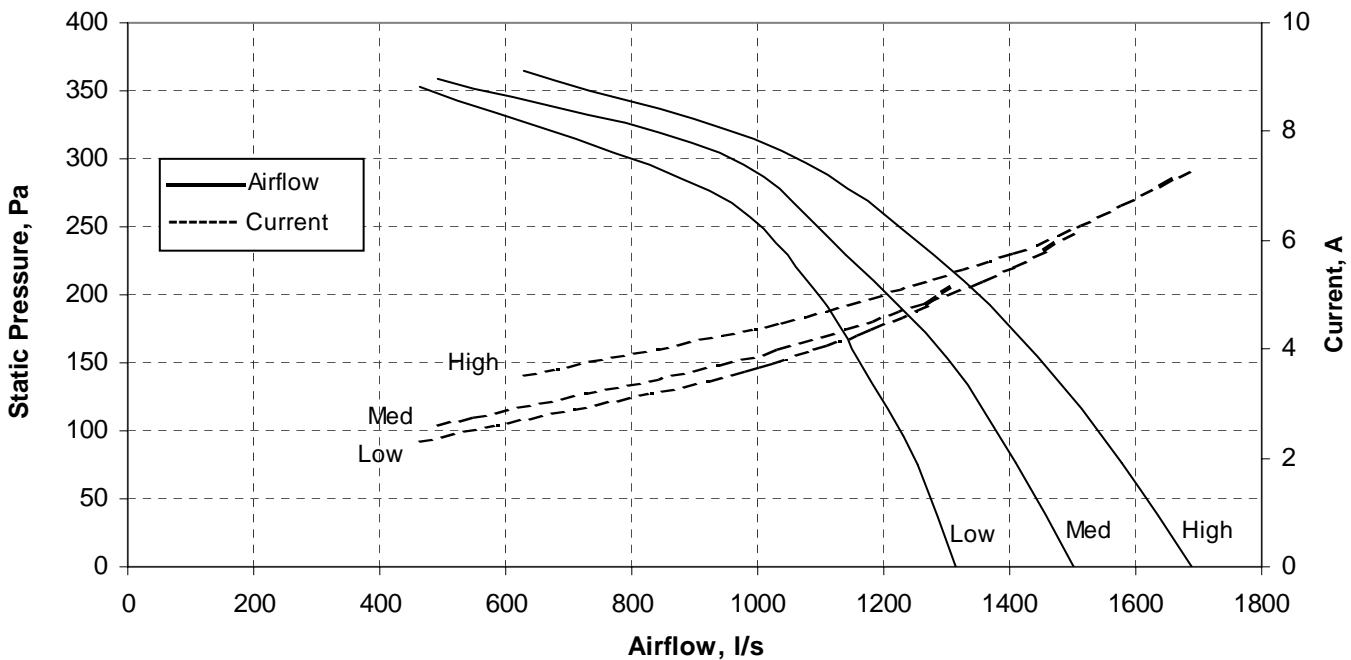
9x7 fan deck with 750W motor



Part Number	A	B	C	D	E	F	G	H	J	K	Nutsert
FD 9x7-750-06	381	389	311	262	765	816	235	230	169	25	M6
FD 9x7-750-02	381	389	311	257	762	816	235	230	169	27	M6

Motor					
Rated Output 750W	Supply 240V/50Hz	Rated RPM 1360	Rated Current 4.9 amps	Capacitor 20uF/440V	Insulation Class B 130
Enclosure IP20	Thermal Protection Auto Reset Overload		Duty AOM		

Wheels
Glass Filled Nylon or Glass Filled Polypropylene with plated mild steel hub

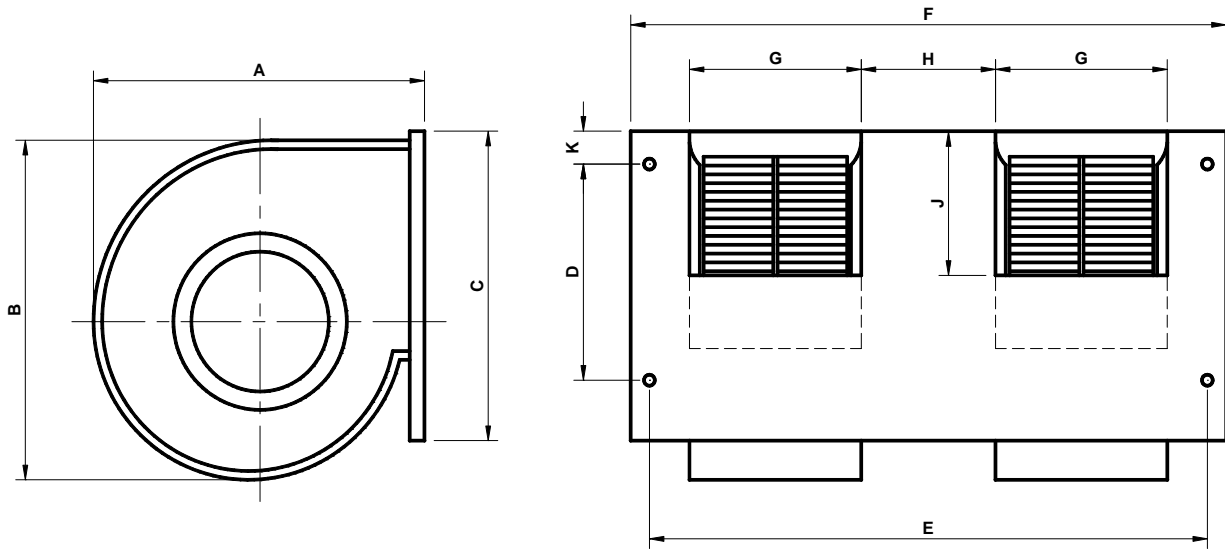


Dimensions

Product Data

Performance

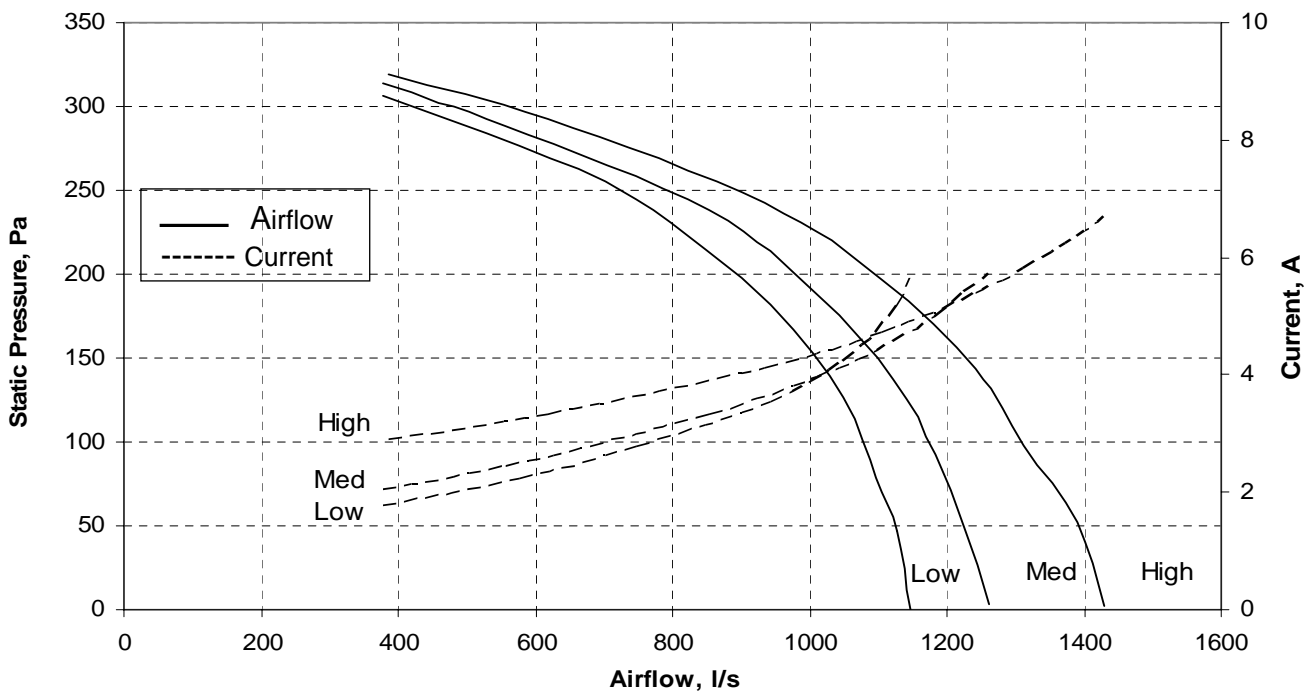
9x7 tight fan deck with 750W motor



Part Number	A	B	C	D	E	F	G	H	J	K	Nutsert
FD 9x7T-750-05	320	325	311	262	765	816	235	227	169	25	M6
FD 9x7T-750-04	320	325	314	257	762	814	235	239	169	29	M6

Motor					
Rated Output 750W	Supply 240V/50Hz	Rated RPM 1360	Rated Current 4.9 amps	Capacitor 20uF/440V	Insulation Class B 130
Enclosure IP20	Thermal Protection Auto Reset Overload		Duty AOM		

Wheels
Glass Filled Nylon or Glass Filled Polypropylene with plated mild steel hub

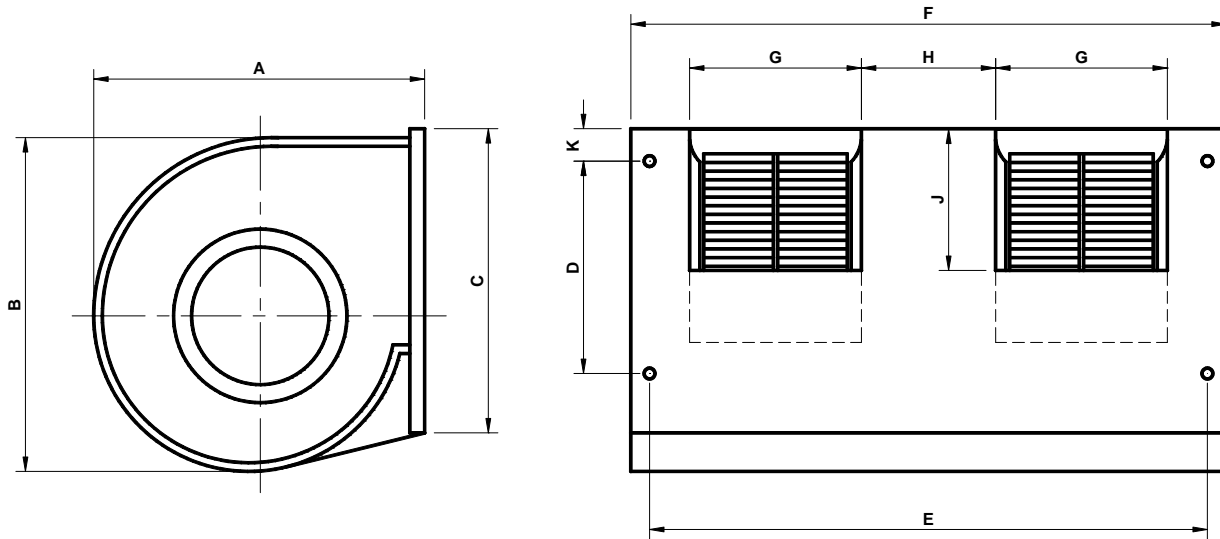


Dimensions

Product Data

Performance

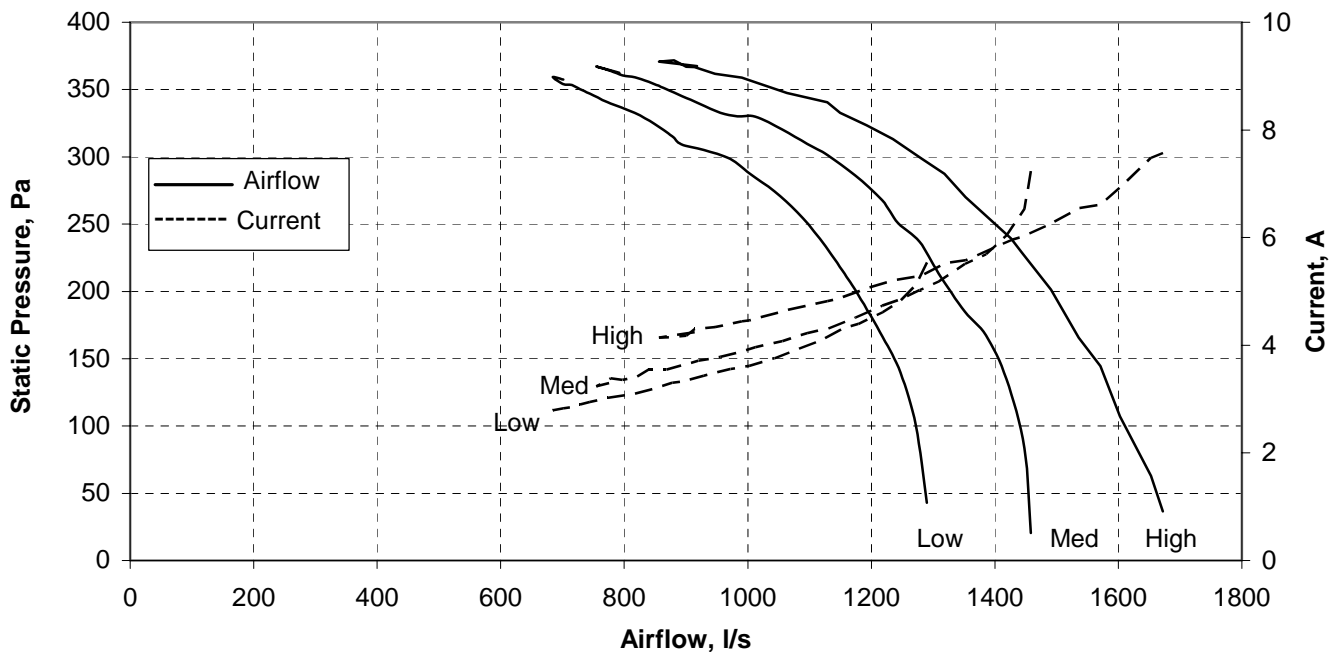
9x9 fan deck with 750W motor



Part Number	A	B	C	D	E	F	G	H	J	K	Nutsert
FD 9x9-750-03	381	389	311	255	875	901	303	225	170	28	M6
FD 9x9-750-02	381	389	311	257	870	901	303	225	170	28	M6

Motor					
Rated Output 750W	Supply 240V/50Hz	Rated RPM 1360	Rated Current 4.9 amps	Capacitor 20uF/440V	Insulation Class B 130
Enclosure IP20	Thermal Protection Auto Reset Overload		Duty AOM		

Wheels
Glass Filled Nylon or Glass Filled Polypropylene with plated mild steel hub

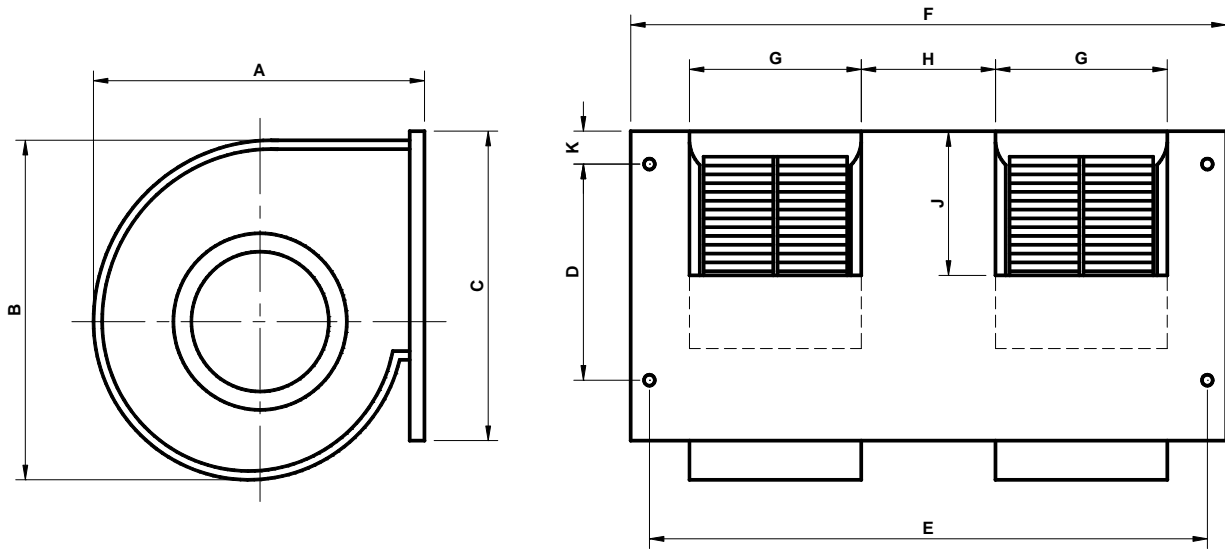


Dimensions

Product Data

Performance

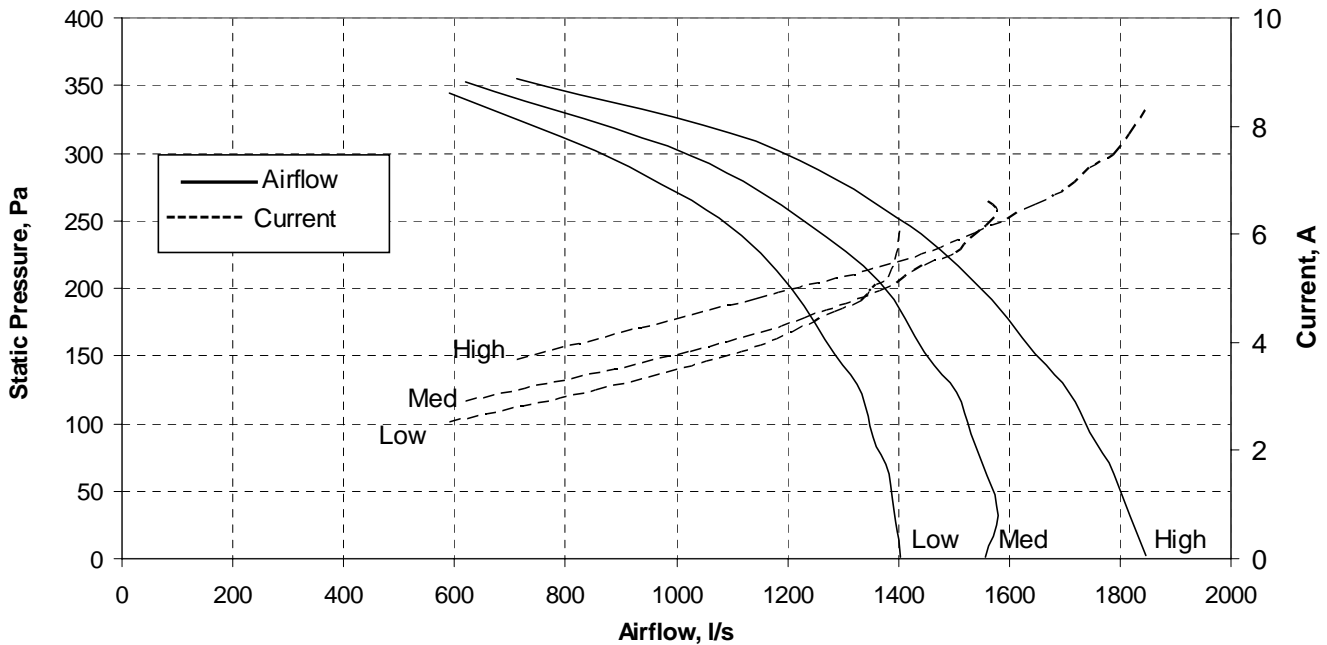
9x9 mid fan deck with 750W motor



Part Number	A	B	C	D	E	F	G	H	J	K	Nutsert
FD 9x9M-750-06	335	360	350	295	905	950	300	225	170	28	M8

Motor					
Rated Output 750W	Supply 240V/50Hz	Rated RPM 1360	Rated Current 4.9 amps	Capacitor 20uF/440V	Insulation Class B 130
Enclosure IP20	Thermal Protection Auto Reset Overload		Duty AOM		

Wheels
Glass Filled Nylon or Glass Filled Polypropylene with plated mild steel hub

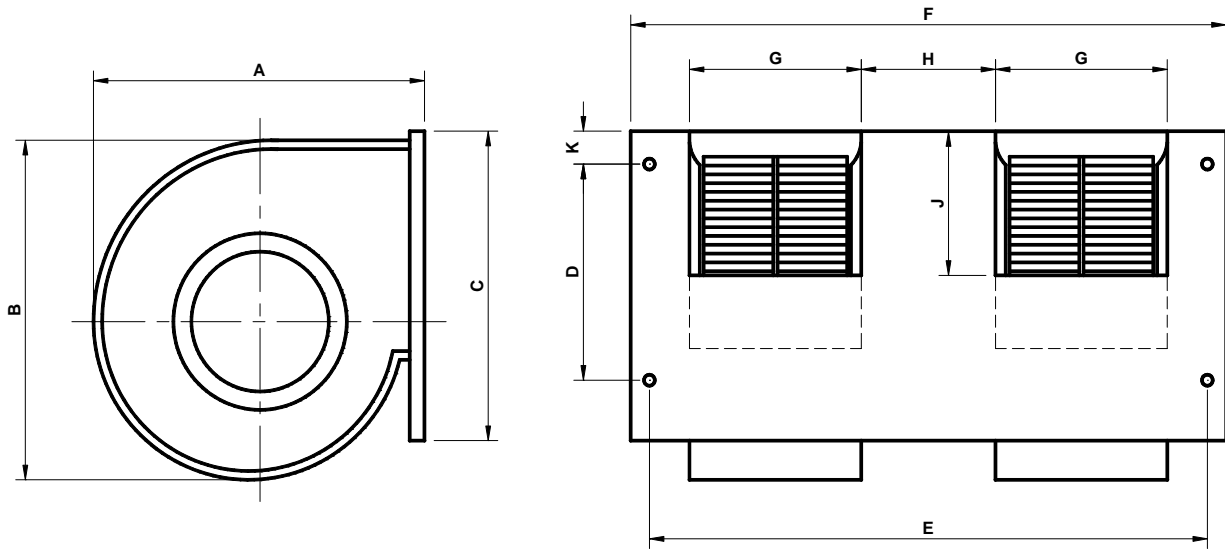


Dimensions

Product Data

Performance

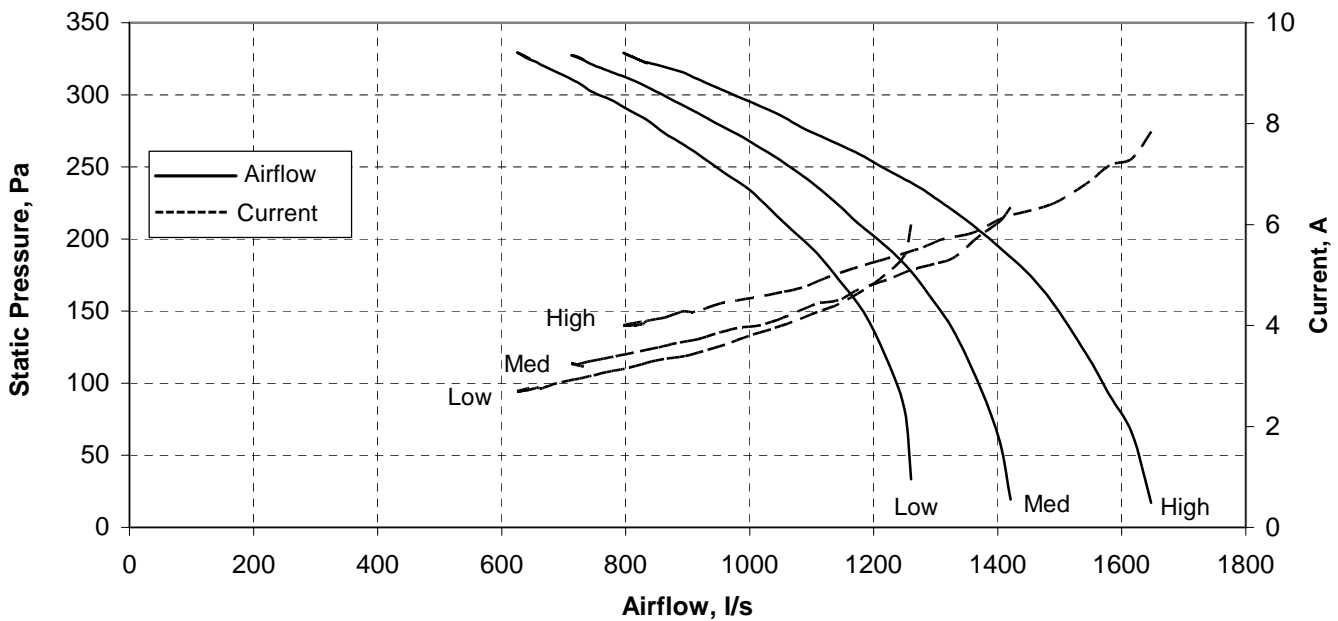
9x9 tight fan deck with 750W motor



Part Number	A	B	C	D	E	F	G	H	J	K	Nutsert
FD 9x9T-750-10	320	329	312	255	875	900	303	225	169	27	M6
FD 9x9T-750-08	320	329	311	257	870	900	303	225	170	28	M6

Motor					
Rated Output 750W	Supply 240V/50Hz	Rated RPM 1360	Rated Current 4.9 amps	Capacitor 20uF/440V	Insulation Class B 130
Enclosure IP20	Thermal Protection Auto Reset Overload		Duty AOM		

Wheels
Glass Filled Nylon or Glass Filled Polypropylene with plated mild steel hub

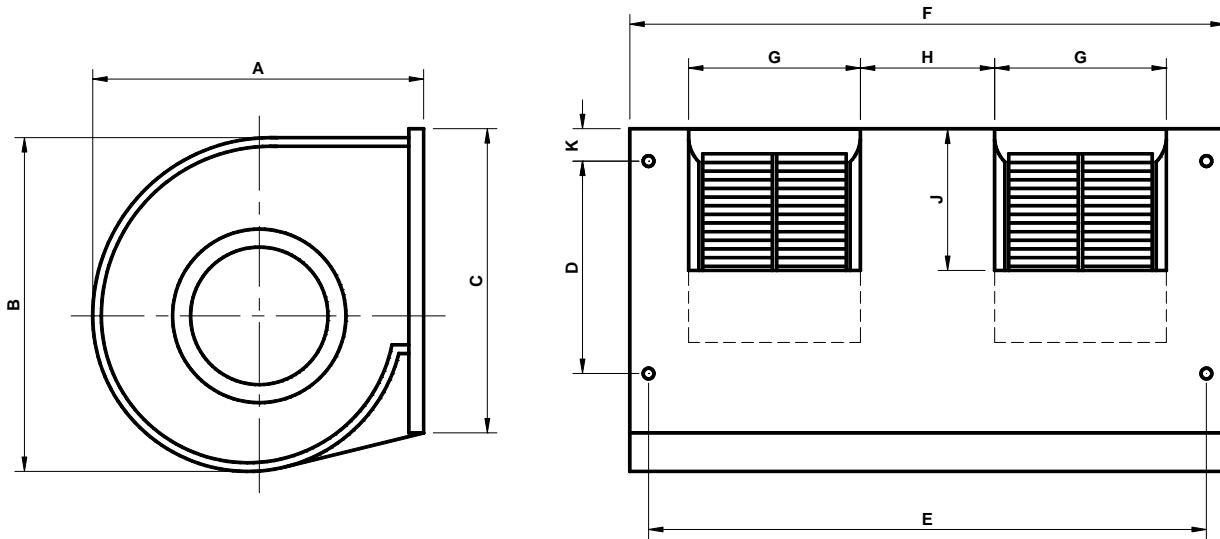


Dimensions

Product Data

Performance

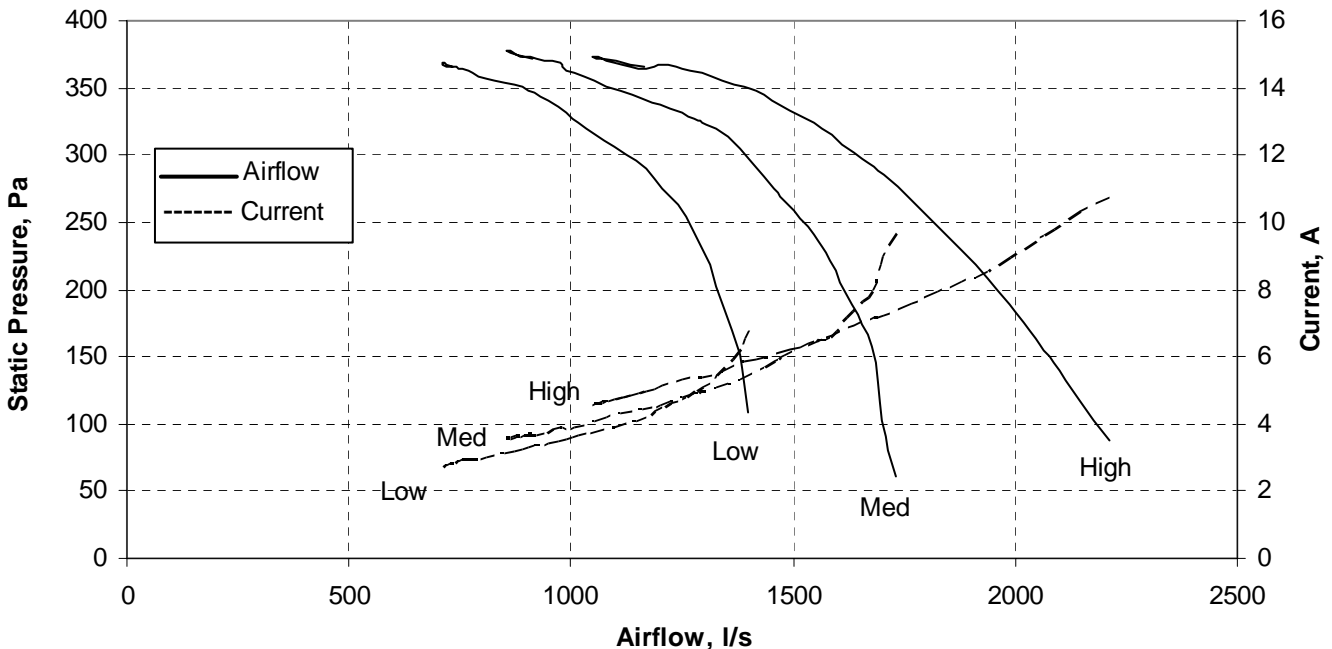
9x9 fan deck with 1100W motor



Part Number	A	B	C	D	E	F	G	H	J	K	Nutsert
FD 9x9-1100-02	381	389	427	325	1070	1250	303	346	170	52	M8
FD 9x9-1100-03	381	389	303	250	990	1040	303	335	170	30	M8

Motor					
Rated Output 1100W	Supply 240V/50Hz	Rated RPM 1410	Rated Current 7.1 amps	Capacitor 30uF/370V	Insulation Class B 130
Enclosure IP20	Thermal Protection Auto Reset Overload		Duty AOM		

Wheels
Glass Filled Nylon or Glass Filled Polypropylene with plated mild steel hub

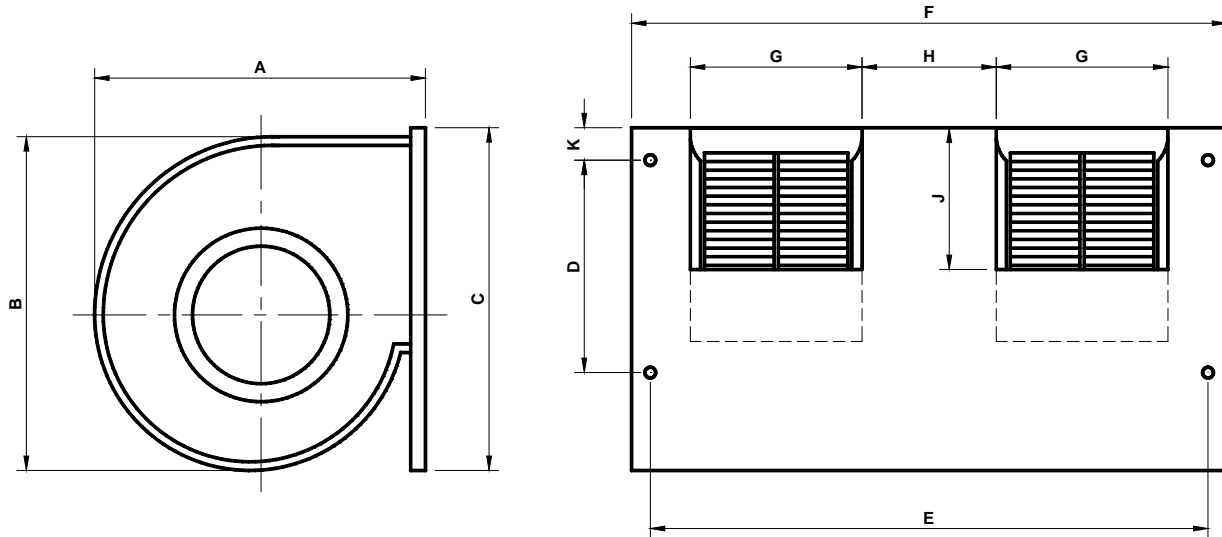


Dimensions

Product Data

Performance

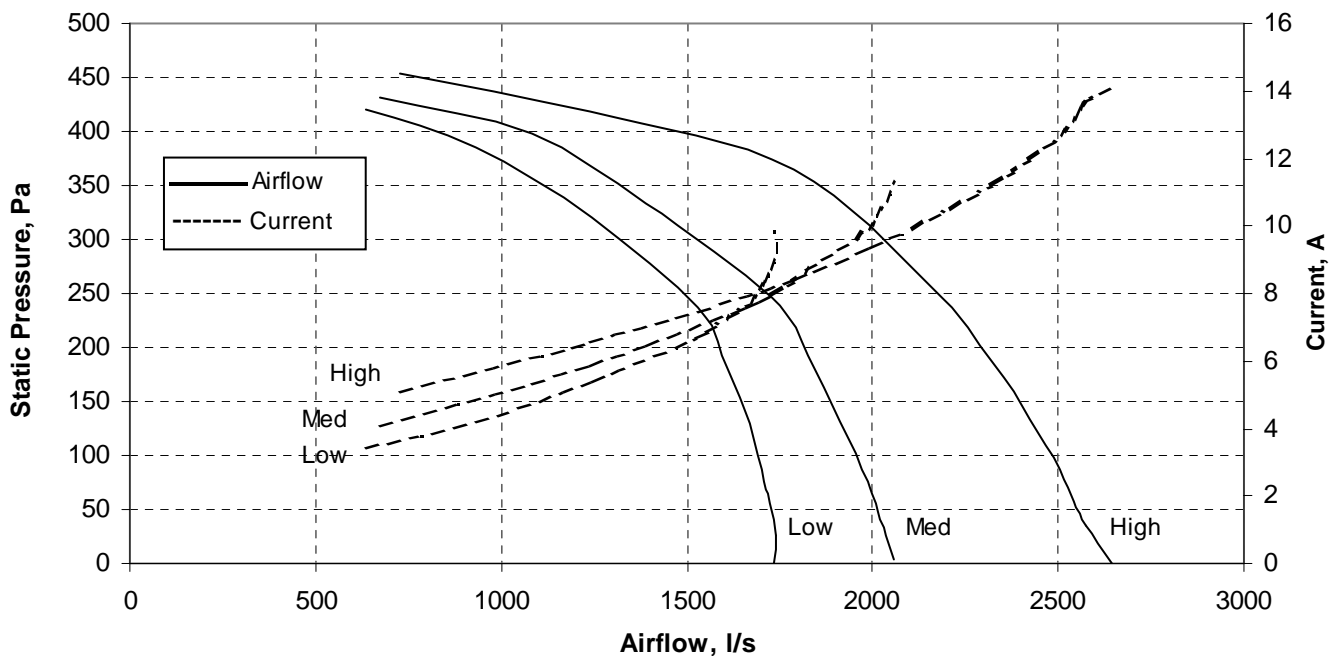
10x10 fan deck with 1500W motor



Part Number	A	B	C	D	E	F	G	H	J	K	Nutsert
FD 10x10-1500-01	421	438	457	326	1072	1150	330	274	190	66	M8

Motor					
Rated Output 1500W	Supply 240V/50Hz	Rated RPM 1400	Rated Current 8.4 amps	Capacitor 30uF/440V	Insulation Class B 130
Enclosure IP20	Thermal Protection Auto Reset Overload		Duty AOM		

Wheels
Glass Filled Nylon or Glass Filled Polypropylene with plated mild steel hub



Dimensions

Product Data

Performance