

ROOFTOP BRACKET



For value, convenience and confidence, choose Freddox. Freddox is exclusive to Beijer Ref and exclusively distributed throughout all Beijer Ref businesses.

Freddox rooftop brackets are designed and manufactured to meet the stringent requirements of the HVAC&R industry and satisfy various applications for air conditioning outdoor unit installations.

Features

- The wall brackets' frame steel sheet is reinforced by a precisely stamped profile, making for a stronger and more stable structure.
- Delicately designed key structures provide high stability under load.
- Weather-proof with selected SUS304 stainless steel (including all fixing accessories)
- Stainless steel construction is suited to applications in harsh coastal environments.
- Pre-assembled for easy installation with mounting accessories included.
- Adjustable design accommodates a variety of installation dimensions and applications.

TECHNICAL DATA

ITEM NUMBER	PRODUCT DESCRIPTION
L500RBK	Freddox AC Roof Bracket Freddox 150kg

Install Tips

- Ensure the bracket is securely fixed to a solid base to hold the load. Note: Wall strength varies.
- Care must be taken to use appropriate lifting methods when using these brackets, excessive force should be avoided.
- The brackets have a preset angle to accommodate typical split systems.
- The rear adjustment screws should be used to level the bracket, the amount of leveling required is dependant on the weight of the unit and the application.

Application

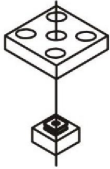
- Suitable for 9,000 to 24,000 BTU capacity outdoor units

Load Capacity

150 kg

Installation Accessories

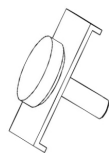
Pre-assembled
Vibration Damper



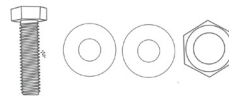
Fixing Bolt Sets



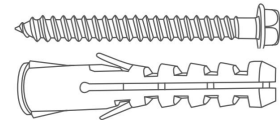
Tightening Plate



Bolt & Nut sets

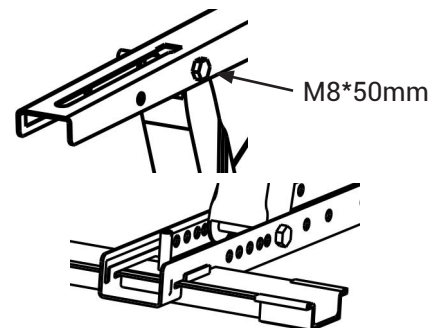
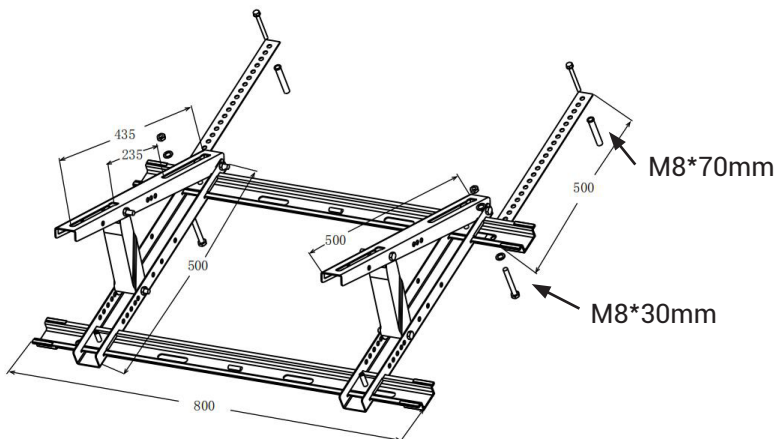


Expansion Bolt Sets



Fix air conditioner foot

Installation: Ensure the bracket is fixed securely to the SOLID BASE of the roof.

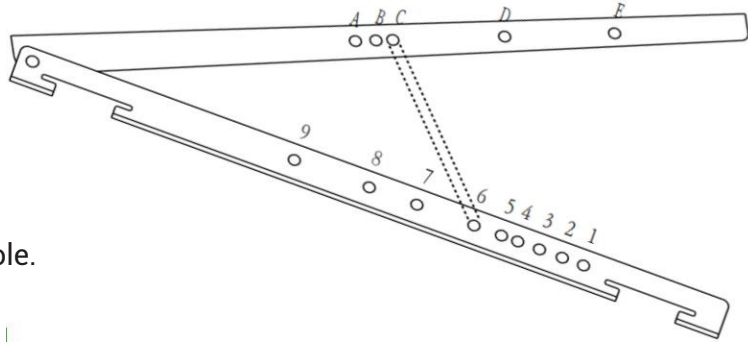


After adjusting the bracket arms' position, screw the 4 bolts of the tightening plate before placing the outdoor unit.

FREDDOXROOFTOPBRACKET_1223

TECHNICAL DATA

Reference angle setting for support bar.



Hole C,B,A are the most commonly used hole.

Hole D,E are specially made for flat roof.

HOLE NO.	1	2	3	4	5	6	7	8	9	SUPPORT BAR
A	X	X	17	21.5	24.5	28.5	35.5	40	45	Standard 168mm
B	X	X	20	24	26	29.5	35	39	42	
C	14	18	22	25	27	30	35	38	X	
D	5	8	X	11	11	12.5	X	X	X	Optional 79mm
E	10	X	9	7.5	7.5	X	X	X	X	

Note: the Optional Support Bar is specially designed for angle setting 5-12.5 degree (available on request)