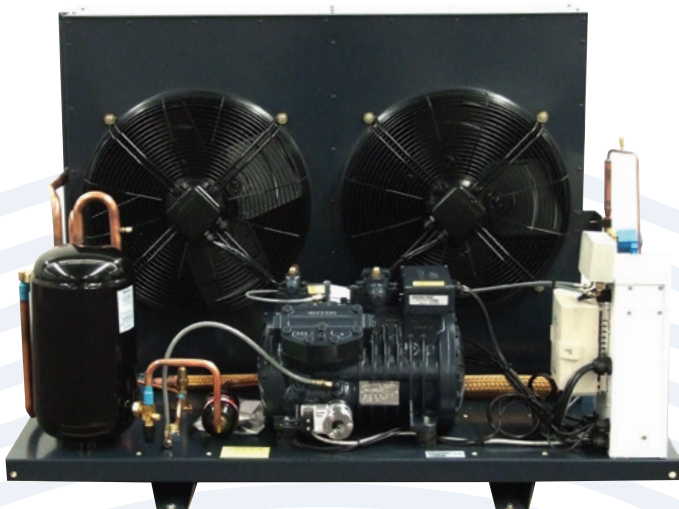




KIRBY® COMMANDER Condensing Units

Quieter, more powerful
and with greater
endurance

NEW
Now including
factory-fitted
full wiring!



Exclusively distributed by

KIRBY
A BEIJER REF Company

KIRBY COMMANDER

Condensing Units

Introduction

Built smart, compact and tough, the Kirby® Commander range offers leading performance and efficiency without making a lot of noise. External rotor fan motors and Dorin H series compressors set the standard for smooth quiet operation across a wide application range.

Ultimate reliability comes standard when you combine Kirby® and Dorin – trusted to handle the extremes of our climate.

Features & Benefits

The Kirby® Commander condensing unit range offers:

- Dorin semi-hermetic compressors with wide operational envelope at high ambient conditions
- Optimised condenser coil design incorporating inner grooved tube for enhanced heat transfer
- Premium quality external rotor fan motors for long life and increased efficiency
- Full wiring from factory for easy commissioning.
- Easy to clean powder coated sheet metal base and condenser casing
- Suction and liquid line connection points easily located together, providing an aesthetically pleasing appearance
- Liquid line drier and sight glass
- Separate electrical box
- Dual pressure control
- High efficiency oil separator with internal float
- Fan speed control
- Two-year limited warranty

Kirby® Commander condensing units can be configured with the following options:

- Danfoss VSD
- TraxOil Oil Watch Oil management system
- TraxOil Oil level control
- EC fans
- Capacity control
- Part winding start (10hp+)
- Head cooling fan
- Suction accumulator
- Demountable liquid line drier

Kirby® Commander Condensing Units – Nomenclature

PC	S	228	MH	A1	2
Unit Type PC Indoor Unit		Nominal Capacity 228 R404A	Power Supply & Release Number Even Three Phase Supply Odd Single Phase Supply		
Compressor Type S Semi-Hermetic Reciprocating		Condenser Type & Variation A Air Cooled			
		Usage Application L Low Temperature M Medium Temperature H High Temperature			

COMMANDER CONDENSING UNITS

R404A Performance Data

PRODUCT NUMBER	DISPLACEMENT (m ³ /hr)	AMBIENT TEMP. (°C)	CAPACITY WATTS @ SST (°C)												RECEIVER CAPACITY (kg)
			LT						MT			HT			
			-45	-40	-35	-30	-25	-20	-15	-10	-5	0	5	10	
DORIN SEMI-HERMETIC RECIPROCATING COMPRESSORS – CC															
PCS022LMHA1-4	4.40	35	-	-	685	885	1,110	1,360	1,640	1,945	2,275	2,615	2,955	-	3.6
		43	-	-	545	720	920	1,140	1,390	1,655	1,935	2,220	2,475	-	
PCS031LMHA1-4	5.40	35	-	-	865	1,140	1,455	1,815	2,220	2,675	3,165	3,690	4,235	-	3.6
		43	-	-	-	935	1,210	1,525	1,885	2,280	2,710	3,160	3,615	-	
PCS039LMHA1-4	7.50	35	-	-	1,075	1,400	1,770	2,190	2,665	3,185	3,750	4,345	4,955	-	3.6
		43	-	-	-	1,150	1,470	1,840	2,255	2,715	3,205	3,710	-	-	
PCS044LMHA1-4	9.20	35	-	-	1,220	1,585	2,010	2,505	3,065	3,695	4,395	5,165	5,990	-	3.6
		43	-	-	-	1,290	1,665	2,095	2,590	3,145	3,760	4,435	5,145	-	
PCS057LMHA1-4	9.90	35	-	-	1,565	2,045	2,585	3,200	3,890	4,660	5,490	6,375	7,280	-	3.6
		43	-	-	1,250	1,670	2,145	2,680	3,285	3,960	4,680	5,435	-	-	
PCS071LMHA1-4	11.60	35	-	-	1,875	2,470	3,145	3,920	4,800	5,780	6,855	8,005	9,205	-	6.6
		43	-	-	-	2,030	2,630	3,310	4,085	4,950	5,890	6,885	7,895	-	
PCS084LMHA1-2	14.70	35	-	-	2,420	3,155	4,010	4,990	6,100	7,340	8,700	10,170	11,710	-	6.6
		43	-	-	-	2,625	3,365	4,220	5,190	6,275	7,460	8,725	10,020	-	
PCS101LMHA1-2	17.50	35	-	-	3,090	3,935	4,900	6,005	7,255	8,635	10,130	11,720	13,350	-	6.6
		43	-	-	2,585	3,325	4,175	5,140	6,230	7,435	8,735	10,085	-	-	
PCS126LMHA1-4	19.30	35	-	-	3,055	4,025	5,185	6,555	8,135	9,940	11,960	14,180	16,560	-	11.6
		43	-	-	-	3,365	4,365	5,555	6,945	8,540	10,310	12,215	14,185	-	
PCS146LMHA1-6	23.13	35	-	-	3,610	4,745	6,090	7,670	9,490	11,545	13,805	16,235	18,785	-	8.9
		43	-	-	2,990	3,980	5,160	6,550	8,155	9,950	11,925	14,025	16,205	-	
PCS149LMHA1-10	23.13	35	-	-	3,635	4,795	6,175	7,800	9,675	11,795	14,130	16,640	19,265	-	8.9
		43	-	-	-	3,980	5,195	6,630	8,285	10,145	12,185	14,360	16,600	-	
PCS174LMHA1-10	27.33	35	-	-	4,310	5,665	7,270	9,150	11,305	13,725	16,375	19,200	22,135	-	8.9
		43	-	-	-	4,755	6,160	7,815	9,715	11,840	14,155	16,595	19,085	-	
PCS175LMHA1-10	27.33	35	-	-	4,370	5,745	7,375	9,280	11,470	13,920	16,595	19,445	22,395	-	8.9
		43	-	-	-	4,805	6,230	7,905	9,830	11,980	14,310	16,770	19,265	-	
PCS200LMHA1-8	31.88	35	-	-	4,950	6,505	8,350	10,520	13,030	15,865	18,995	22,365	25,895	-	11.9
		43	-	-	-	5,470	7,075	8,975	11,185	13,695	16,445	19,355	22,350	-	
PCS205LMHA1-10	31.88	35	-	-	5,170	6,780	8,690	10,925	13,490	16,375	19,540	22,935	26,490	-	11.9
		43	-	-	-	5,700	7,360	9,315	11,560	14,080	16,835	19,765	22,785	-	
PCS284LMHA1-8	42.81	35	-	-	7,370	9,595	12,170	15,145	18,540	22,355	26,545	31,045	35,765	-	20.0
		43	-	-	-	8,080	10,350	12,975	15,970	19,330	23,000	26,905	30,940	-	
PCS361LMHA2-8	56.87	35	-	-	10,000	12,835	16,090	19,825	24,065	28,770	33,840	39,150	44,530	-	20.0
		40	-	-	8,940	11,575	14,590	18,050	21,970	26,310	30,975	35,825	40,650	-	
DORIN SEMI-HERMETIC RECIPROCATING COMPRESSORS – CS															
PCS194LMA1-8	31.88	35	-	3,670	5,010	6,565	8,350	10,380	12,645	15,110	17,745	-	-	-	8.9
		43	-	-	4,190	5,545	7,105	8,890	10,885	13,050	15,325	-	-	-	
PCS193LMA1-10	31.88	35	-	3,860	5,190	6,760	8,590	10,690	13,050	15,635	18,410	-	-	-	8.9
		43	-	-	4,350	5,740	7,365	9,225	11,310	13,580	15,995	-	-	-	
PCS228LMA1-8	38.06	35	-	4,370	5,960	7,795	9,900	12,275	14,915	17,785	20,835	-	-	-	11.9
		43	-	3,560	4,965	6,590	8,445	10,535	12,840	15,335	17,960	-	-	-	
PCS318LMA1-8	48.82	35	-	6,410	8,570	11,060	13,920	17,170	20,800	24,770	29,030	-	-	-	20.0
		43	-	-	7,065	9,285	11,830	14,715	17,910	21,385	25,070	-	-	-	
PCS360LMA1-8	56.87	35	-	7,400	9,915	12,785	16,060	19,765	23,890	28,380	33,165	-	-	-	20.0
		43	-	-	8,235	10,790	13,700	16,985	20,620	24,555	28,695	-	-	-	
PCS360LMA1-8	61.92	35	-	8,305	11,055	14,195	17,790	21,880	26,440	31,400	36,650	-	-	-	20.0
		40	-	7,310	9,870	12,785	16,125	19,915	24,130	28,700	33,500	-	-	-	

COMMANDER CONDENSING UNITS

R134a Performance Data

PRODUCT NUMBER	DISPLACEMENT (m ³ /hr)	AMBIENT TEMP (°C)	CAPACITY WATTS @ SST (°C)												RECEIVER CAPACITY (kg)
			LT						MT			HT			
			-45	-40	-35	-30	-25	-20	-15	-10	-5	0	5	10	
DORIN SEMI-HERMETIC RECIPROCATING COMPRESSORS – CC															
PCS022LMHA1-4	4.40	35	-	-	-	-	490	680	910	1,170	1,470	1,800	2,170	2,570	4.3
		43	-	-	-	-	-	570	770	1,010	1,280	1,590	1,920	-	
PCS031LMHA1-4	5.40	35	-	-	-	-	-	870	1,160	1,500	1,890	2,330	2,830	3,370	4.3
		43	-	-	-	-	-	730	990	1,300	1,650	2,050	2,500	2,990	
PCS039LMHA1-4	7.50	35	-	-	-	-	-	1,100	1,460	1,880	2,350	2,890	3,490	4,150	4.3
		43	-	-	-	-	-	930	1,250	1,630	2,070	2,560	3,100	3,700	
PCS044LMHA1-4	9.20	35	-	-	-	-	-	1,280	1,700	2,200	2,770	3,430	4,170	4,990	4.3
		43	-	-	-	-	-	-	1,460	1,910	2,430	3,030	3,710	4,460	
PCS057LMHA1-4	9.90	35	-	-	-	-	1,310	1,780	2,320	2,950	3,660	4,480	5,380	6,370	4.3
		43	-	-	-	-	-	1,540	2,030	2,610	3,260	4,000	4,830	5,750	
PCS071LMHA1-4	11.60	35	-	-	-	-	-	2,190	2,830	3,570	4,430	5,410	6,510	7,710	7.9
		43	-	-	-	-	-	1,910	2,500	3,180	3,970	4,870	5,870	6,980	
PCS084LMHA1-2	14.70	35	-	-	-	-	-	2,770	3,570	4,510	5,600	6,840	8,240	9,800	7.9
		43	-	-	-	-	-	2,390	3,130	3,990	4,990	6,130	7,420	8,860	
PCS101LMHA1-2	17.50	35	-	-	-	-	2,410	3,230	4,170	5,260	6,510	7,940	9,550	11,320	13.8
		43	-	-	-	-	-	2,790	3,650	4,660	5,810	7,120	8,600	10,220	
PCS126LMHA1-4	19.30	35	-	-	-	-	2,630	3,575	4,670	5,955	7,460	9,200	11,180	13,395	13.8
		43	-	-	-	-	2,240	3,110	4,125	5,310	6,700	8,305	10,135	12,190	
PCS146LMHA1-6	23.13	35	-	-	-	-	-	4,360	5,650	7,150	8,890	10,870	13,090	15,560	10.4
		46	-	-	-	-	-	3,590	4,740	6,070	7,610	9,370	11,340	-	
PCS149LMHA1-10	23.13	35	-	-	-	-	3,190	4,315	5,625	7,160	8,940	10,980	13,280	15,835	10.4
		46	-	-	-	-	2,535	3,525	4,685	6,045	7,630	9,440	11,485	13,765	
PCS174LMHA1-10	27.33	35	-	-	-	-	3,770	5,040	6,510	8,230	10,220	12,500	15,050	17,890	10.4
		46	-	-	-	-	3,050	4,180	5,490	7,010	8,780	10,800	13,070	-	
PCS175LMHA1-10	27.33	35	-	-	-	-	3,690	4,975	6,490	8,270	10,350	12,745	15,465	18,500	10.4
		46	-	-	-	-	2,970	4,085	5,415	6,990	8,845	10,985	13,415	-	
PCS200LMHA1-8	31.88	35	-	-	-	-	4,610	6,120	7,860	9,870	12,170	14,800	17,770	21,040	13.8
		46	-	-	-	-	-	5,040	6,610	8,410	10,480	12,820	15,450	18,370	
PCS205LMHA1-10	31.88	35	-	-	-	-	4,500	6,040	7,830	9,925	12,365	15,165	18,345	21,890	13.8
		46	-	-	-	-	3,580	4,935	6,530	8,405	10,590	13,105	15,945	19,120	
PCS284LMHA1-8	42.81	35	-	-	-	-	-	7,640	10,010	12,770	15,980	19,670	23,830	28,460	23.3
		46	-	-	-	-	-	-	8,330	10,780	13,630	16,900	20,580	24,660	
PCS361LMHA2-8	56.87	35	-	-	-	-	7,350	9,960	13,000	16,530	20,610	25,230	30,420	36,120	23.3
		46	-	-	-	-	-	8,120	10,810	13,940	17,550	21,660	26,250	-	
DORIN SEMI-HERMETIC RECIPROCATING COMPRESSORS – CS															
PCS194LMA1-8	31.88	35	-	-	-	-	4,590	6,040	7,730	9,700	11,960	14,510	17,350	20,460	10.4
		46	-	-	-	-	-	5,010	6,540	8,320	10,360	12,670	-	-	
PCS193LMA1-10	31.88	35	-	-	-	-	4,520	6,015	7,765	9,810	12,175	14,845	17,825	21,115	10.4
		46	-	-	-	-	3,635	4,960	6,530	8,365	10,480	12,880	-	-	
PCS228LMA1-8	38.06	35	-	-	-	-	5,210	6,910	8,900	11,210	13,850	16,840	20,160	23,800	13.8
		46	-	-	-	-	4,170	5,660	7,430	9,470	11,810	14,460	-	-	
PCS318LMA1-8	48.82	35	-	-	-	-	6,870	9,180	11,860	14,970	18,520	22,510	26,940	31,790	23.3
		46	-	-	-	-	-	7,500	9,900	12,700	15,880	19,450	-	-	
PCS360LMA1-8	56.87	35	-	-	-	-	8,020	10,620	13,640	17,120	21,100	25,580	30,540	35,950	23.3
		46	-	-	-	-	6,390	8,720	11,430	14,550	18,110	22,110	-	-	
PCS391LMA2-8	63.76	35	-	-	-	-	8,850	11,720	15,060	18,930	23,350	28,330	33,860	39,870	23.3
		46	-	-	-	-	7,030	9,600	12,610	16,090	20,050	24,510	-	-	

COMMANDER CONDENSING UNITS

R448A Performance Data

PRODUCT NUMBER	DISPLACEMENT (m ³ /hr)	AMBIENT TEMP (°C)	CAPACITY WATTS @ SST (°C)											RECEIVER CAPACITY (kg)	
			LT					MT			HT				
			-45	-40	-35	-30	-25	-20	-15	-10	-5	0	5		10
DORIN SEMI-HERMETIC RECIPROCATING COMPRESSORS – CC															
PCS022LMHA1-4	4.40	35	–	–	570	755	970	1,220	1,500	1,820	2,170	2,555	2,955	–	3.3
		43	–	–	465	630	820	1,045	1,300	1,585	1,905	2,235	2,570	–	
PCS031LMHA1-4	5.40	35	–	–	725	975	1,275	1,625	2,030	2,495	3,020	3,605	4,235	–	3.3
		43	–	–	590	815	1,080	1,395	1,765	2,185	2,665	3,190	3,750	–	
PCS039LMHA1-4	7.50	35	–	–	895	1,195	1,550	1,960	2,435	2,975	3,580	4,240	4,955	–	3.3
		43	–	–	735	1,000	1,315	1,680	2,110	2,600	3,145	3,740	4,375	–	
PCS044LMHA1-4	9.20	35	–	–	1,020	1,355	1,760	2,240	2,800	3,450	4,195	5,040	5,995	–	3.3
		43	–	–	825	1,125	1,485	1,915	2,425	3,015	3,695	4,470	5,335	–	
PCS057LMHA1-4	9.90	35	–	–	1,305	1,745	2,265	2,865	3,560	4,350	5,240	6,220	7,285	–	3.3
		43	–	–	1,065	1,455	1,915	2,450	3,075	3,795	4,600	5,480	6,415	–	
PCS071LMHA1-4	11.60	35	–	–	1,565	2,110	2,755	3,510	4,390	5,395	6,540	7,810	9,210	–	6.2
		43	–	–	1,280	1,770	2,345	3,025	3,825	4,745	5,785	6,940	8,195	–	
PCS084LMHA1-2	14.70	35	–	–	2,015	2,700	3,510	4,465	5,575	6,855	8,305	9,925	11,715	–	6.2
		43	–	–	1,685	2,290	3,005	3,855	4,855	6,015	7,330	8,795	10,400	–	
PCS101LMHA1-2	17.50	35	–	–	2,575	3,365	4,290	5,375	6,630	8,060	9,665	11,435	13,355	–	6.2
		43	–	–	2,205	2,900	3,725	4,695	5,830	7,125	8,580	10,165	11,860	–	
PCS126LMHA1-4	19.30	35	–	–	2,550	3,440	4,540	5,865	7,440	9,280	11,410	13,840	16,570	–	11.0
		43	–	–	2,150	2,930	3,895	5,075	6,500	8,185	10,125	12,315	14,720	–	
PCS146LMHA1-6	23.13	35	–	–	–	4,010	5,275	6,805	8,625	10,735	13,135	15,820	18,765	–	8.3
		43	–	–	–	–	4,540	5,915	7,570	9,495	11,680	14,095	16,730	–	
PCS149LMHA1-10	23.13	35	–	–	–	4,205	5,495	7,030	8,835	10,915	13,275	15,895	18,770	–	8.3
		43	–	–	–	–	4,785	6,175	7,825	9,730	11,885	14,280	16,885	–	
PCS174LMHA1-10	27.33	35	–	–	–	4,785	6,300	8,125	10,290	12,800	15,650	18,830	22,300	–	8.3
		43	–	–	–	–	5,420	7,050	9,005	11,280	13,875	16,765	19,910	–	
PCS175LMHA1-10	27.33	35	–	–	–	5,005	6,545	8,380	10,540	13,020	15,825	18,935	22,325	–	8.3
		43	–	–	–	–	5,715	7,385	9,360	11,635	14,210	17,055	20,140	–	
PCS200LMHA1-8	31.88	35	–	–	–	5,490	7,230	9,330	11,825	14,725	18,040	21,750	25,835	–	11.0
		43	–	–	–	–	6,215	8,090	10,340	12,970	15,985	19,355	23,050	–	
PCS205LMHA1-10	31.88	35	–	–	–	5,845	7,645	9,795	12,325	15,240	18,545	22,225	26,260	–	11.0
		43	–	–	–	–	6,680	8,630	10,945	13,620	16,650	20,015	23,685	–	
PCS284LMHA1-8	42.81	35	–	–	–	8,105	10,560	13,480	16,895	20,830	25,290	30,260	35,710	–	18.7
		43	–	–	–	–	9,100	11,730	14,825	18,410	22,475	26,995	31,935	–	
PCS361LMHA2-8	56.87	35	–	–	–	9,340	12,090	15,340	19,125	23,455	28,335	33,735	39,620	–	18.7
		40	–	–	–	–	8,460	11,025	14,060	17,610	21,690	26,280	31,370	36,910	

COMMANDER CONDENSING UNITS

R407F Performance Data

PRODUCT NUMBER	DISPLACEMENT (m ³ /hr)	AMBIENT TEMP (°C)	CAPACITY WATTS @ SST (°C)												RECEIVER CAPACITY (kg)
			LT						MT			HT			
			-45	-40	-35	-30	-25	-20	-15	-10	-5	0	5	10	
DORIN SEMI-HERMETIC RECIPROCATING COMPRESSORS – CC															
PCS022LMHA1-4	4.40	35	-	-	605	790	1,020	1,285	1,590	1,935	2,325	2,750	3,195	-	3.9
		43	-	-	-	680	865	1,100	1,375	1,690	2,040	2,415	-	-	
PCS031LMHA1-4	5.40	35	-	-	770	1,025	1,340	1,710	2,150	2,655	3,235	3,880	4,575	-	3.9
		43	-	-	-	880	1,140	1,470	1,870	2,330	2,860	3,445	-	-	
PCS039LMHA1-4	7.50	35	-	-	955	1,255	1,630	2,065	2,575	3,165	3,830	4,565	5,355	-	3.9
		43	-	-	-	1,080	1,385	1,775	2,235	2,770	3,375	4,040	-	-	
PCS044LMHA1-4	9.20	35	-	-	1,085	1,425	1,850	2,360	2,965	3,670	4,490	5,430	6,475	-	3.9
		43	-	-	-	1,220	1,565	2,020	2,565	3,210	3,965	4,825	-	-	
PCS057LMHA1-4	9.90	35	-	-	1,390	1,830	2,380	3,020	3,765	4,630	5,610	6,700	7,870	-	3.9
		43	-	-	-	1,575	2,015	2,585	3,260	4,045	4,935	5,920	-	-	
PCS071LMHA1-4	11.60	35	-	-	1,665	2,215	2,895	3,700	4,645	5,745	7,000	8,410	9,950	-	7.2
		43	-	-	-	1,915	2,470	3,195	4,050	5,060	6,210	7,500	-	-	
PCS084LMHA1-2	14.70	35	-	-	2,150	2,830	3,690	4,705	5,900	7,290	8,890	10,685	12,660	-	7.2
		43	-	-	-	2,475	3,165	4,070	5,145	6,410	7,865	9,550	-	-	
PCS101LMHA1-2	17.50	35	-	-	2,745	3,530	4,510	5,665	7,020	8,580	10,350	12,310	14,430	-	7.2
		43	-	-	-	3,135	3,925	4,955	6,175	7,595	9,210	10,985	-	-	
PCS126LMHA1-4	19.30	35	-	-	2,715	3,610	4,775	6,180	7,875	9,875	12,215	14,895	17,905	-	12.8
		43	-	-	-	3,170	4,105	5,355	6,885	8,725	10,870	13,305	-	-	
PCS146LMHA1-6	23.13	35	-	-	-	4,415	5,775	7,410	9,370	11,670	14,310	17,270	20,510	-	9.8
		43	-	-	-	-	5,020	6,485	8,255	10,345	12,760	15,465	18,415	-	
PCS149LMHA1-10	23.13	35	-	-	3,265	4,415	5,775	7,415	9,370	11,670	14,310	17,270	20,510	-	9.8
		43	-	-	2,775	-	5,020	6,485	8,255	10,350	12,760	15,470	18,415	-	
PCS174LMHA1-10	27.33	35	-	-	-	5,275	6,895	8,850	11,185	13,920	17,060	20,565	24,375	-	13.0
		43	-	-	-	-	5,995	7,750	9,870	12,360	15,230	18,424	21,895	-	
PCS175LMHA1-10	27.33	35	-	-	3,895	5,275	6,900	8,850	11,185	13,920	17,060	20,565	24,375	-	13.0
		43	-	-	3,310	4,540	5,995	7,750	9,865	12,360	15,230	18,425	21,895	-	
PCS200LMHA1-8	31.88	35	-	-	4,465	6,050	7,915	10,165	12,850	16,020	19,660	23,750	28,225	-	13.0
		43	-	-	3,795	5,220	6,885	8,895	11,325	14,205	17,535	21,275	25,345	-	
PCS205LMHA1-10	31.88	35	-	-	4,465	6,050	7,915	10,165	12,850	16,020	19,660	23,750	28,225	-	13.0
		43	-	-	3,795	5,220	6,885	8,895	11,325	14,205	17,535	21,275	25,345	-	
PCS284LMHA1-8	42.81	35	-	-	-	7,925	10,545	13,675	17,360	21,625	26,480	31,910	37,860	-	22.0
		43	-	-	-	-	9,010	11,820	15,160	19,060	23,520	28,490	33,895	-	
PCS361LMHA2-8	56.87	35	-	-	-	10,585	13,995	18,030	22,745	28,170	34,305	41,110	48,485	-	22.0
		40	-	-	-	9,515	12,705	16,510	20,985	26,155	31,990	38,430	45,355	-	
DORIN SEMI-HERMETIC RECIPROCATING COMPRESSORS – CS															
PCS194LMA1-8	31.88	35	-	-	4,390	5,980	7,845	10,030	12,545	15,400	18,560	-	-	-	9.8
		43	-	-	-	5,070	6,760	8,735	11,020	13,610	16,500	-	-	-	
PCS193LMA1-10	31.88	35	-	-	-	5,975	7,850	10,030	12,545	15,385	18,545	-	-	-	9.8
		43	-	-	-	5,085	6,760	8,730	11,020	13,625	16,510	-	-	-	
PCS228LMA1-8	38.06	35	-	-	5,000	6,830	9,000	11,570	14,575	18,015	21,870	-	-	-	13.0
		43	-	-	-	5,835	7,830	10,205	12,995	16,200	19,780	-	-	-	
PCS318LMA1-8	48.82	35	-	-	6,705	9,160	12,075	15,520	19,535	24,125	29,285	-	-	-	13.0
		43	-	-	-	7,660	10,275	13,390	17,055	21,275	26,005	-	-	-	
PCS360LMA1-8	56.87	35	-	-	7,745	10,585	13,960	17,920	22,510	27,740	33,595	-	-	-	22.0
		43	-	-	-	8,895	11,935	15,545	19,750	24,565	29,935	-	-	-	
PCS391LMA2-8	61.92	35	-	-	8,645	11,800	15,545	19,945	25,035	30,815	37,270	-	-	-	22.0
		40	-	-	7,645	10,600	14,120	18,270	23,095	28,585	34,705	-	-	-	

COMMANDER CONDENSING UNITS

R450A Performance Data

PRODUCT NUMBER	DISPLACEMENT (m ³ /hr)	AMBIENT TEMP (°C)	CAPACITY WATTS @ SST (°C)												RECEIVER CAPACITY (kg)
			LT					MT			HT				
			-45	-40	-35	-30	-25	-20	-15	-10	-5	0	5	10	
DORIN SEMI-HERMETIC RECIPROCATING COMPRESSORS – CC															
PCS022LMHA1-4	4.40	35	-	-	-	-	430	600	800	1,025	1,285	1,575	2,040	2,420	3.1
		43	-	-	-	-	-	505	680	885	1,120	1,390	1,680	-	
PCS031LMHA1-4	5.40	35	-	-	-	-	-	770	1,020	1,315	1,655	2,035	2,480	2,965	3.1
		43	-	-	-	-	-	645	870	1,140	1,445	1,795	2,190	2,630	
PCS039LMHA1-4	7.50	35	-	-	-	-	-	970	1,285	1,650	2,055	2,525	3,060	3,650	3.1
		43	-	-	-	-	-	820	1,100	1,430	1,810	2,240	2,715	-	
PCS044LMHA1-4	9.20	35	-	-	-	-	-	1,130	1,495	1,930	2,425	3,000	3,655	4,390	3.1
		43	-	-	-	-	-	-	1,285	1,675	2,125	2,650	3,250	3,925	
PCS057LMHA1-4	9.90	35	-	-	-	-	1,155	1,570	2,040	2,585	3,200	3,920	4,715	5,605	3.1
		43	-	-	-	-	-	-	1,785	2,290	2,850	3,500	4,230	-	
PCS071LMHA1-4	11.60	35	-	-	-	-	-	1,935	2,490	3,130	3,875	4,730	5,705	6,785	5.7
		43	-	-	-	-	-	1,685	2,200	2,790	3,475	4,260	5,145	6,145	
PCS084LMHA1-2	14.70	35	-	-	-	-	-	2,445	3,140	3,955	4,900	5,980	7,220	8,625	5.7
		43	-	-	-	-	-	2,110	2,755	3,500	4,365	5,360	6,500	7,800	
PCS101LMHA1-2	17.50	35	-	-	-	-	2,125	2,850	3,670	4,610	5,695	6,945	8,370	9,965	5.7
		43	-	-	-	-	-	2,465	3,210	4,085	5,080	6,225	7,535	-	
PCS126LMHA1-4	19.30	35	-	-	-	-	2,320	3,155	4,110	5,220	6,525	8,045	9,795	11,790	10.1
		43	-	-	-	-	-	1,975	2,745	3,630	4,655	5,860	7,265	8,885	
DORIN SEMI-HERMETIC RECIPROCATING COMPRESSORS – CS															
PCS194LMA1-8	31.88	35	-	-	-	-	4,070	5,375	6,870	8,590	10,570	12,840	15,415	18,305	9.8
		43	-	-	-	-	3,245	4,405	5,735	7,275	9,055	11,100	13,420	16,025	
PCS193LMA1-10	31.88	35	-	-	-	-	4,075	5,370	6,875	8,615	10,610	12,880	15,430	18,270	9.8
		43	-	-	-	-	3,240	4,400	5,740	7,300	9,090	11,130	13,425	15,980	
PCS228LMA1-8	38.06	35	-	-	-	-	4,635	6,155	7,905	9,935	12,275	14,950	17,970	21,370	13.0
		43	-	-	-	-	3,660	4,980	6,515	8,295	10,360	12,720	15,405	18,435	
PCS318LMA1-8	48.82	35	-	-	-	-	6,110	8,170	10,530	13,250	16,375	19,935	23,945	28,430	13.0
		43	-	-	-	-	4,745	6,585	8,690	11,110	13,890	17,055	20,630	24,625	
PCS360LMA1-8	56.87	35	-	-	-	-	7,130	9,460	12,120	15,170	18,670	22,635	27,095	32,065	22.0
		43	-	-	-	-	5,580	7,680	10,060	12,775	15,870	19,380	23,335	27,775	
PCS391LMA2-8	61.92	35	-	-	-	-	7,860	10,460	13,420	16,815	20,695	25,090	30,015	35,495	22.0
		40	-	-	-	-	6,130	8,480	11,130	14,145	17,580	21,470	25,845	30,715	

COMMANDER CONDENSING UNITS

R513A Performance Data

PRODUCT NUMBER	DISPLACEMENT (m ³ /hr)	AMBIENT TEMP (°C)	CAPACITY WATTS @ SST (°C)											RECEIVER CAPACITY (kg)	
			LT					MT			HT				
			-45	-40	-35	-30	-25	-20	-15	-10	-5	0	5		10
DORIN SEMI-HERMETIC RECIPROCATING COMPRESSORS – CC															
PCS022LMHA1-4	4.40	35	-	-	-	-	540	730	955	1,200	1,480	1,780	2,120	2,480	3.2
		43	-	-	-	-	-	610	805	1,035	1,290	1,575	1,875	-	
PCS031LMHA1-4	5.40	35	-	-	-	-	-	930	1,215	1,540	1,900	2,305	2,765	3,250	3.2
		43	-	-	-	-	-	780	1,035	1,335	1,660	2,030	2,440	2,885	
PCS039LMHA1-4	7.50	35	-	-	-	-	-	1,180	1,530	1,925	2,365	2,860	3,410	4,000	3.2
		43	-	-	-	-	-	995	1,310	1,670	2,080	2,535	3,025	-	
PCS044LMHA1-4	9.20	35	-	-	-	-	-	1,370	1,780	2,255	2,785	3,395	4,070	4,810	3.2
		43	-	-	-	-	-	-	1,530	1,960	2,445	3,000	3,625	4,300	
PCS057LMHA1-4	9.90	35	-	-	-	-	1440	1,905	2,430	3,025	3,680	4,435	5,255	6,145	3.2
		43	-	-	-	-	-	-	2,125	2,675	3,280	3,960	4,715	-	
PCS071LMHA1-4	11.60	35	-	-	-	-	-	2,345	2,965	3,660	4,455	5,355	6,355	7,435	6.0
		43	-	-	-	-	-	-	2,045	2,620	3,260	3,995	4,820	5,730	
PCS084LMHA1-2	14.70	35	-	-	-	-	-	2,965	3,740	4,625	5,635	6,770	8,045	9,450	6.0
		43	-	-	-	-	-	-	2,560	3,275	4,090	5,020	6,070	7,245	
PCS101LMHA1-2	17.50	35	-	-	-	-	2645	3,460	4,365	5,390	6,550	7,860	9,325	10,915	6.0
		43	-	-	-	-	-	2,990	3,820	4,775	5,845	7,050	8,400	-	
PCS126LMHA1-4	19.30	35	-	-	-	-	2885	3,830	4,890	6,105	7,505	9,105	10,915	12,920	10.6
		43	-	-	-	-	-	2,460	3,335	4,315	5,445	6,740	8,225	9,900	
DORIN SEMI-HERMETIC RECIPROCATING COMPRESSORS – CS															
PCS194LMA1-8	31.88	35					5,080	6,555	8,220	10,105	12,220	14,585	17,200	20,035	8.0
		43						4,065	5,370	6,845	8,515	10,390	12,485	14,785	
PCS193LMA1-10	31.88	35					4,985	6,495	8,215	10,160	12,355	14,805	17,510	20,440	8.0
		43						4,005	5,330	6,845	8,565	10,515	12,680	15,050	
PCS228LMA1-8	38.06	35					5,785	7,470	9,390	11,585	14,070	16,860	19,955	23,345	10.6
		43						4,600	6,050	7,715	9,640	11,825	14,280	16,975	
PCS318LMA1-8	48.82	35					7,600	9,930	12,560	15,525	18,850	22,575	26,720	31,235	17.8
		43						5,900	8,000	10,340	12,945	15,860	19,150	22,835	
PCS360LMA1-8	56.87	35					8,885	11,485	14,430	17,760	21,490	25,645	30,230	35,235	17.8
		43						7,000	9,305	11,900	14,830	18,115	21,770	25,785	
PCS391LMA2-8	61.92	35					9,805	12,665	15,915	19,600	23,740	28,360	33,450	38,990	17.8
		40						7,705	10,245	13,115	16,355	19,995	24,055	28,530	

COMMANDER CONDENSING UNITS

Technical Data

PRODUCT NUMBER	COMPRESSOR MODEL	CONDENSER FAN DATA			ELECTRICAL DATA				CONNECTIONS		SOUND DATA			
		NO. OF FANS (#)	DIA (mm)	AIR-FLOW (l/s)	MCC (A/Ph)	LRA (A/Ph)	RLA (A/Ph)	INPUT (W)	LIQUID (mm)	SUCTION (mm)	100% FAN SPEED		60% FAN SPEED	
											LWA	LPA 3M	LWA	LPA 3M
DORIN SEMI-HERMETIC RECIPROCATING COMPRESSORS (CC)														
PCS022LMHA1-4	H80CC/HTCR	1	300	280	3.50	14.35	2.80	1,300	9.52	15.88 – 15.88	68.0	48.0	58.8	38.8
PCS031LMHA1-4	H101CC/HTCR	2	300	540	5.50	21.10	3.90	1,750	12.70	15.88 – 15.88	69.0	49.0	61.2	41.2
PCS039LMHA1-4	H151CC/HTCR	2	300	560	7.10	25.60	4.30	2,000	12.70	15.88 – 15.88	70.0	50.0	61.7	41.7
PCS044LMHA1-4	H181CC/HTCR	2	350	1,300	7.20	25.66	4.80	2,310	12.70	15.88 – 15.88	77.0	57.0	68.9	48.9
PCS057LMHA1-4	H221CC/HTCR	2	350	1,300	7.20	25.66	5.90	2,930	12.70	19.05 – 15.88	77.0	57.0	68.9	48.9
PCS071LMHA1-4	H281CC/HTCR	2	350	1,340	10.60	44.66	7.40	3,600	12.70	19.05 – 15.88	77.0	57.0	69.9	49.9
PCS084LMHA1-2	H300CC/HTCR	2	350	1,370	10.60	44.76	8.40	4,100	12.70	22.22 – 19.05	76.0	56.0	69.1	49.1
PCS101LMHA1-2	H380CC/HTCR	2	350	1,230	10.60	44.76	9.80	5,160	12.70	28.57 – 19.05	76.0	56.0	69.4	49.4
PCS126LMHA1-4	H405CC	2	500	3,180	20.10	68.70	14.60	6,420	15.88	22.22 – 28.57	82.8	62.8	76.3	56.3
PCS146LMHA1-6	H551CC	2	450	1,940	17.60	66.20	12.70	6,260	15.88	28.57	80.5	60.5	74.0	54.0
PCS149LMHA1-10	H505CC	2	450	1,940	17.60	66.10	13.50	6,790	15.88	28.57	80.5	60.5	74.0	54.0
PCS174LMHA1-10	H701CC	2	450	2,190	22.60	89.10	15.40	7,340	15.88	34.92	81.0	61.0	75.5	55.5
PCS175LMHA1-10	H705CC	2	450	2,190	22.60	89.10	15.90	7,780	15.88	34.92	81.0	61.0	75.0	55.0
PCS200LMHA1-8	H751CC	2	500	3,120	25.10	91.60	19.10	8,870	15.88	34.92	83.5	63.5	77.0	57.0
PCS205LMHA1-10	H755CC	2	500	3,120	25.10	91.60	19.80	9,380	15.88	34.92	83.0	63.0	75.5	55.5
PCS284LMHA1-8	H1201CC	2	500	3,245	33.60	140.30	24.30	11,950	22.22	34.92	83.5	63.5	77.5	57.5
PCS361LMHA2-8	H2001CC	2	500	3,245	43.60	182.60	32.20	16,010	22.22	34.92	84.5	64.5	80.0	60.0
DORIN SEMI-HERMETIC RECIPROCATING COMPRESSORS (CS)														
PCS194LMA1-8	H701CS	2	450	2,190	17.60	66.20	15.50	8,110	15.88	34.92	81.5	61.5	76.5	56.5
PCS193LMA1-10	H705CS	2	450	2,190	17.60	66.10	16.30	8,690	15.88	34.92	81.0	61.0	75.0	55.0
PCS228LMA1-8	H751CS	2	500	3,350	25.10	91.60	21.00	10,240	15.88	34.92	83.5	63.5	77.5	57.5
PCS318LMA1-8	H1001CS	2	500	3,590	29.60	114.30	26.60	13,980	22.22	34.92	84.0	64.0	79.0	59.0
PCS360LMA1-8	H1501CS	2	500	3,400	29.60	140.30	26.60	13,980	22.22	34.92	84.5	64.5	80.0	60.0
PCS391LMA2-8	H1601CS	2	500	3,245	39.60	176.10	35.70	18,140	22.22	34.92	85.0	65.0	81.5	61.5

COMMANDER CONDENSING UNITS

Physical Data

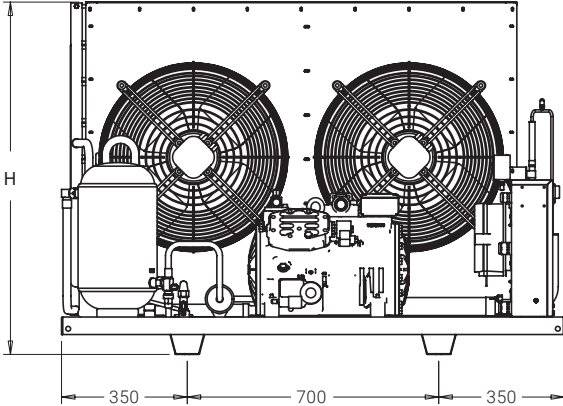
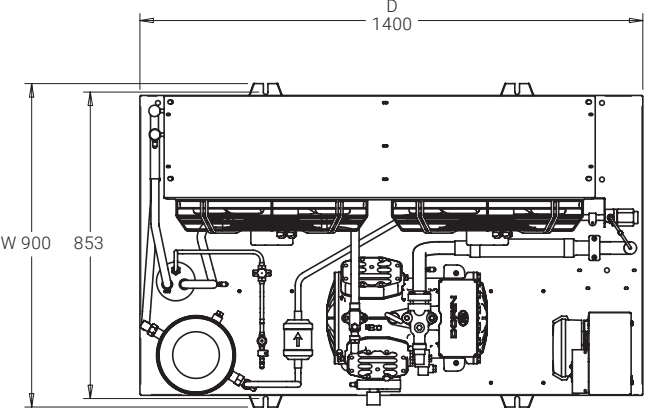
PRODUCT NUMBER	DIMENSIONS (mm)			MOUNTING CENTRES (mm)		WEIGHT (kg)	
	HEIGHT	WIDTH	DEPTH	A	B	NET	GROSS
DORIN SEMI-HERMETIC RECIPROCATING COMPRESSORS – CC							
PCS022LMHA1-4	451	903	602	820	510	55	64
PCS031LMHA1-4	496	947	784	915	700	65	77
PCS039LMHA1-4	496	947	784	915	700	68	80
PCS044LMHA1-4	496	953	784	915	700	88	103
PCS057LMHA1-4	496	953	784	915	700	94	109
PCS071LMHA1-4	556	955	784	915	700	110	125
PCS084LMHA1-2	658	973	798	915	700	112	127
PCS101LMHA1-2	658	973	798	915	700	154	169
PCS126LMHA1-4	808	1,262	921	1,210	814	197	217
PCS146LMHA1-6	845	1,400	900	700	860	195	215
PCS149LMHA1-10	845	1,400	900	700	860	195	215
PCS174LMHA1-10	882	1,400	900	700	860	205	225
PCS175LMHA1-10	882	1,400	900	700	860	205	225
PCS200LMHA1-8	981	1,400	900	700	860	235	250
PCS205LMHA1-10	981	1,400	900	700	860	235	250
PCS284LMHA1-8	1,033	1,650	900	580 / 480	860	345	380
PCS361LMHA2-8	1,033	1,650	900	580 / 480	860	370	395
DORIN SEMI-HERMETIC RECIPROCATING COMPRESSORS – CS							
PCS194LMA1-8	882	1,400	900	700	860	205	225
PCS193LMA1-10	882	1,400	900	700	860	205	225
PCS228LMA1-8	981	1,400	900	700	860	125	145
PCS318LMA1-8	1,033	1,650	900	580 / 480	860	325	345
PCS360LMA1-8	1,033	1,650	900	580 / 480	860	350	370
PCS391LMA2-8	1,033	1,650	900	580 / 480	860	370	390

COMMANDER CONDENSING UNITS

Physical Data

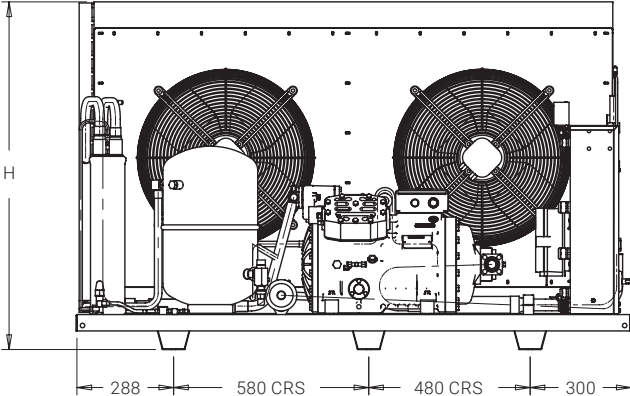
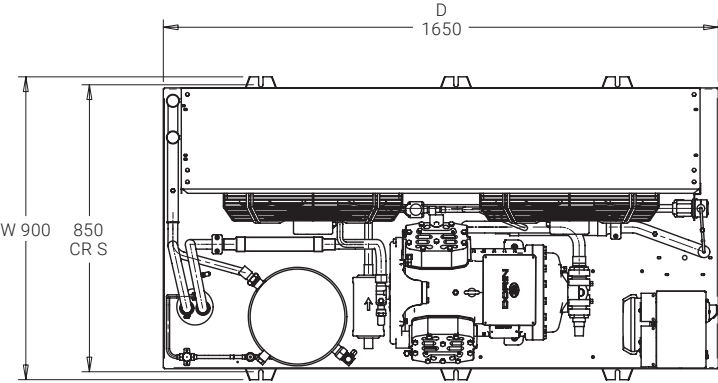
Base Type A

MIN DISTANCE TO WALLS = 600mm



Base Type B

MIN DISTANCE TO WALLS = 600mm





13 23 50
kirbyhvacr.com.au

Exclusively distributed by

KIRBY
A **BEIJER REF** Company

The contents of this brochure are copyright protected and may not be reproduced in any form without the written consent of Kirby HVAC&R Pty Ltd (T/A Kirby). Recommendations and advice regarding the use of the products described in this publication are to be taken as a guide only and are given without liability on the part of the company or its employees. As Kirby continually improves its product range and processes, Kirby reserves the right to change product specifications without any prior notification. Please refer to the kirbyhvacr.com.au website for the latest version of this publication. The purchaser should independently determine the suitability of the product for the intended use and application and that the product complies with relevant standards. Kirby accepts no responsibility for loss or damage (direct or indirect and including consequential loss, loss of profits or opportunity and economic loss) however arising which results from any errors or omissions in the information contained in this publication or arising from the use or application of the information contained herein.

Kirby HVAC&R Pty Ltd continually strives to improve products and processes. We reserve the right to modify product features without notice. Information is correct at time of printing.

© Copyright 2021 Kirby HVAC&R Pty Ltd
Information is correct at time of printing.