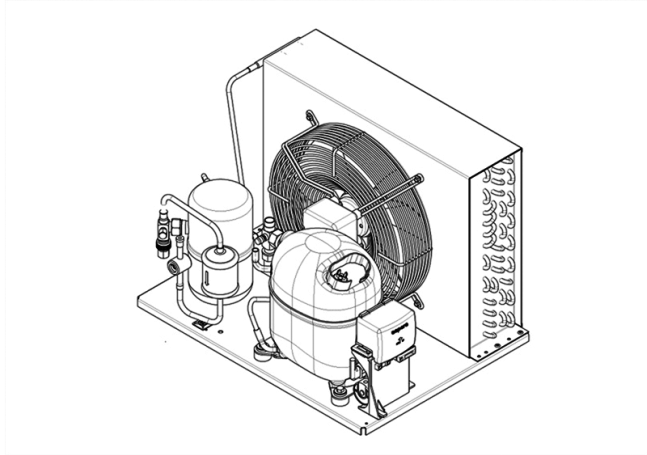


USNJ9238GK



ENGINEERING CODE
643RVL604TA

REFRIGERANT
R-404A

POWER SUPPLY
230 V 50 Hz

APPLICATION
HBP

MOTOR TYPE
CSR

STANDARD
ASHRAE

COOLING CAPACITY
5425 W

EFFICIENCY
2.36 W/W

CE

ECODSIGN COMPLIANT

DATA

GENERAL DATA

Model USNJ9238GK

ACCESSORIES

Dryer	FILTER DRYER 10MM ODF	2730010
Sightglass	SIGHT GLASS 10MM ODF	2464040
Discharge valve	SOLDER 3/8"	2110049
Suction valve	SOLDER 5/8"	2110054

CONDENSING COMPONENTS

Compressor	NJ9238GK	M/HBP
Condenser	3R16T	2451225
Refrigerant	R-404A	
Expansion Device	C-V	
Fan Blade Diameter	330	
Fankit	S4E300-XX	1996727

MECHANICAL DATA

Air Flow	2200 m ³ /h
Height	426 mm
Receiver	2.3 L
Weight	43 Kg
Width	600 mm
Length	440 mm

PERFORMANCE

TESTED CONDITIONS

Tested Refrigerant	R-404A
Tested Application	HBP
Tested Standard	ASHRAE

RATED POINTS

Ambient Temperature °C	Evaporating Temperature °C	Cooling Capacity W	Efficiency W/W	Consumo de Potencia W
32	7.2	5425	2.36	2295

Test Condition: Subcooling 3 K, Return Gas 32 °C.

PERFORMANCE CURVE

Ambient Temperature 25°C

Evaporating Temperature °C	Cooling Capacity W	Efficiency W/W	Consumo de Potencia W
-20	2273	1.76	1295
-15	2842	1.99	1426
-5	4129	2.37	1745
0	4847	2.51	1931
5	5614	2.63	2135
10	6431	2.73	2356

Test Condition: Subcooling 3 K, Return Gas 32 °C.

PERFORMANCE CURVE

Ambient Temperature 32°C

Evaporating Temperature °C	Cooling Capacity W	Efficiency W/W	Consumo de Potencia W
-20	2068	1.54	1340
-15	2584	1.75	1473
-5	3753	2.09	1798
0	4406	2.22	1989
5	5103	2.32	2198
10	5847	2.41	2424

Test Condition: Subcooling 3 K, Return Gas 32 °C.

PERFORMANCE CURVE

Ambient Temperature 43°C

Evaporating Temperature °C	Cooling Capacity W	Efficiency W/W	Consumo de Potencia W
-20	1757	1.25	1412
-15	2196	1.41	1556
-5	3191	1.67	1907
0	3747	1.77	2112
5	4341	1.86	2336
10	4974	1.93	2579

Test Condition: Subcooling 3 K, Return Gas 32 °C.

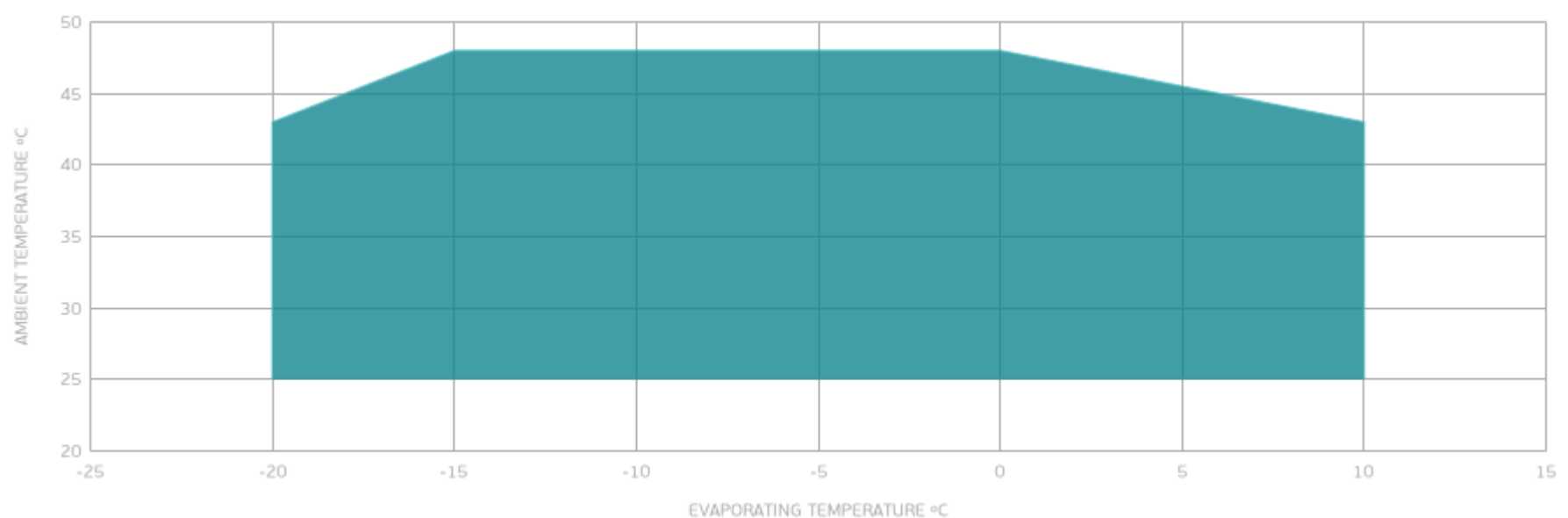
PERFORMANCE CURVE

Ambient Temperature 48°C

Evaporating Temperature °C	Cooling Capacity W	Efficiency W/W	Consumo de Potencia W
-10	2409	1.37	1755
-5	2887	1.48	1949
0	3400	1.57	2164

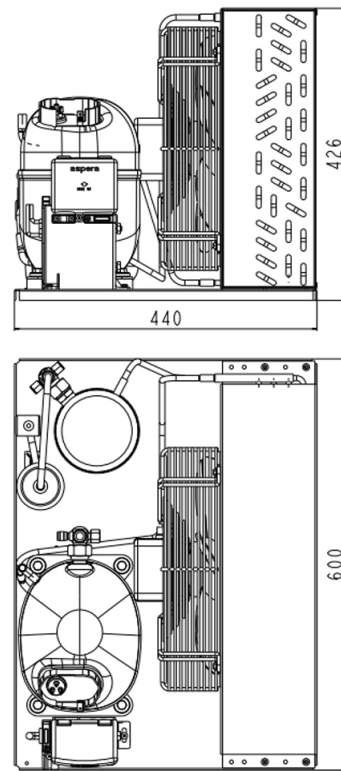
Test Condition: Subcooling 3 K, Return Gas 32 °C.

ENVELOPE



■ OPERATING CONDITION

EXTERNAL DIMENSIONS



WIRING DIAGRAM

