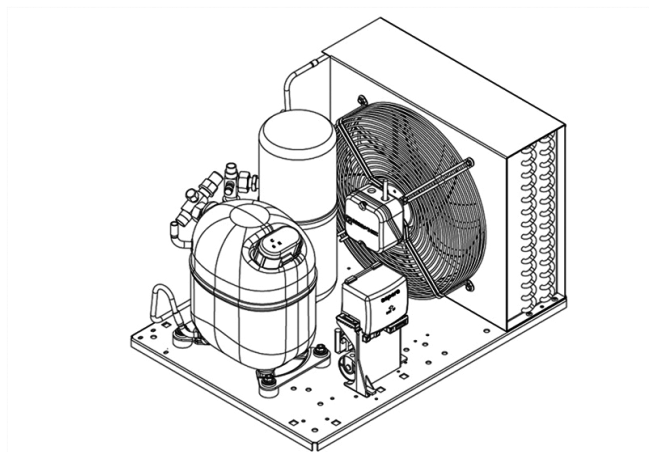


USNJ9232GK



ENGINEERING CODE
643NA5604TA



REFRIGERANT
R-404A



POWER SUPPLY
220-240 V 50 Hz



APPLICATION
HBP



MOTOR TYPE
CSR



STANDARD
ASHRAE



COOLING CAPACITY
3734 W



EFFICIENCY
2.19 W/W

CE

ECODESIGN COMPLIANT

DATA

GENERAL DATA

Model	USNJ9232GK
-------	------------

ACCESSORIES

Discharge valve	SOLDER 1/2"	2110050
Suction valve	SOLDER 5/8"	2110054

CONDENSING COMPONENTS

Compressor	NJ9232GK	M/HBP
Condenser	4R14T	2451199
Refrigerant	R-404A	
Expansion Device	C-V	
Fankit	S4E300-XX	1996589

MECHANICAL DATA

Air Flow	1300 m ³ /h
Height	372 mm
Receiver	3.9 L
Shaft Power	95
Weight	46 Kg
Width	440 mm
Length	600 mm

PERFORMANCE

TESTED CONDITIONS

Tested Refrigerant	R-404A
Tested Application	HBP
Tested Standard	ASHRAE

RATED POINTS

Ambient Temperature °C	Evaporating Temperature °C	Cooling Capacity W	Efficiency W/W	Consumo de Potencia W
32	7.2	3734	2.19	1703

Test Condition: Subcooling 3 K, Return Gas 32 °C.

PERFORMANCE CURVE

Ambient Temperature 25°C

Evaporating Temperature °C	Cooling Capacity W	Efficiency W/W	Consumo de Potencia W
-20	1761	1.73	1015
-15	2176	1.96	1108
-5	3047	2.31	1321
0	3515	2.44	1440
5	4012	2.56	1565
10	4545	2.68	1697

Test Condition: Subcooling 3 K, Return Gas 32 °C.

PERFORMANCE CURVE

Ambient Temperature 32°C

Evaporating Temperature °C	Cooling Capacity W	Efficiency W/W	Consumo de Potencia W
-20	1531	1.46	1050
-15	1887	1.64	1152
-5	2651	1.92	1383
0	3071	2.03	1509
5	3523	2.14	1643
10	4015	2.25	1782

Test Condition: Subcooling 3 K, Return Gas 32 °C.

PERFORMANCE CURVE

Ambient Temperature 43°C

Evaporating Temperature °C	Cooling Capacity W	Efficiency W/W	Consumo de Potencia W
-20	1237	1.15	1073
-15	1523	1.29	1185
-5	2161	1.51	1434
0	2526	1.61	1569
5	2929	1.71	1711
10	3376	1.82	1858

Test Condition: Subcooling 3 K, Return Gas 32 °C.

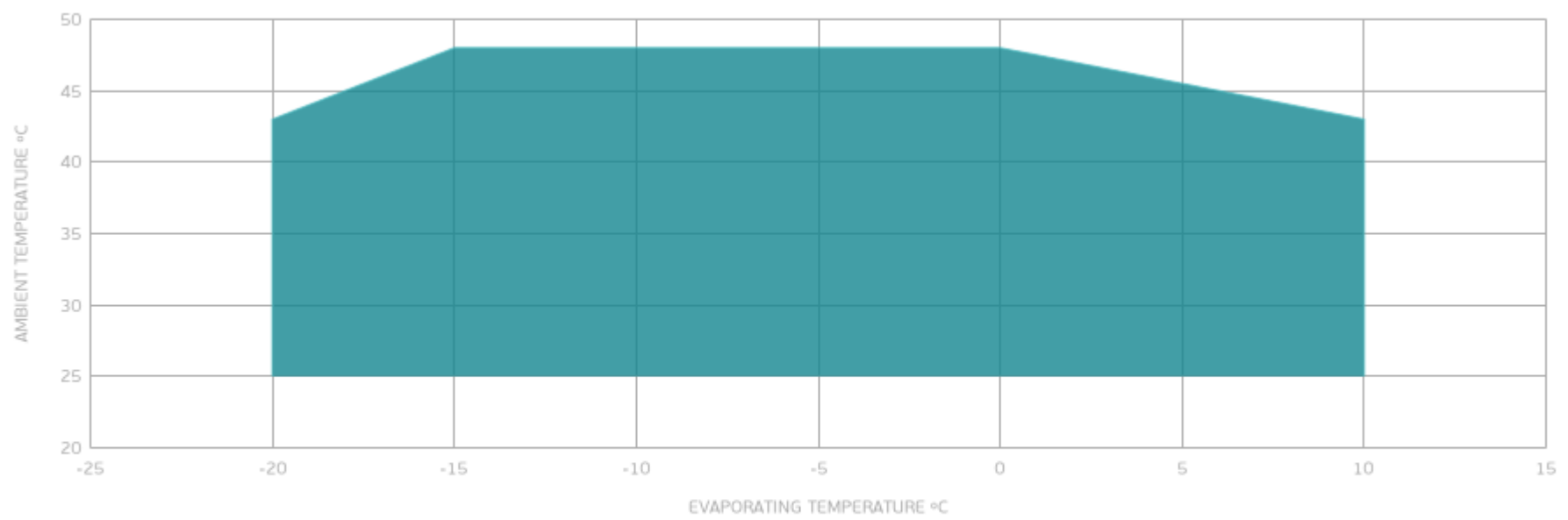
PERFORMANCE CURVE

Ambient Temperature 48°C

Evaporating Temperature °C	Cooling Capacity W	Efficiency W/W	Consumo de Potencia W
-10	1661	1.26	1317
-5	1975	1.36	1448
0	2323	1.47	1586

Test Condition: Subcooling 3 K, Return Gas 32 °C.

ENVELOPE



■ OPERATING CONDITION

