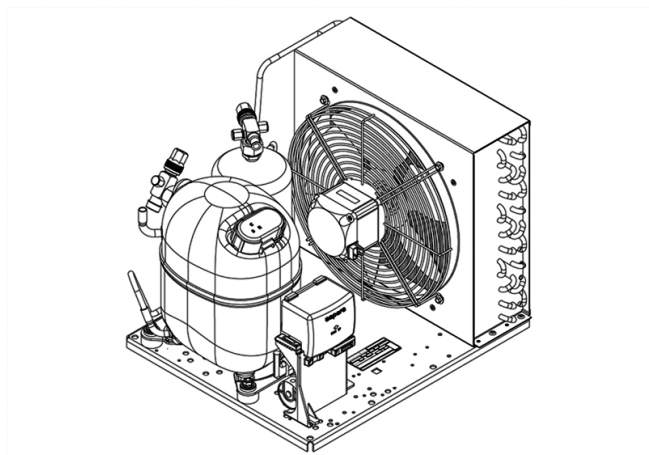


USNJ2212GK



ENGINEERING CODE
643TA5604TA



REFRIGERANT
R-404A



POWER SUPPLY
220-240 V 50 Hz



APPLICATION
LBP



MOTOR TYPE
CSR



STANDARD
ASHRAE



COOLING CAPACITY
1673 W



EFFICIENCY
1.35 W/W

CE

ECODESIGN COMPLIANT

DATA

GENERAL DATA

Model USNJ2212GK

ACCESSORIES

Discharge valve SOLDER 3/8" 2110049

Suction valve SOLDER 5/8" 2110054

CONDENSING COMPONENTS

Compressor NJ2212GK LBP

Condenser 3R14T 2451221

Refrigerant R-404A

Expansion Device C-V

Fan Blade Diameter 300

Fankit 34W 300/28/5B 1996585

MECHANICAL DATA

Air Flow	1450 m ³ /h
Height	372 mm
Receiver	2.3 L
Shaft Power	34
Weight	39 Kg
Width	411 mm
Length	482 mm

PERFORMANCE

TESTED CONDITIONS

Tested Refrigerant	R-404A
Tested Application	LBP
Tested Standard	ASHRAE

RATED POINTS

Ambient Temperature °C	Evaporating Temperature °C	Cooling Capacity W	Efficiency W/W	Consumo de Potencia W
32	-23.3	1673	1.35	1239

Test Condition: Subcooling 3 K, Return Gas 32 °C.

PERFORMANCE CURVE

Ambient Temperature 25°C

Evaporating Temperature °C	Cooling Capacity W	Efficiency W/W	Consumo de Potencia W
-40	894	1.07	837
-30	1409	1.37	1025
-25	1751	1.52	1155
-20	2139	1.63	1312
-15	2566	1.71	1497
-10	3024	1.77	1713

Test Condition: Subcooling 3 K, Return Gas 32 °C.

PERFORMANCE CURVE

Ambient Temperature 32°C

Evaporating Temperature °C	Cooling Capacity W	Efficiency W/W	Consumo de Potencia W
-40	723	0.94	772
-30	1232	1.20	1026
-25	1555	1.32	1181
-20	1913	1.41	1358
-15	2299	1.48	1558
-10	2704	1.52	1783

Test Condition: Subcooling 3 K, Return Gas 32 °C.

PERFORMANCE CURVE

Ambient Temperature 43°C

Evaporating Temperature °C	Cooling Capacity W	Efficiency W/W	Consumo de Potencia W
-40	474	0.67	704
-30	968	0.93	1037
-25	1257	1.03	1219
-20	1564	1.11	1414
-15	1881	1.16	1625
-10	2200	1.19	1853

Test Condition: Subcooling 3 K, Return Gas 32 °C.

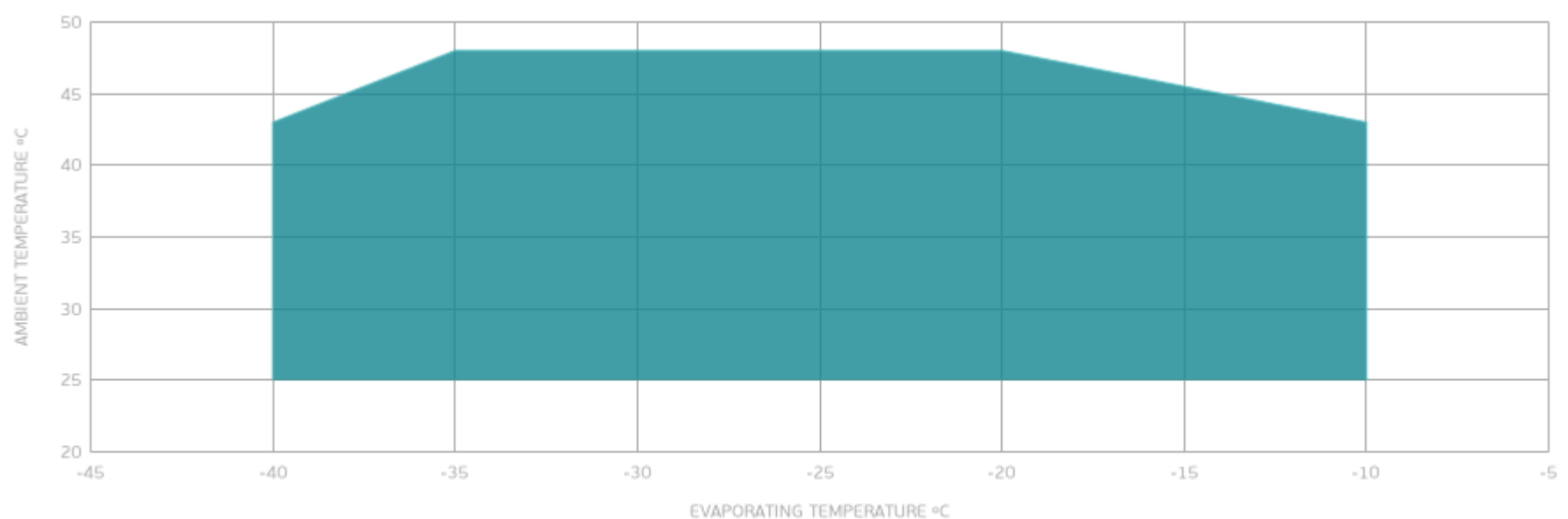
PERFORMANCE CURVE

Ambient Temperature 48°C

Evaporating Temperature °C	Cooling Capacity W	Efficiency W/W	Consumo de Potencia W
-30	861	0.83	1035
-25	1134	0.93	1224
-20	1416	0.99	1424

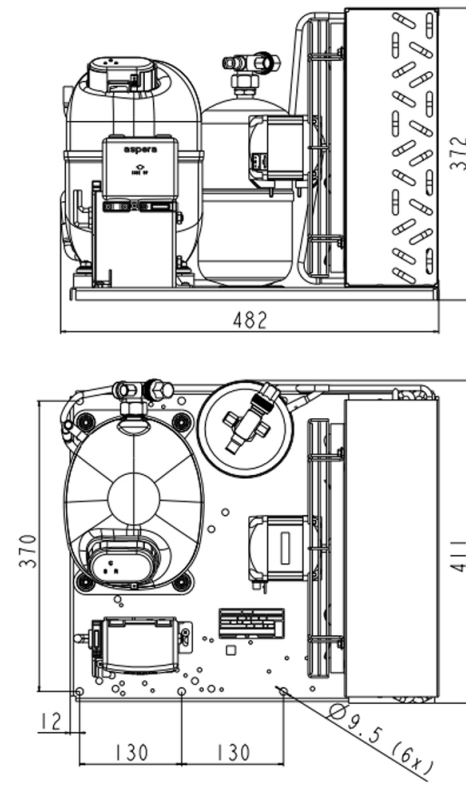
Test Condition: Subcooling 3 K, Return Gas 32 °C.

ENVELOPE



■ OPERATING CONDITION

EXTERNAL DIMENSIONS



WIRING DIAGRAM

