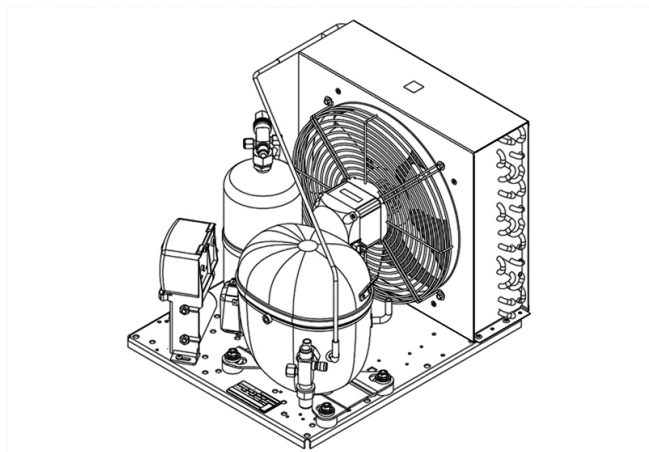


UNT6226GK



ENGINEERING CODE
603BA5604AA



REFRIGERANT
R-404A



POWER SUPPLY
220-240 V 50 Hz



APPLICATION
HBP



MOTOR TYPE
CSR



STANDARD
ASHRAE



COOLING CAPACITY
3304 W



EFFICIENCY
2.3 W/W

CE

ECODESIGN COMPLIANT

DATA

GENERAL DATA

Model UNT6226GK

ACCESSORIES

Discharge valve SOLDER 3/8" 2110049

Suction valve SOLDER 1/2" 2110050

CONDENSING COMPONENTS

Compressor NT6226GK M/HBP

Condenser 3R14T 2451221

Refrigerant R-404A

Expansion Device C-V

Fan Blade Diameter 300

Fankit 34W 300/28/5B 1996585

MECHANICAL DATA

Air Flow	700 m ³ /h
Height	372 mm
Receiver	2.3 L
Shaft Power	34
Weight	35 Kg
Width	405 mm
Length	485 mm

PERFORMANCE

TESTED CONDITIONS

Tested Refrigerant	R-404A
Tested Application	HBP
Tested Standard	ASHRAE

RATED POINTS

Ambient Temperature °C	Evaporating Temperature °C	Cooling Capacity W	Efficiency W/W	Consumo de Potencia W
32	7.2	3304	2.3	1435

Test Condition: Subcooling 3 K, Return Gas 32 °C.

PERFORMANCE CURVE

Ambient Temperature 25°C

Evaporating Temperature °C	Cooling Capacity W	Efficiency W/W	Consumo de Potencia W
-20	1544	1.86	831
-15	1868	2.05	912
-5	2640	2.40	1101
0	3063	2.54	1206
5	3494	2.65	1318
10	3921	2.73	1434

Test Condition: Subcooling 3 K, Return Gas 32 °C.

PERFORMANCE CURVE

Ambient Temperature 32°C

Evaporating Temperature °C	Cooling Capacity W	Efficiency W/W	Consumo de Potencia W
-20	1367	1.58	862
-15	1662	1.75	949
-5	2365	2.06	1151
0	2749	2.18	1263
5	3136	2.27	1381
10	3515	2.34	1505

Test Condition: Subcooling 3 K, Return Gas 32 °C.

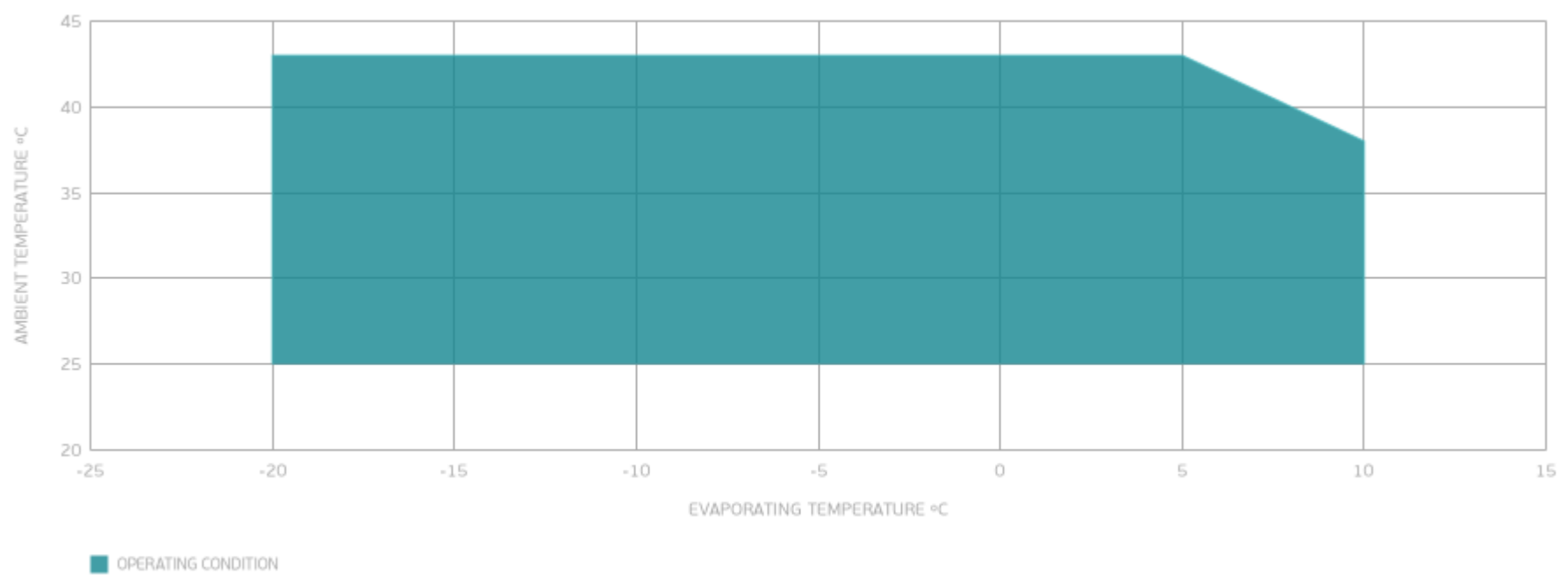
PERFORMANCE CURVE

Ambient Temperature 43°C

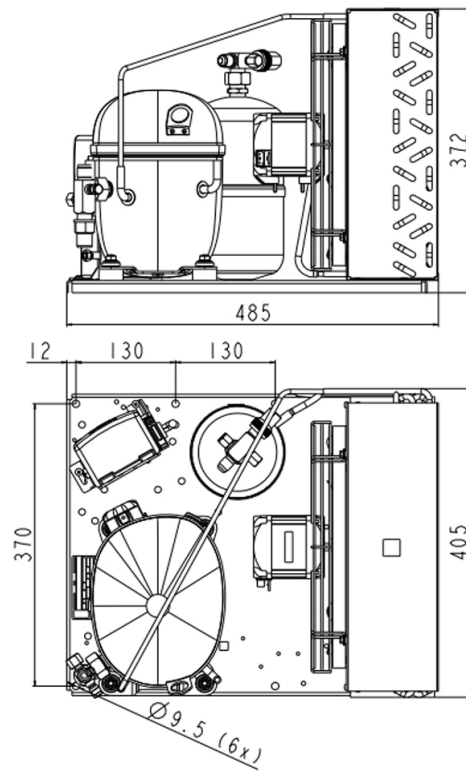
Evaporating Temperature °C	Cooling Capacity W	Efficiency W/W	Consumo de Potencia W
-20	1097	1.23	894
-15	1345	1.35	996
-5	1937	1.58	1229
0	2255	1.66	1357
5	2572	1.72	1492

Test Condition: Subcooling 3 K, Return Gas 32 °C.

ENVELOPE



EXTERNAL DIMENSIONS



WIRING DIAGRAM

