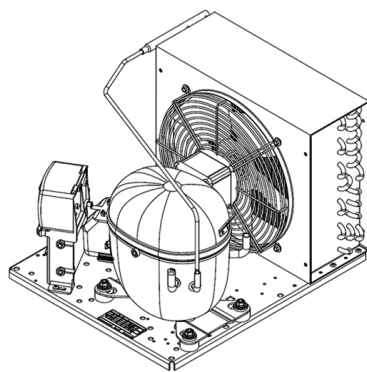


UNT6220GK



ENGINEERING CODE
602BN5304AA



REFRIGERANT
R-404A



POWER SUPPLY
200-240 V 50 Hz
/ 230 V 60 Hz



APPLICATION
HBP



MOTOR TYPE
CSR



STANDARD
ASHRAE

CE

ECODESIGN
COMPLIANT



COOLING CAPACITY
2352 W



EFFICIENCY
1.72 W/W

DATA

GENERAL DATA

Model UNT6220GK

CONDENSING COMPONENTS

Compressor	NT6220GK	M/HBP
Condenser	3R12T	2451140
Refrigerant	R-404A	
Expansion Device	C-V	
Fan Blade Diameter	275	
Fankit	34W 275/31/5B	1996583

MECHANICAL DATA

Air Flow	640 m ³ /h
Height	324 mm
Shaft Power	34
Weight	31 Kg
Width	395 mm
Length	494 mm

PERFORMANCE

TESTED CONDITIONS

Tested Refrigerant	R-404A
Tested Application	HBP
Tested Standard	ASHRAE

RATED POINTS

Ambient Temperature °C	Evaporating Temperature °C	Cooling Capacity W	Efficiency W/W	Consumo de Potencia W
32	7.2	2352	1.72	1365

Test Condition: Subcooling 3 K, Return Gas 32 °C.

PERFORMANCE CURVE

Ambient Temperature 25°C

Evaporating Temperature °C	Cooling Capacity W	Efficiency W/W	Consumo de Potencia W
-20	1141	1.53	745
-15	1365	1.64	834
-5	1840	1.79	1030
0	2115	1.85	1141
5	2432	1.92	1264
10	2802	2.00	1403

Test Condition: Subcooling 3 K, Return Gas 32 °C.

PERFORMANCE CURVE

Ambient Temperature 32°C

Evaporating Temperature °C	Cooling Capacity W	Efficiency W/W	Consumo de Potencia W
-20	1040	1.35	770
-15	1242	1.44	860
-5	1668	1.57	1060
0	1918	1.63	1175
5	2208	1.69	1303
10	2552	1.76	1447

Test Condition: Subcooling 3 K, Return Gas 32 °C.

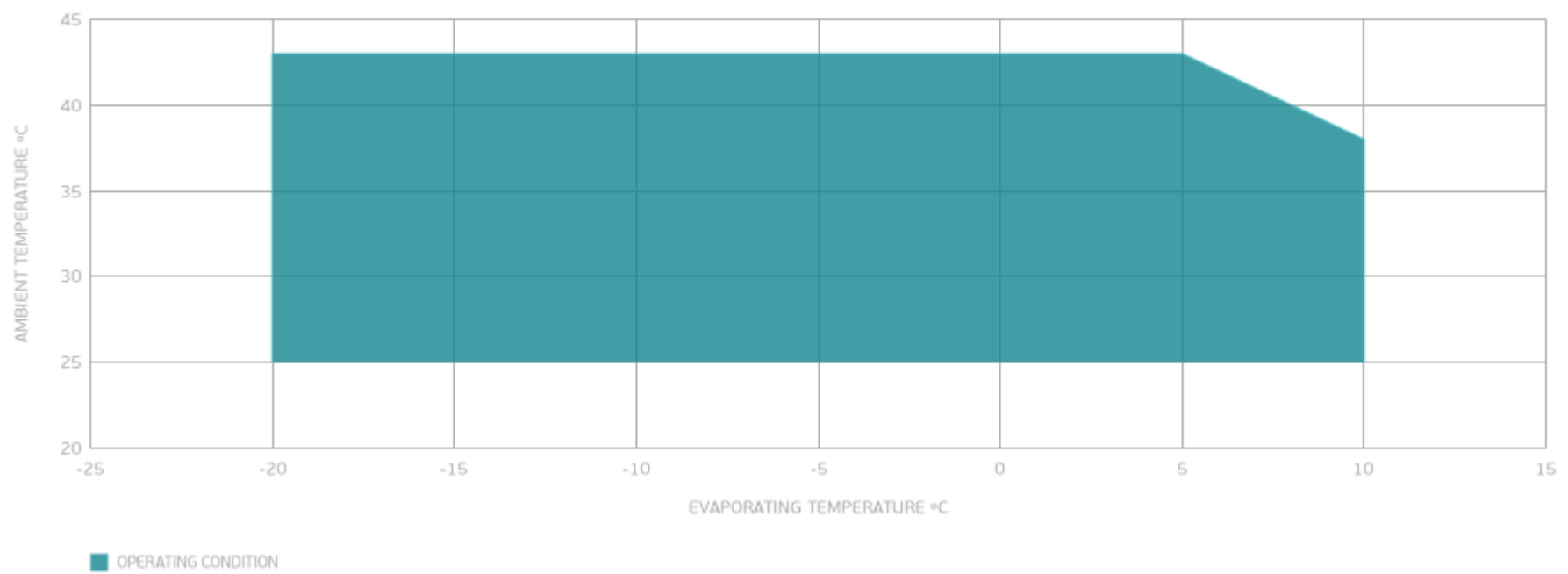
PERFORMANCE CURVE

Ambient Temperature 43°C

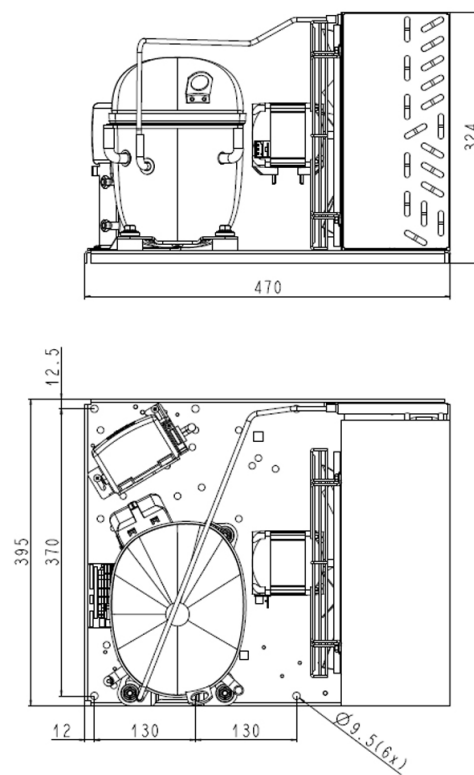
Evaporating Temperature °C	Cooling Capacity W	Efficiency W/W	Consumo de Potencia W
-20	882	1.08	815
-15	1055	1.16	910
-5	1421	1.26	1125
0	1638	1.31	1249
5	1896	1.37	1388

Test Condition: Subcooling 3 K, Return Gas 32 °C.

ENVELOPE



EXTERNAL DIMENSIONS



WIRING DIAGRAM

