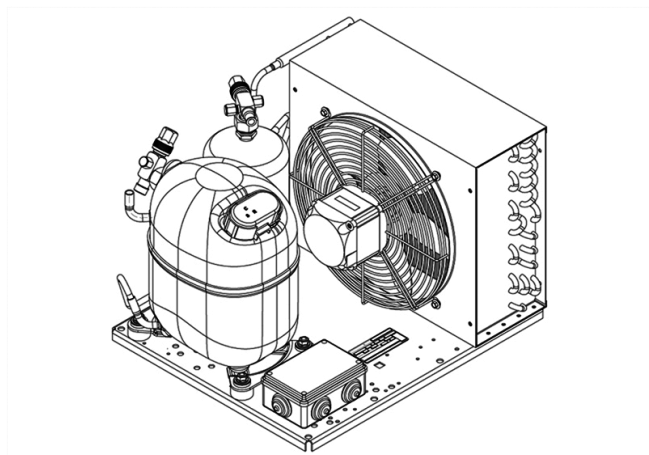


UNJ6220ZX



**ENGINEERING CODE**  
548PM5603AA

**POWER SUPPLY**  
380-420 V 50 Hz

**MOTOR TYPE**  
3PH

**REFRIGERANT**  
R-134a

**APPLICATION**  
HBP

**STANDARD**  
ASHRAE

**COOLING CAPACITY**  
2470 W

**EFFICIENCY**  
2.43 W/W

CE

ECODSIGN COMPLIANT

DATA

GENERAL DATA

**Model** UNJ6220ZX

ACCESSORIES

**Discharge valve** SOLDER 3/8" 2110049

**Suction valve** SOLDER 1/2" 2110050

CONDENSING COMPONENTS

**Compressor** NJ6220ZX M/HBP

**Condenser** 3R12T 2451140

**Refrigerant** R-134a

**Expansion Device** C-V

**Fan Blade Diameter** 275

**Fankit** 34W/400V 275/31 1996582

## MECHANICAL DATA

Air Flow	640 m <sup>3</sup> /h
Height	324 mm
Receiver	2.3 L
Shaft Power	34
Weight	35 Kg
Width	410 mm
Length	481 mm

## PERFORMANCE

### TESTED CONDITIONS

Tested Refrigerant	R-134a
Tested Application	HBP
Tested Standard	ASHRAE

### RATED POINTS

Ambient Temperature °C	Evaporating Temperature °C	Cooling Capacity W	Efficiency W/W	Consumo de Potencia W
32	7.2	2470	2.43	1018

Test Condition: Subcooling 3 K, Return Gas 32 °C.

### PERFORMANCE CURVE

Ambient Temperature 25°C

Evaporating Temperature °C	Cooling Capacity W	Efficiency W/W	Consumo de Potencia W
-15	1184	1.90	622
-5	1788	2.31	775
0	2143	2.49	859
5	2534	2.67	948
10	2960	2.85	1040

Test Condition: Subcooling 3 K, Return Gas 32 °C.

### PERFORMANCE CURVE

Ambient Temperature 32°C

Evaporating Temperature °C	Cooling Capacity W	Efficiency W/W	Consumo de Potencia W
-15	1076	1.67	643
-5	1627	2.04	796
0	1949	2.21	883
5	2304	2.36	976
10	2690	2.50	1074

Test Condition: Subcooling 3 K, Return Gas 32 °C.

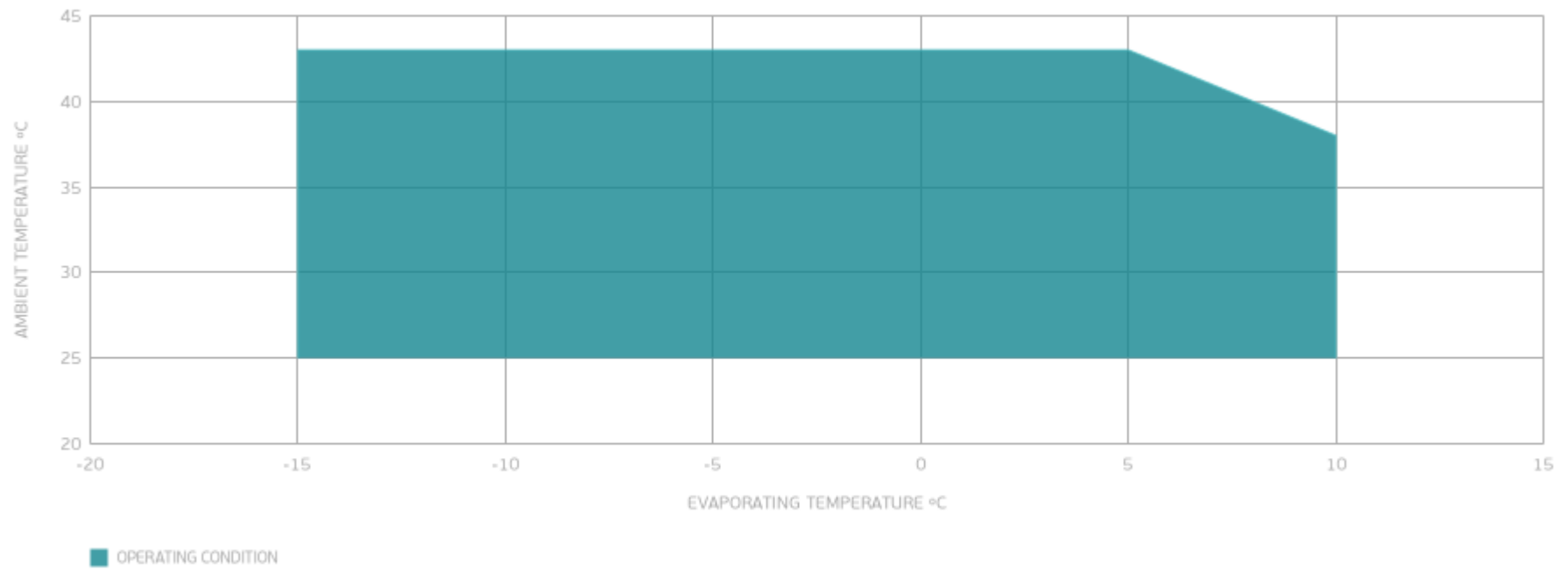
## PERFORMANCE CURVE

Ambient Temperature 43°C

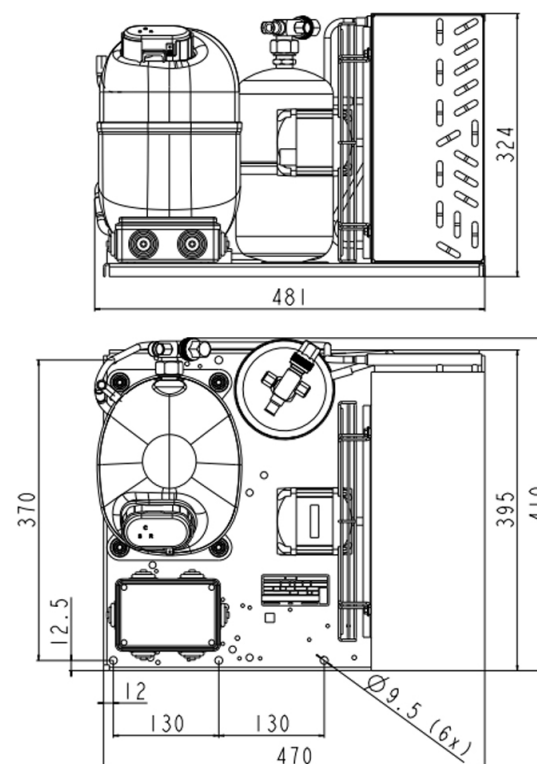
Evaporating Temperature °C	Cooling Capacity W	Efficiency W/W	Consumo de Potencia W
-15	889	1.39	640
-5	1384	1.69	817
0	1671	1.82	920
5	1983	1.92	1032

Test Condition: Subcooling 3 K, Return Gas 32 °C.

## ENVELOPE



## EXTERNAL DIMENSIONS



WIRING DIAGRAM

