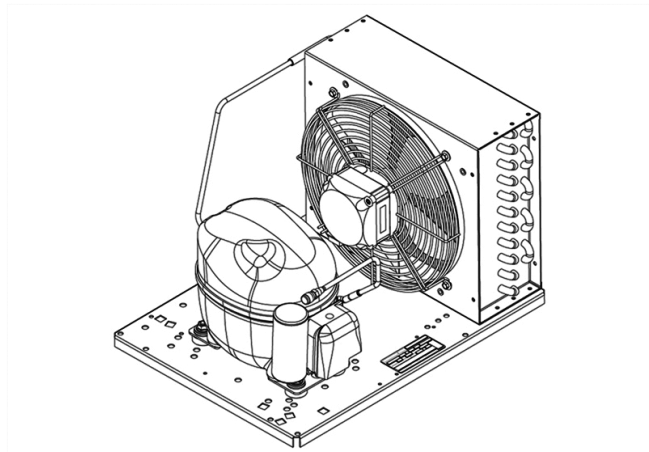


UNEK6214Z



CE


ENGINEERING CODE
559HA9012AA

POWER SUPPLY
220-240 V 50 Hz

MOTOR TYPE
CSIR

REFRIGERANT
R-134a

APPLICATION
HBP

STANDARD
ASHRAE

COOLING CAPACITY
1468 W

EFFICIENCY
1.95 W/W

DATA

GENERAL DATA

Model	UNEK6214Z
-------	-----------

CONDENSING COMPONENTS

Compressor	NEK6214Z	M/HBP
Condenser	3R11T	2451206
Refrigerant	R-134a	
Expansion Device	C-V	
Fan Blade Diameter	254	
Fankit	16W 254/28/5B	1996579

MECHANICAL DATA

Air Flow	595 m ³ /h
Height	296 mm
Shaft Power	16
Weight	20 Kg
Width	340 mm
Length	465 mm

PERFORMANCE

TESTED CONDITIONS

Tested Refrigerant	R-134a
Tested Application	HBP
Tested Standard	ASHRAE

RATED POINTS

Ambient Temperature °C	Evaporating Temperature °C	Cooling Capacity W	Efficiency W/W	Consumo de Potencia W
32	7.2	1468	1.95	753

Test Condition: Subcooling 3 K, Return Gas 32 °C.

PERFORMANCE CURVE

Ambient Temperature 25°C

Evaporating Temperature °C	Cooling Capacity W	Efficiency W/W	Consumo de Potencia W
-15	722	1.57	460
-5	1076	1.91	564
0	1283	2.05	627
5	1509	2.16	697
10	1755	2.27	774

Test Condition: Subcooling 3 K, Return Gas 32 °C.

PERFORMANCE CURVE

Ambient Temperature 32°C

Evaporating Temperature °C	Cooling Capacity W	Efficiency W/W	Consumo de Potencia W
-15	656	1.38	474
-5	978	1.68	582
0	1166	1.80	646
5	1372	1.91	719
10	1595	2.00	798

Test Condition: Subcooling 3 K, Return Gas 32 °C.

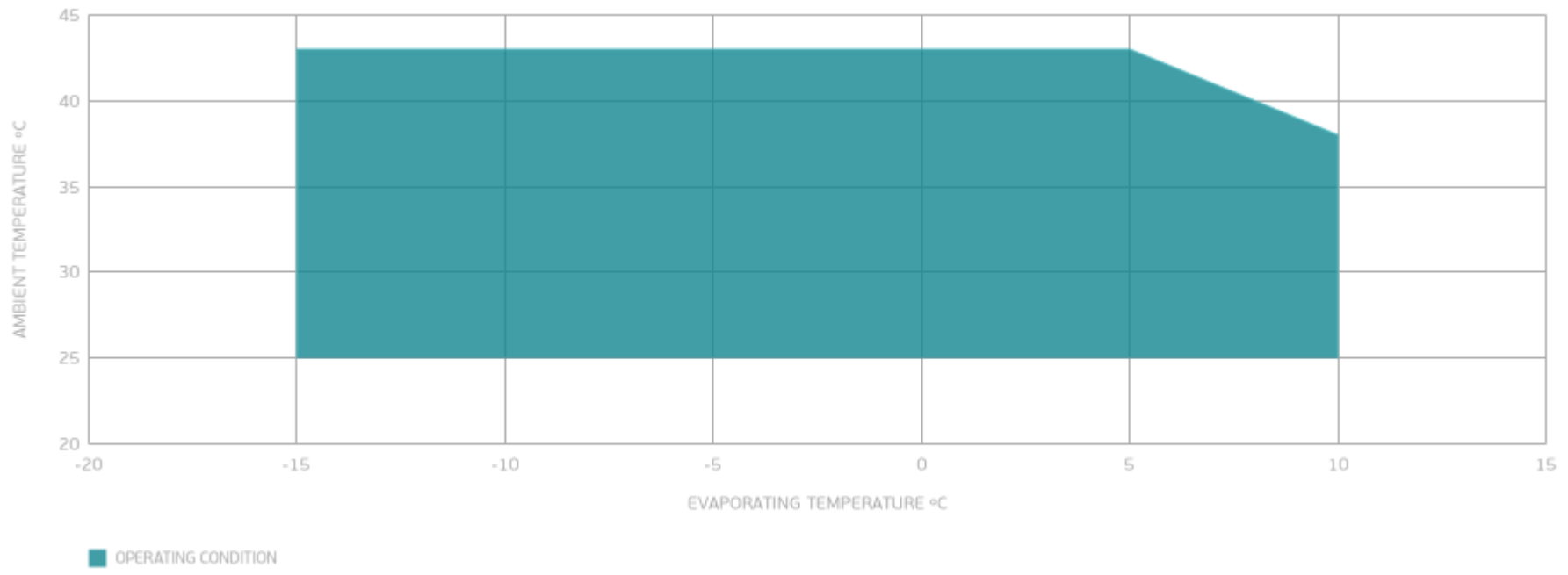
PERFORMANCE CURVE

Ambient Temperature 43°C

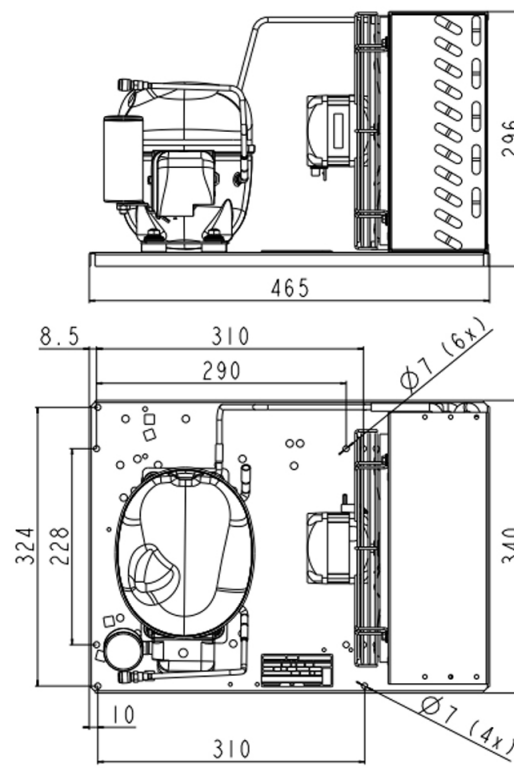
Evaporating Temperature °C	Cooling Capacity W	Efficiency W/W	Consumo de Potencia W
-15	531	1.07	495
-5	813	1.31	621
0	976	1.40	697
5	1155	1.48	780

Test Condition: Subcooling 3 K, Return Gas 32 °C.

ENVELOPE



EXTERNAL DIMENSIONS



WIRING DIAGRAM

