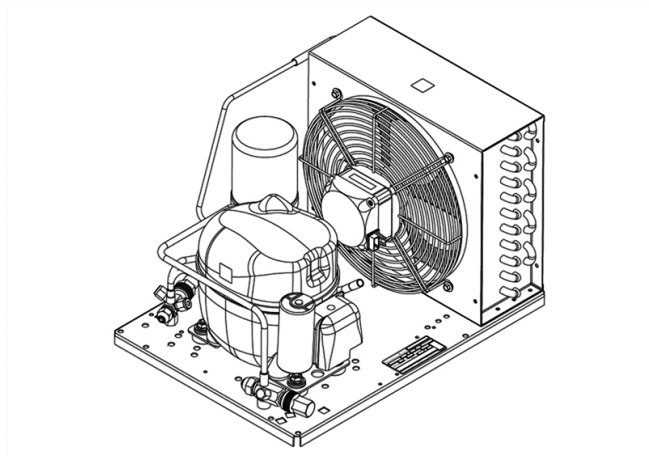


UNEK6213GK



ENGINEERING CODE
659BA5612AA



POWER SUPPLY
220-240 V 50 Hz



MOTOR TYPE
CSIR



REFRIGERANT
R-404A



APPLICATION
HBP



STANDARD
ASHRAE



COOLING CAPACITY
1646 W



EFFICIENCY
1.74 W/W

CE

✓ ECODSIGN COMPLIANT

DATA

GENERAL DATA

Model UNEK6213GK

ACCESSORIES

Discharge valve	SOLDER 1/4"	2110047
Suction valve	SOLDER 3/8"	2110046

CONDENSING COMPONENTS

Compressor	NEK6213GK	M/HBP
Condenser	3R11T	2451206
Refrigerant	R-404A	
Expansion Device	C-V	
Fan Blade Diameter	254	
Fankit	16W 254/28/5B	1996579

MECHANICAL DATA

Air Flow	595 m ³ /h
Height	296 mm
Receiver	1.1 L
Shaft Power	16
Weight	22 Kg
Width	340 mm
Length	465 mm

PERFORMANCE

TESTED CONDITIONS

Tested Refrigerant	R-404A
Tested Application	HBP
Tested Standard	ASHRAE

RATED POINTS

Ambient Temperature °C	Evaporating Temperature °C	Cooling Capacity W	Efficiency W/W	Consumo de Potencia W
32	7.2	1646	1.74	944

Test Condition: Subcooling 3 K, Return Gas 32 °C.

PERFORMANCE CURVE

Ambient Temperature 25°C

Evaporating Temperature °C	Cooling Capacity W	Efficiency W/W	Consumo de Potencia W
-20	796	1.50	532
-15	970	1.66	584
-5	1335	1.87	712
0	1526	1.93	789
5	1722	1.97	875
10	1924	1.98	970

Test Condition: Subcooling 3 K, Return Gas 32 °C.

PERFORMANCE CURVE

Ambient Temperature 32°C

Evaporating Temperature °C	Cooling Capacity W	Efficiency W/W	Consumo de Potencia W
-20	726	1.33	547
-15	881	1.46	602
-5	1211	1.64	736
0	1385	1.70	815
5	1565	1.73	902
10	1751	1.75	998

Test Condition: Subcooling 3 K, Return Gas 32 °C.

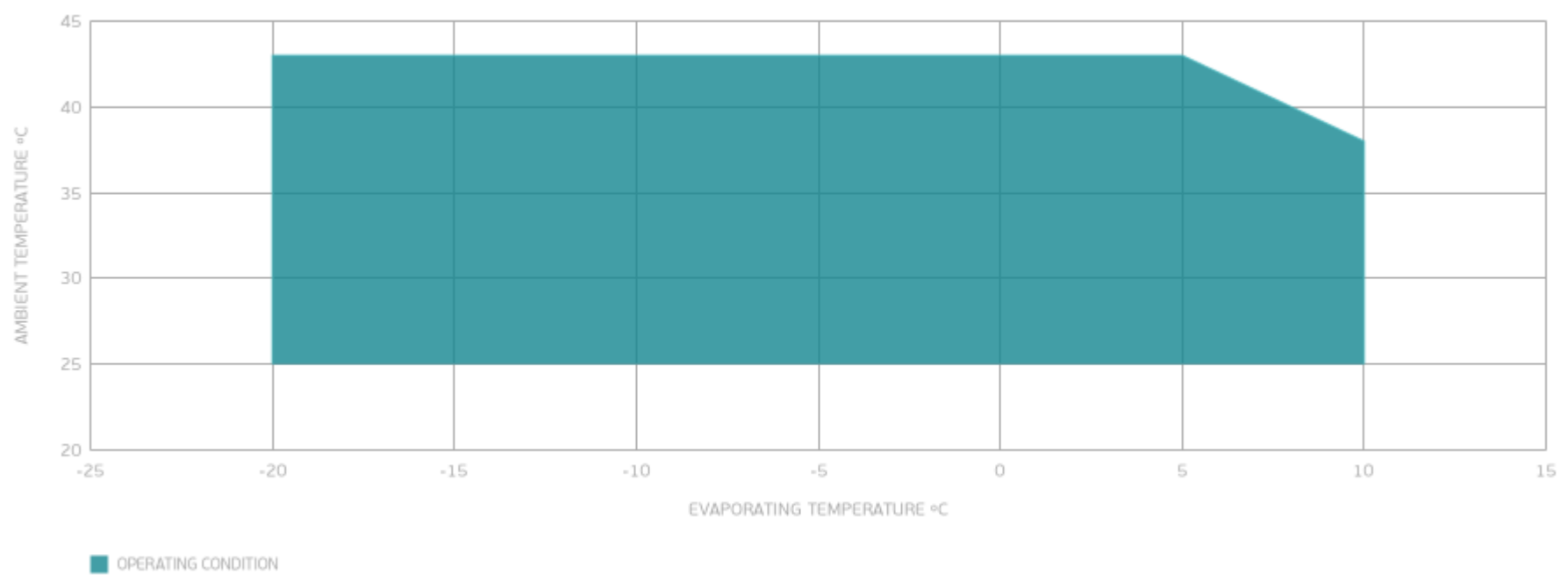
PERFORMANCE CURVE

Ambient Temperature 43°C

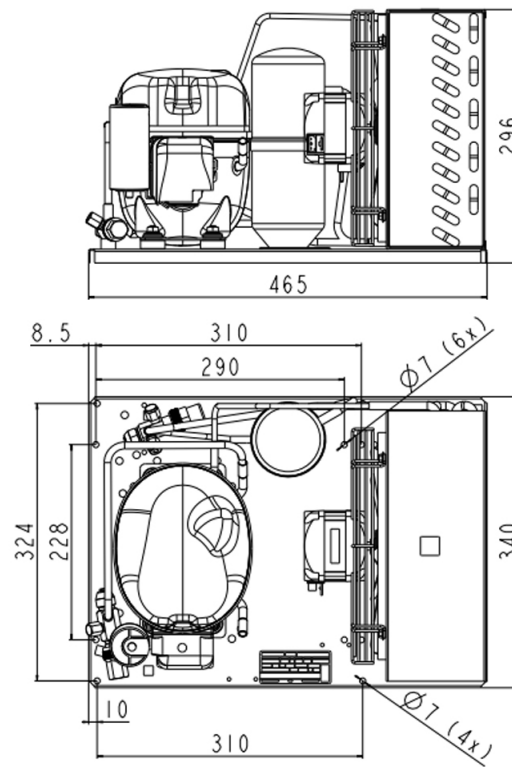
Evaporating Temperature °C	Cooling Capacity W	Efficiency W/W	Consumo de Potencia W
-20	575	0.99	582
-15	698	1.08	646
-5	969	1.22	796
0	1116	1.26	882
5	1270	1.30	977

Test Condition: Subcooling 3 K, Return Gas 32 °C.

ENVELOPE



EXTERNAL DIMENSIONS



WIRING DIAGRAM

