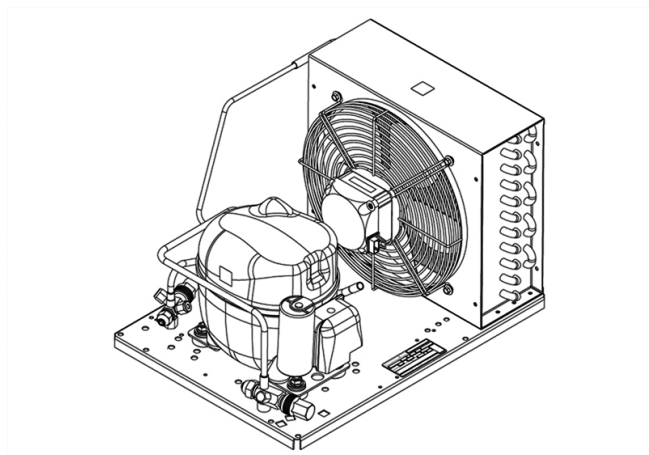


UNEK6210GK



**ENGINEERING CODE**  
674CA5112AA



**REFRIGERANT**  
R-404A



**POWER SUPPLY**  
220-240 V 50 Hz



**APPLICATION**  
HBP



**MOTOR TYPE**  
CSIR



**STANDARD**  
ASHRAE



**COOLING CAPACITY**  
1280 W



**EFFICIENCY**  
1.98 W/W

CE

ECODESIGN COMPLIANT

DATA

GENERAL DATA

Model UNEK6210GK

ACCESSORIES

Discharge valve	FLARE 1/4"	2110025
Suction valve	FLARE 3/8"	2110024

CONDENSING COMPONENTS

Compressor	NEK6210GK	M/HBP
Condenser	3R11T	2451206
Refrigerant	R-404A	
Expansion Device	C-V	
Fan Blade Diameter	254	
Fankit	16W 254/28/5B	1996610

MECHANICAL DATA

Air Flow	595 m <sup>3</sup> /h
Height	296 mm
Shaft Power	16
Weight	21 Kg
Width	340 mm
Length	465 mm

## PERFORMANCE

### TESTED CONDITIONS

Tested Refrigerant	R-404A
Tested Application	HBP
Tested Standard	ASHRAE

### RATED POINTS

Ambient Temperature °C	Evaporating Temperature °C	Cooling Capacity W	Efficiency W/W	Consumo de Potencia W
32	7.2	1280	1.98	647

Test Condition: Subcooling 3 K, Return Gas 32 °C.

### PERFORMANCE CURVE

Ambient Temperature 25°C

Evaporating Temperature °C	Cooling Capacity W	Efficiency W/W	Consumo de Potencia W
-20	577	1.49	386
-15	718	1.71	420
-5	1032	2.09	494
0	1203	2.25	535
5	1383	2.38	580
10	1569	2.50	629

Test Condition: Subcooling 3 K, Return Gas 32 °C.

### PERFORMANCE CURVE

Ambient Temperature 32°C

Evaporating Temperature °C	Cooling Capacity W	Efficiency W/W	Consumo de Potencia W
-20	531	1.31	406
-15	647	1.46	444
-5	910	1.73	527
0	1056	1.84	574
5	1210	1.94	624
10	1372	2.02	678

Test Condition: Subcooling 3 K, Return Gas 32 °C.

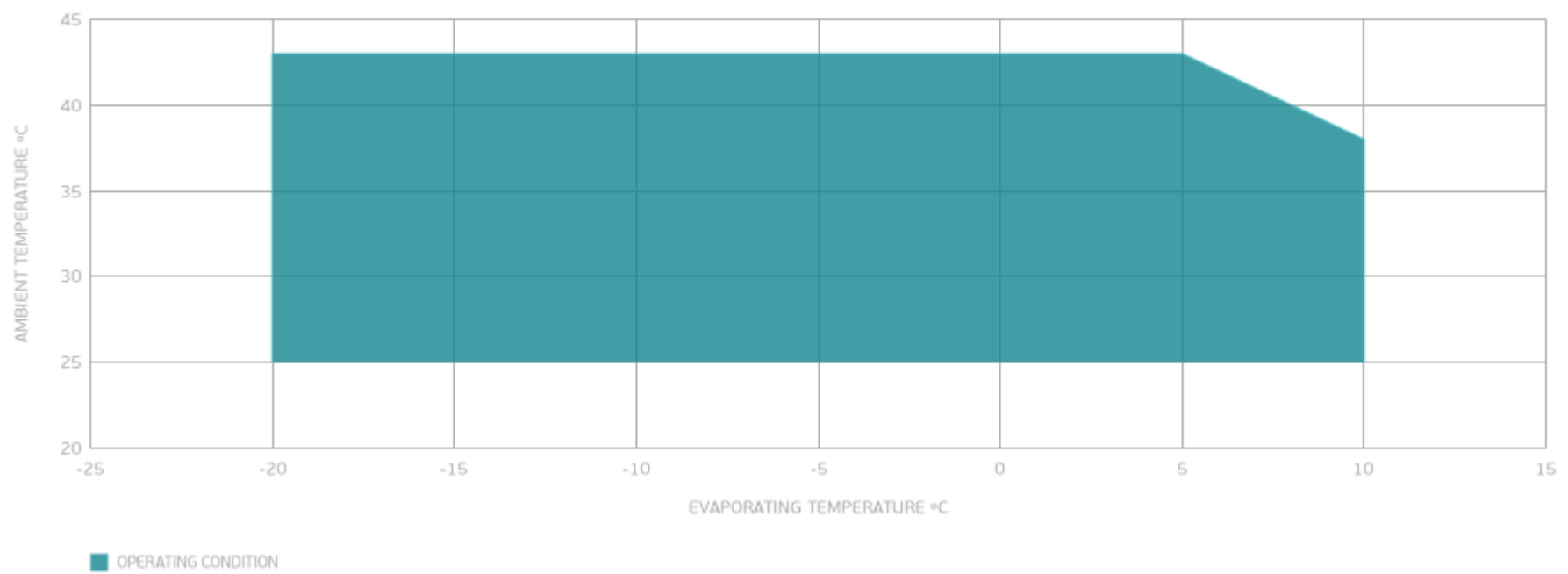
## PERFORMANCE CURVE

Ambient Temperature 43°C

Evaporating Temperature °C	Cooling Capacity W	Efficiency W/W	Consumo de Potencia W
-20	422	0.97	437
-15	509	1.06	480
-5	716	1.25	575
0	834	1.33	627
5	961	1.40	684

Test Condition: Subcooling 3 K, Return Gas 32 °C.

## ENVELOPE



## EXTERNAL DIMENSIONS

