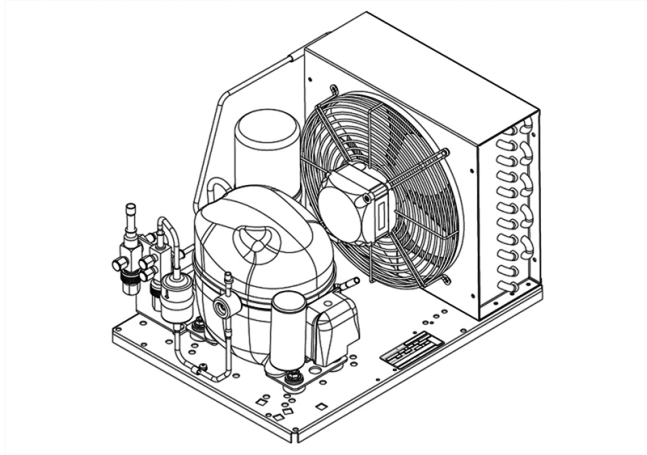


UNEK6181GK



**ENGINEERING CODE**  
557MAL612AA



**REFRIGERANT**  
R-404A



**POWER SUPPLY**  
220-240 V 50 Hz



**APPLICATION**  
HBP



**MOTOR TYPE**  
CSIR



**STANDARD**  
ASHRAE



**COOLING CAPACITY**  
1190 W



**EFFICIENCY**  
2.16 W/W

CE

ECODESIGN  
COMPLIANT

DATA

GENERAL DATA

Model UNEK6181GK

ACCESSORIES

Dryer	FILTER DRYER 6MM ODF	2730006
Sightglass	SIGHT GLASS 6MM ODF	2464031
Discharge valve	SOLDER 1/4"	2110086
Suction valve	SOLDER 3/8"	2110060

CONDENSING COMPONENTS

Compressor	NEK6181GK	M/HBP
Condenser	3R11T	2451206
Refrigerant	R-404A	
Expansion Device	C-V	
Fan Blade Diameter	254	
Fankit	16W 254/28/5B	1996579

## MECHANICAL DATA

Air Flow	595 m <sup>3</sup> /h
Height	296 mm
Receiver	1.1 L
Shaft Power	16
Weight	21 Kg
Width	340 mm
Length	475 mm

## PERFORMANCE

### TESTED CONDITIONS

Tested Refrigerant	R-404A
Tested Application	HBP
Tested Standard	ASHRAE

### RATED POINTS

Ambient Temperature °C	Evaporating Temperature °C	Cooling Capacity W	Efficiency W/W	Consumo de Potencia W
32	7.2	1190	2.16	551

Test Condition: Subcooling 3 K, Return Gas 32 °C.

### PERFORMANCE CURVE

Ambient Temperature 25°C

Evaporating Temperature °C	Cooling Capacity W	Efficiency W/W	Consumo de Potencia W
-20	504	1.42	354
-15	617	1.62	380
-5	881	2.01	439
0	1034	2.20	470
5	1203	2.40	502
10	1389	2.60	533

Test Condition: Subcooling 3 K, Return Gas 32 °C.

## PERFORMANCE CURVE

Ambient Temperature 32°C

Evaporating Temperature °C	Cooling Capacity W	Efficiency W/W	Consumo de Potencia W
-20	473	1.30	364
-15	577	1.46	395
-5	820	1.77	463
0	960	1.93	499
5	1116	2.09	535
10	1288	2.26	571

Test Condition: Subcooling 3 K, Return Gas 32 °C.

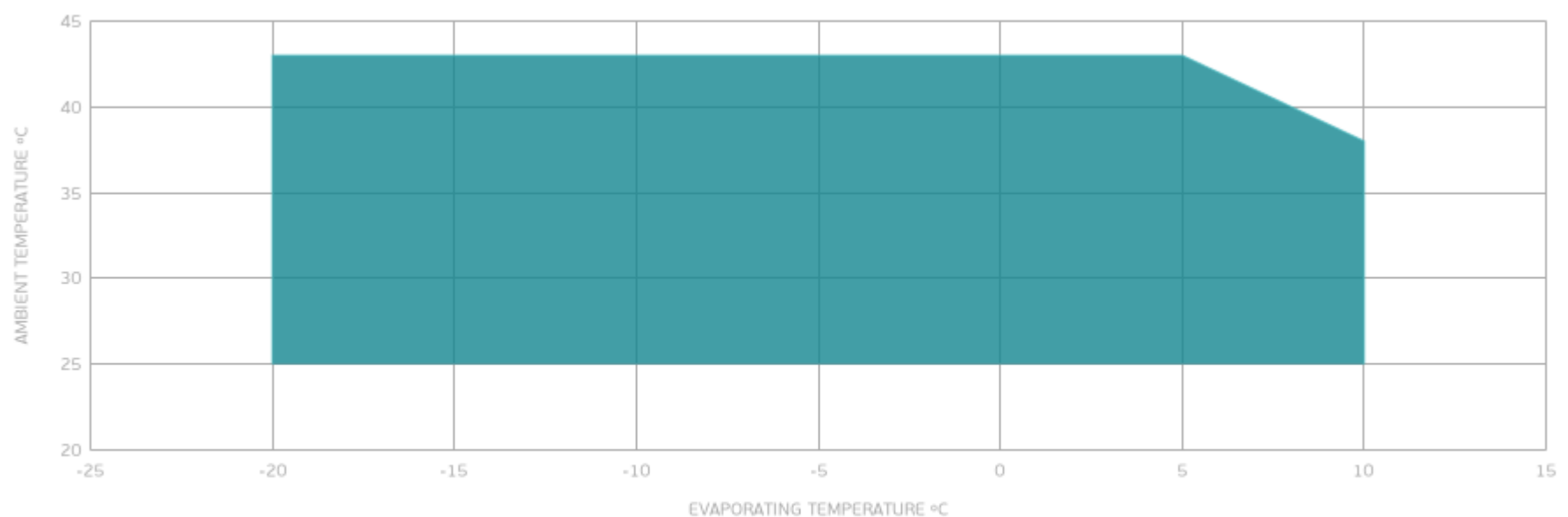
## PERFORMANCE CURVE

Ambient Temperature 43°C

Evaporating Temperature °C	Cooling Capacity W	Efficiency W/W	Consumo de Potencia W
-20	409	1.09	377
-15	504	1.20	418
-5	722	1.42	508
0	847	1.53	555
5	987	1.64	603

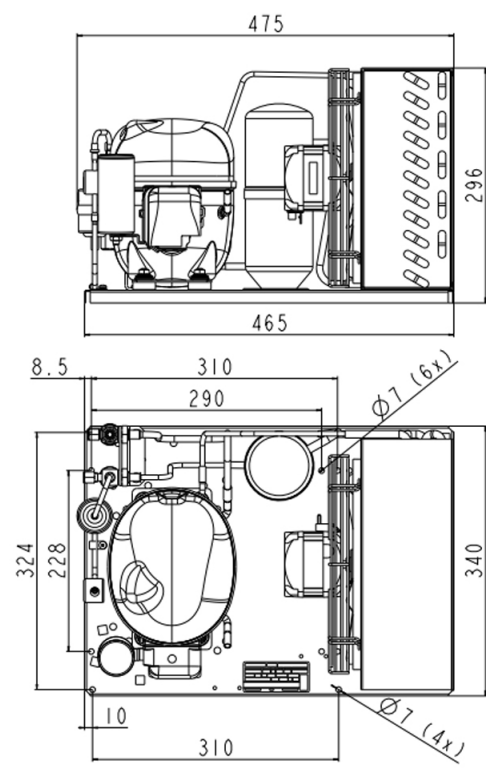
Test Condition: Subcooling 3 K, Return Gas 32 °C.

## ENVELOPE



■ OPERATING CONDITION

## EXTERNAL DIMENSIONS



## WIRING DIAGRAM

