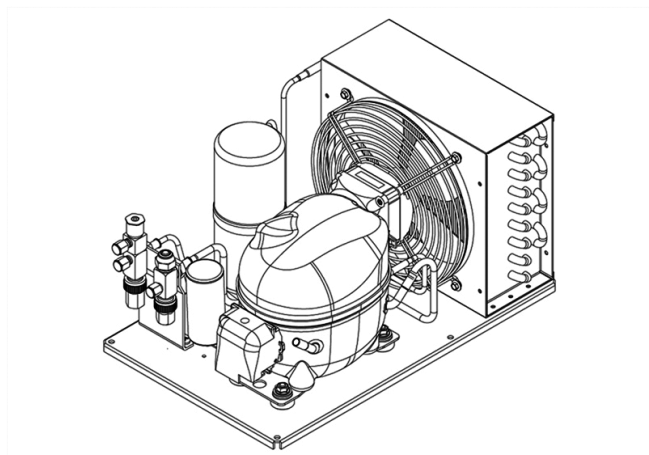


UNEK6165GK



**ENGINEERING CODE**  
557IA8212AA



**REFRIGERANT**  
R-404A



**POWER SUPPLY**  
220-240 V 50 Hz



**APPLICATION**  
HBP



**MOTOR TYPE**  
CSIR



**STANDARD**  
ASHRAE



**COOLING CAPACITY**  
989 W



**EFFICIENCY**  
1.88 W/W

CE

ECODESIGN  
COMPLIANT

DATA

GENERAL DATA

**Model** UNEK6165GK

ACCESSORIES

**Discharge valve** FLARE 1/4" 2110085

**Suction valve** FLARE 3/8" 2110059

CONDENSING COMPONENTS

**Compressor** NEK6165GK M/HBP

**Condenser** 3R9T 2451205

**Refrigerant** R-404A

**Expansion Device** C-V

**Fan Blade Diameter** 230

**Fankit** 10W 230/31/5B 1996699

## MECHANICAL DATA

Air Flow	420 m <sup>3</sup> /h
Height	254 mm
Receiver	1.1 L
Shaft Power	10
Weight	20 Kg
Width	302 mm
Length	480 mm

## PERFORMANCE

### TESTED CONDITIONS

Tested Refrigerant	R-404A
Tested Application	HBP
Tested Standard	ASHRAE

### RATED POINTS

Ambient Temperature °C	Evaporating Temperature °C	Cooling Capacity W	Efficiency W/W	Consumo de Potencia W
32	7.2	989	1.88	526

Test Condition: Subcooling 3 K, Return Gas 32 °C.

### PERFORMANCE CURVE

Ambient Temperature 25°C

Evaporating Temperature °C	Cooling Capacity W	Efficiency W/W	Consumo de Potencia W
-20	509	1.44	354
-15	618	1.62	380
-5	886	2.02	439
0	1043	2.22	470
5	1214	2.42	502
10	1399	2.62	533

Test Condition: Subcooling 3 K, Return Gas 32 °C.

## PERFORMANCE CURVE

Ambient Temperature 32°C

Evaporating Temperature °C	Cooling Capacity W	Efficiency W/W	Consumo de Potencia W
-20	452	1.42	319
-15	519	1.47	354
-5	698	1.63	429
0	808	1.72	468
5	931	1.83	508
10	1066	1.94	548

Test Condition: Subcooling 3 K, Return Gas 32 °C.

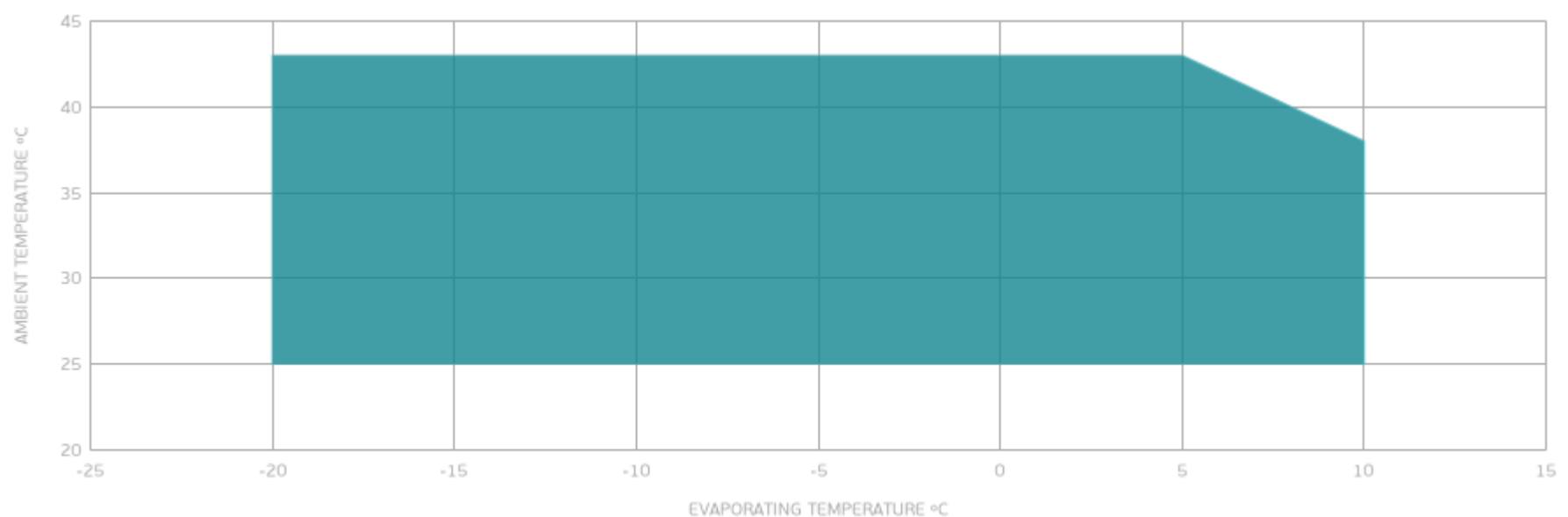
## PERFORMANCE CURVE

Ambient Temperature 43°C

Evaporating Temperature °C	Cooling Capacity W	Efficiency W/W	Consumo de Potencia W
-20	413	1.10	377
-15	505	1.21	419
-5	726	1.43	509
0	855	1.54	555
5	993	1.65	603

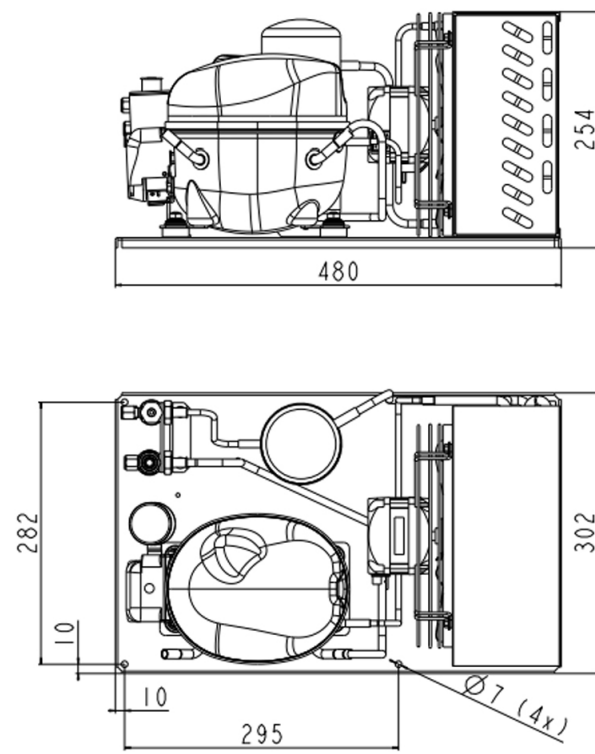
Test Condition: Subcooling 3 K, Return Gas 32 °C.

## ENVELOPE



■ OPERATING CONDITION

## EXTERNAL DIMENSIONS



## WIRING DIAGRAM

