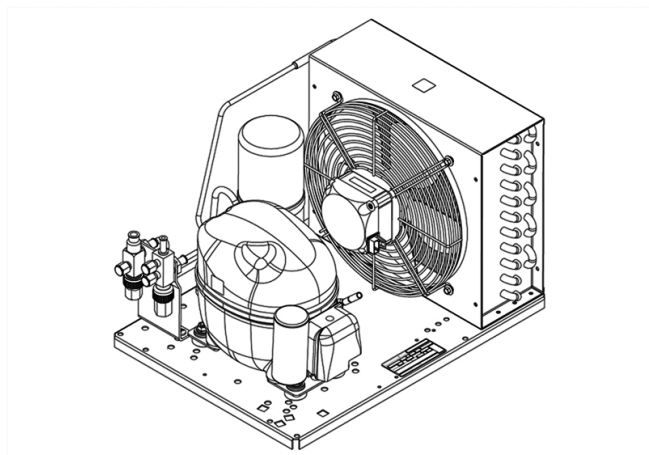


UNEK2150GK



**ENGINEERING CODE**  
559AA8208AA



**POWER SUPPLY**  
220-240 V 50 Hz



**MOTOR TYPE**  
CSIR



**REFRIGERANT**  
R-404A



**APPLICATION**  
LBP



**STANDARD**  
ASHRAE



**COOLING CAPACITY**  
626 W



**EFFICIENCY**  
1.18 W/W

CE

✓ ECODSIGN COMPLIANT

DATA

GENERAL DATA

**Model** UNEK2150GK

ACCESSORIES

**Discharge valve** FLARE 1/4" 2110085

**Suction valve** FLARE 3/8" 2110059

CONDENSING COMPONENTS

**Compressor** NEK2150GK LBP

**Condenser** 3R11T 2451206

**Refrigerant** R-404A

**Expansion Device** C-V

**Fan Blade Diameter** 254

**Fankit** 16W 254/28/5B 1996579

## MECHANICAL DATA

Air Flow	595 m <sup>3</sup> /h
Height	296 mm
Receiver	1.1 L
Shaft Power	16
Weight	22 Kg
Width	340 mm
Length	465 mm

## PERFORMANCE

### TESTED CONDITIONS

Tested Refrigerant	R-404A
Tested Application	LBP
Tested Standard	ASHRAE

### RATED POINTS

Ambient Temperature °C	Evaporating Temperature °C	Cooling Capacity W	Efficiency W/W	Consumo de Potencia W
32	-23.3	626	1.18	531

Test Condition: Subcooling 3 K, Return Gas 32 °C.

### PERFORMANCE CURVE

Ambient Temperature 25°C

Evaporating Temperature °C	Cooling Capacity W	Efficiency W/W	Consumo de Potencia W
-40	303	0.86	351
-30	526	1.19	444
-25	647	1.30	497
-20	782	1.41	554
-15	936	1.52	617
-10	1115	1.62	687

Test Condition: Subcooling 3 K, Return Gas 32 °C.

## PERFORMANCE CURVE

Ambient Temperature 32°C

Evaporating Temperature °C	Cooling Capacity W	Efficiency W/W	Consumo de Potencia W
-40	279	0.77	363
-30	478	1.04	457
-25	586	1.15	511
-20	709	1.24	571
-15	850	1.34	636
-10	1016	1.43	708

Test Condition: Subcooling 3 K, Return Gas 32 °C.

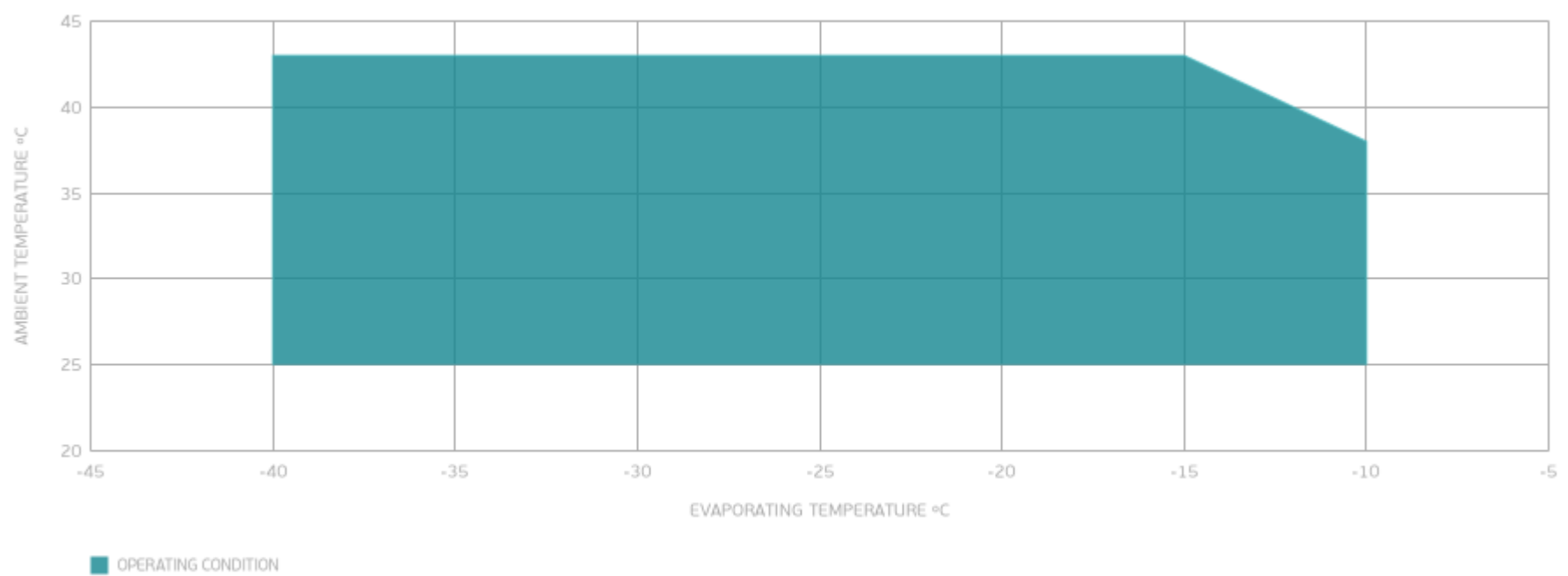
## PERFORMANCE CURVE

Ambient Temperature 43°C

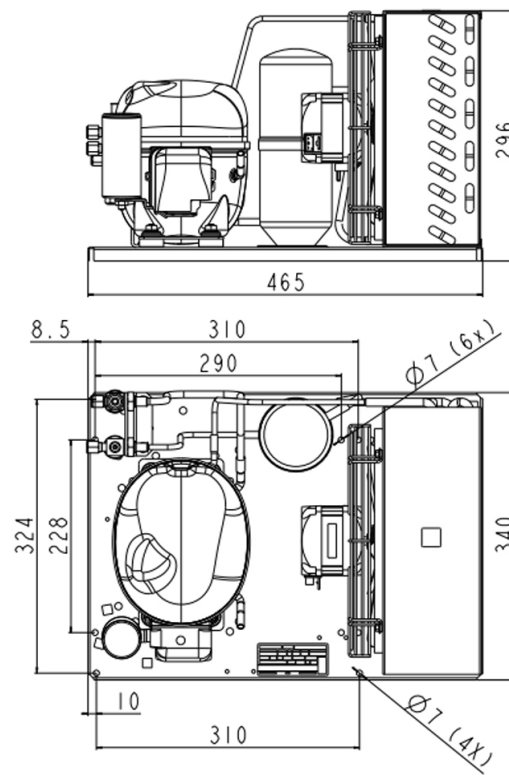
Evaporating Temperature °C	Cooling Capacity W	Efficiency W/W	Consumo de Potencia W
-40	236	0.61	386
-30	406	0.84	484
-25	499	0.92	542
-20	606	1.00	606
-15	732	1.08	677

Test Condition: Subcooling 3 K, Return Gas 32 °C.

## ENVELOPE



## EXTERNAL DIMENSIONS



## WIRING DIAGRAM

