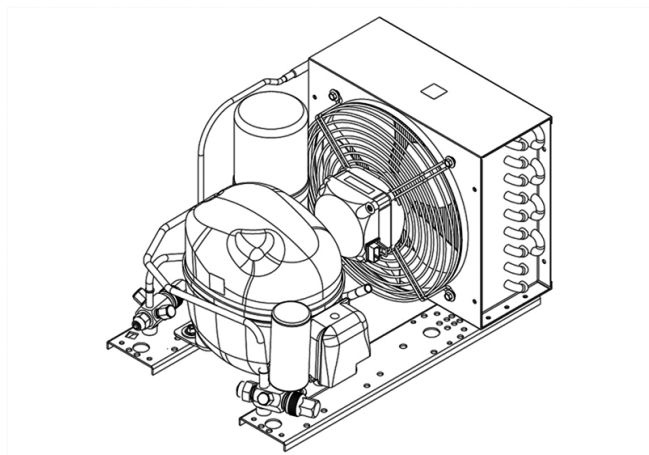


UNEK6170Z



CE



ENGINEERING CODE
573DA5212AA

POWER SUPPLY
220-240 V 50 Hz

MOTOR TYPE
CSIR

REFRIGERANT
R-134a

APPLICATION
HBP

STANDARD
ASHRAE

COOLING CAPACITY
837 W

EFFICIENCY
2.43 W/W

DATA

GENERAL DATA

Model	UNEK6170Z
-------	-----------

ACCESSORIES

Discharge valve	FLARE 1/4"	2110025
Suction valve	FLARE 3/8"	2110024

CONDENSING COMPONENTS

Compressor	NEK6170Z	M/HBP
Condenser	3R9T	2451205
Refrigerant	R-134a	
Expansion Device	C-V	
Fan Blade Diameter	230	
Fankit	10W 230/31/5B	1996580

MECHANICAL DATA

Air Flow	420 m ³ /h
Height	254 mm
Receiver	1.1 L
Shaft Power	10
Weight	17 Kg
Width	300 mm
Length	435 mm

PERFORMANCE

TESTED CONDITIONS

Tested Refrigerant	R-134a
Tested Application	HBP
Tested Standard	ASHRAE

RATED POINTS

Ambient Temperature °C	Evaporating Temperature °C	Cooling Capacity W	Efficiency W/W	Consumo de Potencia W
32	7.2	837	2.43	345

Test Condition: Subcooling 3 K, Return Gas 32 °C.

PERFORMANCE CURVE

Ambient Temperature 25°C

Evaporating Temperature °C	Cooling Capacity W	Efficiency W/W	Consumo de Potencia W
-15	392	1.72	228
-5	599	2.21	271
0	722	2.44	296
5	857	2.66	322
10	1005	2.87	350

Test Condition: Subcooling 3 K, Return Gas 32 °C.

PERFORMANCE CURVE

Ambient Temperature 32°C

Evaporating Temperature °C	Cooling Capacity W	Efficiency W/W	Consumo de Potencia W
-15	357	1.52	235
-5	544	1.95	279
0	656	2.15	305
5	779	2.35	332
10	914	2.53	361

Test Condition: Subcooling 3 K, Return Gas 32 °C.

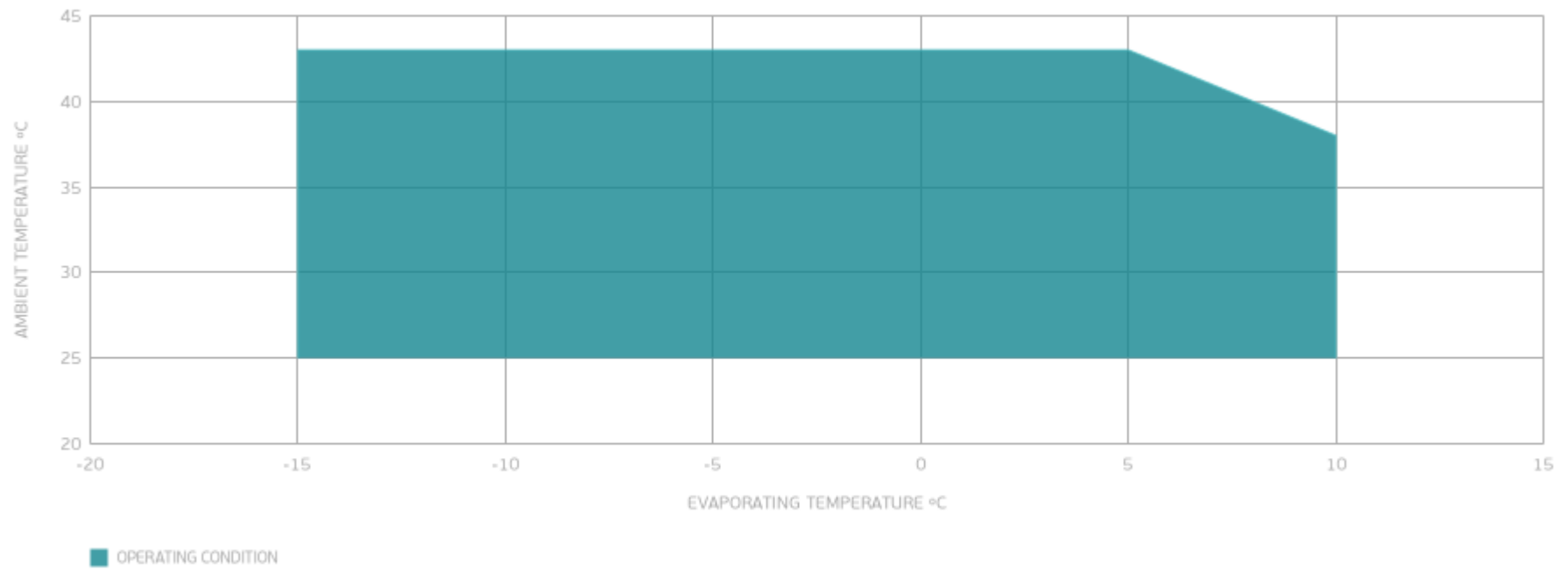
PERFORMANCE CURVE

Ambient Temperature 43°C

Evaporating Temperature °C	Cooling Capacity W	Efficiency W/W	Consumo de Potencia W
-15	280	1.13	247
-5	440	1.46	300
0	536	1.62	331
5	642	1.76	364

Test Condition: Subcooling 3 K, Return Gas 32 °C.

ENVELOPE



EXTERNAL DIMENSIONS

