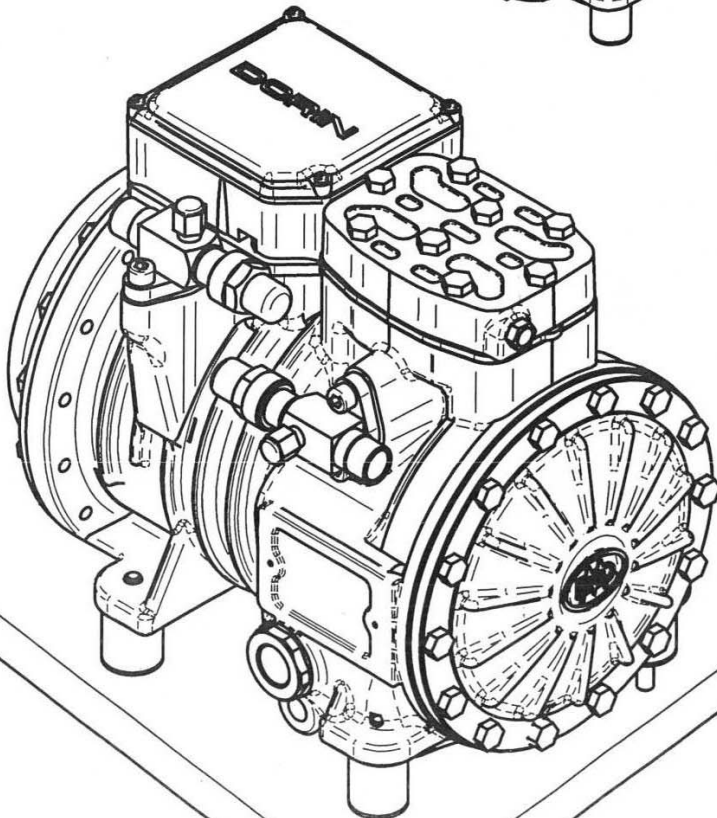
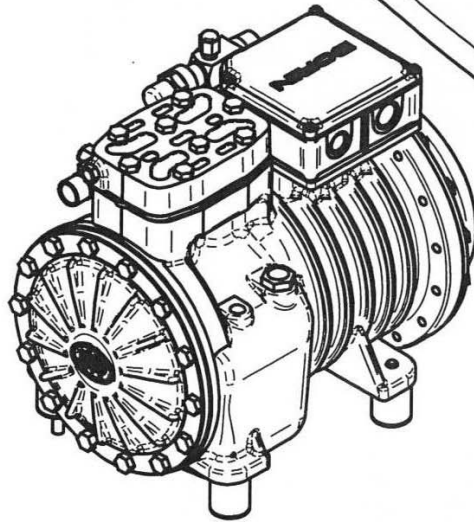


DORINI

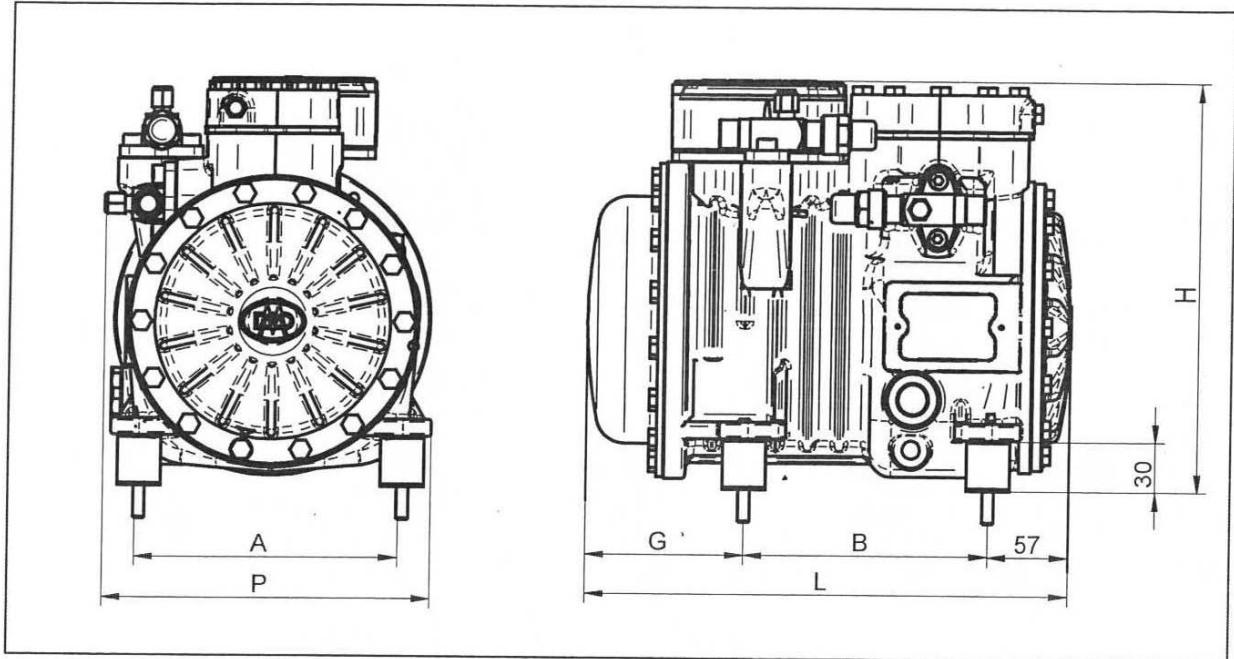


H1

RICAMBI
Spare Parts



DORIN



Modello	Codice	n° Cil	Al.	Corsa	m ³ /h	L	P	H	A	B	∅
H40CC H50CS	H1U0050 H1V0050	2	42	12 16	2,89 3,86	325	230	276	183	170	30
H75CC H75CS	H1V0075 H1W0075	2	42	16 22	3,86 5,30	=	=	=	=	=	=
H100CC H100CS	H1W0100 H1A0100	2	42	22 28	5,30 6,75	=	=	=	=	=	=
H150CC H150CS	H1A0150 H1B0150	2	42	28 32	6,75 7,71	=	=	=	=	=	=
H180CC H180CS	H1B0180 H1D0180	2	42 44	32 32	7,71 8,47	=	=	=	=	=	=
H200CC H200CS	H1D0300 H1F0180	2	44 42	32 41	8,47 9,88	340 325	=	=	=	=	=
H220CC H220CS	H1F0300 H1H0300	2	42 44	41 41	9,88 10,85	340	=	=	=	=	=
H250CC H250CS	H1H0350 H1M0300	2	44	41 46	10,85 12,17	355 340	=	=	=	=	=
H280CC	H1M0350	2	44	46	12,17	355	=	=	=	=	=

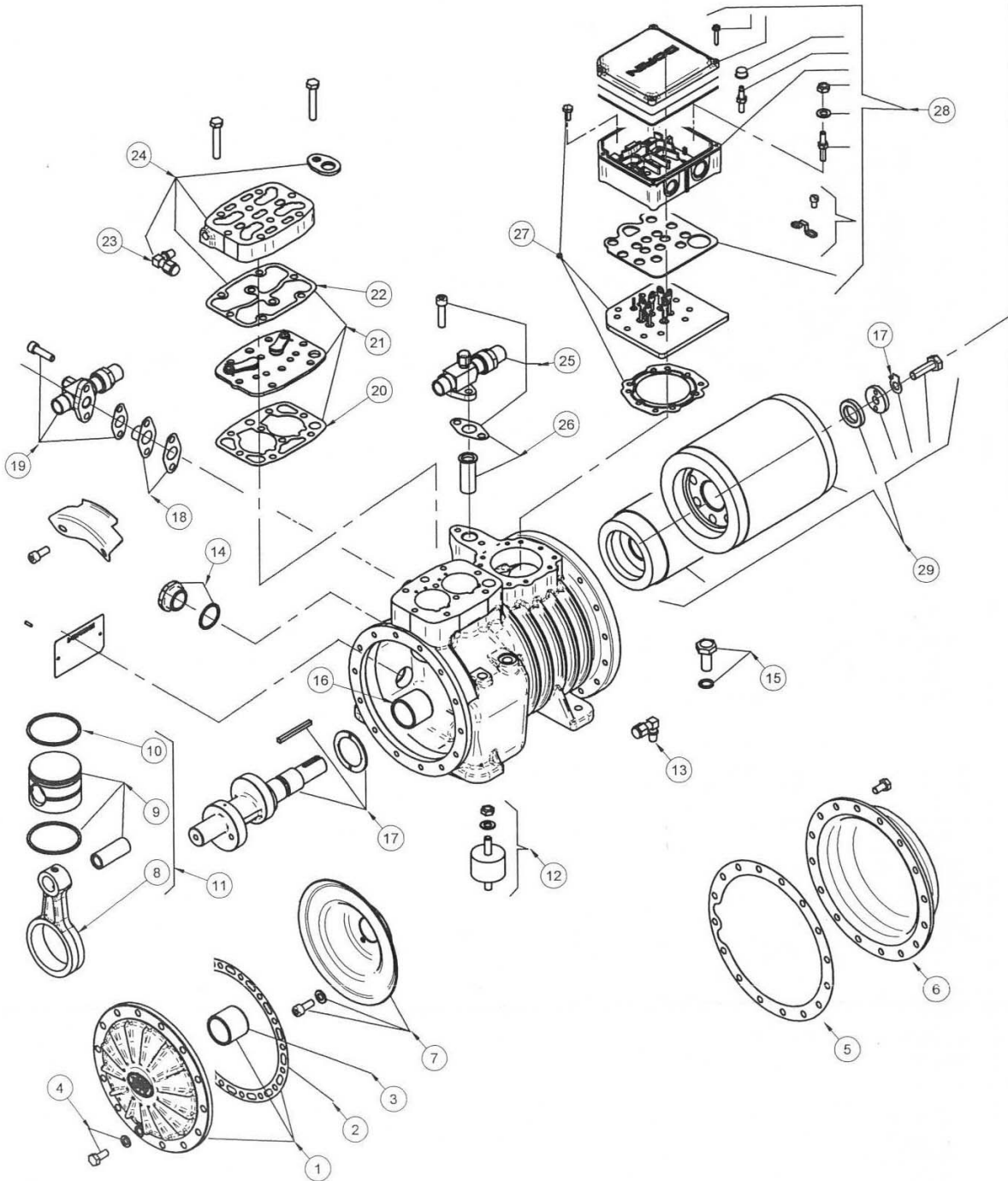
DORIN



M\Compressore M\Compressor H1

n°
ESPH1COMM

Rev.





M\Compressore
M\Compressor
H1

DORIN

Rif.	Quantità - Quantity															Codice Code	Descrizione	Description			
	H40CC	H50CS	H75CC	H75CS	H100CC	H100CS	H150CC	H150CS	H180CC	H180CS	H200CC	H200CS	H220CC	H220CS	H250CC				H250CS	H280CC	
1	1	1	1	1	1	1	1	1	1	1	1	1	1	1	1	1	1	1	1CCB014	Coperchio cil.	Cylinder cover.
2	1	1	1	1	1	1	1	1	1	1	1	1	1	1	1	1	1	1	1CGB011	Guarn.cop.cil..	Cyli.cover.gasket
3	1	1	1	1	1	1	1	1	1	1	1	1	1	1	1	1	1	1	1CBC101	Bronz.Coperchio	Cover bearing
4	1	1	1	1	1	1	1	1	1	1	1	1	1	1	1	1	1	1	1CKP006	Tappo Sca.Olio	Screw for oil serv.
5	1	1	1	1	1	1	1	1	1	1	1	1	1	1	1	1	1	1	1CGA191	Guarn.Cop.Mot.	Motor cover gasket
6	1	1	1	1	1	1	1	1	1		1								1CKM023	Coperchio Motore	Motor Cover
6										1				1	1				1CKM025	Coperchio Motore	Motor Cover
6										1		1	1	1					1CKM024	Coperchio Motore	Motor Cover
7	1	1	1	1	1	1	1	1	1	1							1		1MKD026	Disco sbattiolio	Oil centrif.disk
7											1	1	1	1	1	1			1MKD027	Disco sbattiolio	Oil centrif.disk
8	2	2	2	2	2														1MFD361	Biella	Connecting rod
8						2	2	2	2	2	2	2	2	2	2	2	2	2	1MFD351	Biella	Connecting rod
9	2	2	2	2	2	2	2	2	2		2	2							1MKP025	Pistone	Piston
9										2	2		2	2	2	2			1MKP026	Pistone	Piston
10	2	2	2	2	2	2	2	2	2		2	2							1MDQ241	Segmenti	Rings
10										2	2		2	2	2	2			1MDQ221	Segmenti	Rings
11	2	2	2	2	2														1MCD310	Kit Biella-Pist.	Conn.rod.pist.com.
11						2	2	2	2		2	2							1MCD210	Kit Biella-Pist.	Conn.rod.pist.com.
11										2	2		2	2	2	2			1MCD211	Kit Biella-Pist.	Conn.rod.pist.com.
12	1	1	1	1	1	1	1	1	1	1	1	1	1	1	1	1	1	1	1CC5024	Kit Sospen.Compl.	Vibrat.camper kit com.
13	1	1	1	1	1	1	1	1	1	1	1	1	1	1	1	1	1	1	1CCE011	Presa Manometrica	Pressure Connection
14	1	1	1	1	1	1	1	1	1	1	1	1	1	1	1	1	1	1	1CCQ501	Spia Olio Compl.	Oil sight glass
15	1	1	1	1	1	1	1	1	1	1	1	1	1	1	1	1	1	1	1CKP005	Tappo carica olio	Screw for oil service
16	1	1	1	1	1	1	1	1	1	1	1	1	1	1	1	1	1	1	1CBA131	Bronzina centrale	Main Bearing
17	1																		1MKA084	Albero Completo	Complete shaft
17		1	1																1MKA085	Albero Completo	Complete shaft
17				1															1MKA086	Albero Completo	Complete shaft
17					1														1MKA087	Albero Completo	Complete shaft
17						1													1MKA088	Albero Completo	Complete shaft
17							1												1MKA089	Albero Completo	Complete shaft
17								1											1MKA090	Albero Completo	Complete shaft
17									1	1									1MKA091	Albero Completo	Complete shaft
17											1								1MKA092	Albero Completo	Complete shaft
17												1							1MKA093	Albero Completo	Complete shaft
17													1	1					1MKA094	Albero Completo	Complete shaft
17															1				1MKA095	Albero Completo	Complete shaft
17																1			1MKA096	Albero Completo	Complete shaft
17																	1		1MKA097	Albero Completo	Complete shaft



M\Compressore
M\Compressor
H1

DORIN

Rif.	Quantità - Quantity											Codice Code	Descrizione	Description		
	H40CC	H50CS	H75CC	H75CS	H100CC	H100CS	H150CC	H150CS	H180CC	H180CS	H200CC				H200CS	H220CC

18	1	1	1	1	1	1	1	1	1	1	1	1	1				1CKS030	Trafilatore Mand.	Pulsation red.flange	
18														1	1	1	1	1CKS040	Trafilatore Mand.	Pulsation red.flange
19	1	1	1	1	1	1	1	1	1	1	1						1RKC025	Rubinetto di Mand.	Discharge ser.valve	
19												1	1	1	1	1	1	1RKC026	Rubinetto di Mand.	Discharge ser.valve
20	1	1	1	1	1	1	1	1	1			1	1				1PGA304	Guarniz.Pia.val.-carter	Valve plate carter-gasket	
20									1	1			1	1	1	1	1	1PGA305	Guarniz.Pia.val.-carter	Valve plate carter-gasket
21	1	1	1	1	1	1	1	1	1			1	1				1PCB097	Piastra Valvole compl.	Complete valve plate	
21									1	1			1	1	1	1	1	1PCB098	Piastra Valvole compl.	Complete valve plate
22	1	1	1	1	1	1	1	1	1	1	1	1	1	1	1	1	1	1PGB411	Guarniz.Pia.val.-testa	Valve plate air head-gasket
23	1	1	1	1	1	1	1	1	1	1	1	1	1	1	1	1	1	1CCE011	Presa Manometrica	Pressure connection
24	1	1	1	1	1	1	1	1	1	1	1	1	1	1	1	1	1	1CCS034	Testa aria completa	Air cooled head
25	1	1	1	1	1	1	1	1	1	1	1						1RKA024	Rubinetto Aspiraz.	Suction service valve	
25												1	1	1	1	1	1	1RKA020	Rubinetto Aspiraz.	Suction service valve
26	1	1	1	1	1	1	1	1	1	1	1	1	1	1	1	1	1	1CKF021	Filtro Aspirazione	Suction filter and gasket
27	1	1	1	1	1	1	1	1	1	1	1	1	1	1	1	1	1	1RCM030	Piastra att.eletr.compl.	Electr. Terminals plate
28	1	1	1	1	1	1	1	1	1	1	1	1	1	1	1	1	1	1RCQ350	Scatola att.eletr.compl.	Compl.Electr. Term.box
29	1	1																1RKK001	Roto-statore 220/380/3/50	Stator-rotor 220/380/3/50
29			1	1														1RKK010	Roto-statore 220/380/3/50	Stator-rotor 220/380/3/50
29					1													1RKK006	Roto-statore 220/380/3/50	Stator-rotor 220/380/3/50
29						1												1RKK002	Roto-statore 220/380/3/50	Stator-rotor 220/380/3/50
29							1											1RKK003	Roto-statore 220/380/3/50	Stator-rotor 220/380/3/50
29								1										1RKK004	Roto-statore 220/380/3/50	Stator-rotor 220/380/3/50
29									1	1								1RKK005	Roto-statore 220/380/3/50	Stator-rotor 220/380/3/50
29											1	1	1		1			1RKK007	Roto-statore 220/380/3/50	Stator-rotor 220/380/3/50
29												1						1RKK008	Roto-statore 220/380/3/50	Stator-rotor 220/380/3/50
29															1	1		1RKK009	Roto-statore 220/380/3/50	Stator-rotor 220/380/3/50
29	1	1																1RKK075	Roto-statore 220/380/3/60	Stator-rotor 220/380/3/60
29			1	1														1RKK076	Roto-statore 220/380/3/60	Stator-rotor 220/380/3/60
29					1													1RKK077	Roto-statore 220/380/3/60	Stator-rotor 220/380/3/60
29						1												1RKK078	Roto-statore 220/380/3/60	Stator-rotor 220/380/3/60
29							1											1RKK079	Roto-statore 220/380/3/60	Stator-rotor 220/380/3/60
29								1	1									1RKK081	Roto-statore 220/380/3/60	Stator-rotor 220/380/3/60
29										1	1	1		1				1RKK083	Roto-statore 220/380/3/60	Stator-rotor 220/380/3/60
29											1							1RKK084	Roto-statore 220/380/3/60	Stator-rotor 220/380/3/60
29															1	1		1RKK085	Roto-statore 220/380/3/60	Stator-rotor 220/380/3/60



M\Compressore
M\Compressor
H1

DORIN

Quantità - Quantity											Codice Code	Descrizione	Description			
H40CC	H50CS	H75CC	H75CS	H100CC	H100CS	H150CC	H150CS	H180CC	H180CS	H200CC				H200CS	H220CC	H220CS

Accessori - Accessories

1	1	1	1	1	1	1	1	1	1	1	1	1	1	1	1	1	1	1	1ACS780	Ventilatore Ausil.	Auxiliary head fan
1	1	1	1	1	1	1	1	1			1	1							1CCM125	Serie compl.Guar.	Complete gasket set
								1	1			1	1	1	1				1CCM126	Serie compl.Guar.	Complete gasket set
1	1	1	1	1	1	1	1	1	1	1	1	1	1	1	1	1	1	1	1CCT024	Testa raffred.H20	Water cooled head
1	1	1	1	1	1	1	1	1	1	1	1	1	1	1	1	1	1	1	2EG2020	Resistenza Carter 220 Volt	Crankcase heater 220 Volt
1	1	1	1	1	1	1	1	1	1	1	1	1	1	1	1	1	1	1	2EG1050	Resistenza Carter 110 Volt	Crankcase heater 110 Volt
1	1	1	1	1	1	1	1	1	1	1	1	1	1	1	1	1	1	1	2EG1070	Resistenza Carter 48 Volt	Crankcase heater 48 Volt
1	1	1	1	1	1	1	1	1	1	1	1	1	1	1	1	1	1	1	2EG1080	Resistenza Carter 24 Volt	Crankcase heater 24 Volt

Note - Notes

00	Emesso	4-11-04		
----	--------	---------	--	--

Var. Fin.	Descrizione	Date	Dis.	Appr.
-----------	-------------	------	------	-------

--	--	--	--	--

Var. Fin.	Descrizione	Date	Dis.	Appr.
-----------	-------------	------	------	-------



Il presente documento è di proprietà della OFF.MARIO DORIN S.p.a
a termine di legge ogni diritto è riservato

Disegno
realizzato con
Solid Edge

