



KIRBY® COMMANDER BLUE

Low and High Ambient
Condensing Units

Tough and compact to handle
harsh ambient conditions



Exclusively distributed by

KIRBY
A BEIJER REF Company

KIRBY COMMANDER BLUE

Low Ambient Condensing Units

Introduction

With an impressive capacity, the Kirby® Commander Blue condensing unit offers a tough, compact design that will handle tough conditions. It is ideal for use in dairy farms, cool rooms, food service and beverage retail installations.

The Kirby® Commander Blue range has been built on the reliability and experience found in the Kirby condensing units that have served the industry for many years. The new Commander Blue range offers the same performance you have come to know and trust and in addition features extra components as standard to help you get your job done quicker and easier.

Ultimate reliability comes standard when you choose Kirby™ – trusted for years to handle the extremes of our climate.

Features & Benefits

The Kirby® Commander Blue Condensing Unit range offers:

- Large condensers rated at 38°C on R404A and 43°C for R134a
- Condenser fans are single phase 240v high efficiency, low noise external rotor motor(s)
- Internationally proven Maneurop compressors
- Compressors are supplied with oil sight glass, oil equalisation and crankcase heater as standard
- All models are supplied with a Danfoss universal dual pressure control with flexible hose lines
- All models are fully pre-wired for quick installation (DOL)
- All models are fitted with a condenser fan speed control
- Pressure vessels comply with internationally recognised standards
- Powder coated exterior for long wearing durability
- All models come with a liquid line drier and moisture indicator
- All low temperature units are fitted with a suction accumulator
- All models come with a high efficiency internal float oil separator



Kirby® Commander Blue Condensing Units – Nomenclature

PC	H	168	MH	A1	2
Nominal Capacity 168			Power Supply & Release Number Odd Single Phase Supply Even Three Phase Supply		
Compressor Type H Hermetic Reciprocating S Semi-Hermetic Reciprocating			Condenser Type & Variation A Air Cooled		
Unit Type PC Kirby® Commander Blue			Usage Application M/H Medium/High Temperature		

COMMANDER BLUE LOW AMBIENT CONDENSING UNITS

R404A Performance Data

PRODUCT NUMBER	DISPLACEMENT (m ³ /hr)	AMBIENT TEMP. (°C)	CAPACITY WATTS @ SST (°C)												RECEIVER CAPACITY (kg)
			LT						MT			HT			
			-45	-40	-35	-30	-25	-20	-15	-10	-5	0	5	10	
DANFOSS MANEUROP HERMETIC RECIPROCATING COMPRESSORS (MTZ)															
PCH046MHA1-2	8.36	32	-	-	-	-	1,960	2,510	3,150	3,850	4,610	5,410	6,220	7,030	6.7
		38	-	-	-	-	1,670	2,190	2,780	3,430	4,120	4,830	5,530	-	
PCH051MHA1-2	9.37	32	-	-	-	-	2,060	2,690	3,410	4,220	5,080	5,950	6,820	7,630	6.7
		38	-	-	-	-	1,720	2,330	3,020	3,740	4,500	5,260	6,020	-	
PCH059MHA1-2	10.52	32	-	-	-	-	2,610	3,300	4,080	4,960	5,910	6,920	7,940	8,950	6.7
		38	-	-	-	-	2,270	2,900	3,630	4,430	5,280	6,160	7,030	-	
PCH064MHA1-2	11.81	32	-	-	-	-	2,700	3,510	4,430	5,410	6,440	7,480	8,490	9,440	6.7
		38	-	-	-	-	2,340	3,120	3,960	4,850	5,740	6,630	7,500	-	
PCH072MHA1-2	13.26	32	-	-	-	-	2,890	3,790	4,820	5,960	7,180	8,450	9,730	10,980	8.9
		38	-	-	-	-	2,310	3,160	4,140	5,230	6,360	7,500	8,590	-	
PCH087MHA1-2	14.9	32	-	-	-	-	3,620	4,730	5,960	7,300	8,690	10,110	11,510	12,850	8.9
		38	-	-	-	-	2,960	4,030	5,180	6,370	7,590	8,810	10,000	-	
PCH096MHA1-2	16.73	32	-	-	-	-	4,190	5,320	6,630	8,070	9,630	11,250	12,880	14,450	8.9
		38	-	-	-	-	3,660	4,700	5,890	7,200	8,580	9,980	11,360	-	
PCH112MHA1-2	18.74	32	-	-	-	-	5,180	6,450	7,910	9,510	11,230	13,020	14,840	16,610	8.9
		38	-	-	-	-	4,480	5,670	7,010	8,470	10,000	11,570	13,110	-	
PCH131MHA1-2	21.04	32	-	-	-	-	6,090	7,480	9,150	11,040	13,120	15,340	17,640	19,910	11.9
		38	-	-	-	-	5,210	6,540	8,090	9,820	11,690	13,670	15,710	-	
PCH144MHA1-2	23.63	32	-	-	-	-	6,550	8,160	10,040	12,140	14,390	16,700	19,000	21,210	11.9
		38	-	-	-	-	5,590	7,130	8,880	10,790	12,800	14,870	16,920	-	
PCH168MHA1-2	29.8	32	-	-	-	-	6,910	8,930	11,280	13,910	16,770	19,740	22,740	25,620	11.9
		38	-	-	-	-	6,000	7,870	10,040	12,450	15,040	17,720	20,360	-	
PCH209MHA1-2	37.49	32	-	-	-	-	9,110	11,560	14,390	17,520	20,860	24,310	27,740	31,050	11.9
		38	-	-	-	-	7,920	10,260	12,880	15,700	18,650	21,680	24,680	-	
PCH246MHA1-2	42.09	32	-	-	-	-	10,830	13,680	16,960	20,620	24,570	28,700	32,880	36,940	11.9
		38	-	-	-	-	9,350	12,120	15,200	18,530	22,060	25,750	29,470	-	
PCH271MHA1-2	47.25	32	-	-	-	-	12,150	15,290	18,890	22,860	27,080	31,410	35,720	39,880	11.9
		38	-	-	-	-	10,680	13,610	16,950	20,590	24,440	28,350	32,140	-	

COMMANDER BLUE LOW AMBIENT CONDENSING UNITS

R134a Performance Data

PRODUCT NUMBER	DISPLACEMENT (m ³ /hr)	AMBIENT TEMP. (°C)	CAPACITY WATTS @ SST (°C)												RECEIVER CAPACITY (kg)
			LT						MT			HT			
			-45	-40	-35	-30	-25	-20	-15	-10	-5	0	5	10	
DANFOSS MANEUROP HERMETIC RECIPROCATING COMPRESSORS (MTZ)															
PCH046MHA1-2	8.36	35	-	-	-	-	-	1,150	1,560	2,080	2,700	3,420	4,230	5,120	7.8
		43	-	-	-	-	-	980	1,360	1,820	2,380	3,020	3,740	4,540	
PCH051MHA1-2	9.37	35	-	-	-	-	-	1,300	1,810	2,410	3,120	3,930	4,830	5,800	7.8
		43	-	-	-	-	-	1,080	1,550	2,100	2,740	3,460	4,260	-	
PCH059MHA1-2	10.52	35	-	-	-	-	-	1,900	2,500	3,200	3,990	4,880	5,850	6,890	7.8
		43	-	-	-	-	-	1,650	2,210	2,850	3,570	4,370	5,240	6,180	
PCH064MHA1-2	11.81	35	-	-	-	-	-	2,280	2,910	3,610	4,390	5,250	6,160	7,130	7.8
		43	-	-	-	-	-	2,030	2,620	3,270	3,990	4,760	5,590	-	
PCH072MHA1-2	13.26	35	-	-	-	-	-	1,920	2,680	3,550	4,530	5,610	6,770	8,020	10.4
		43	-	-	-	-	-	1,420	2,130	2,950	3,870	4,860	5,910	7,040	
PCH087MHA1-2	14.9	35	-	-	-	-	-	2,280	3,210	4,260	5,420	6,670	8,000	9,430	10.4
		43	-	-	-	-	-	1,820	2,670	3,640	4,700	5,830	7,030	8,300	
PCH096MHA1-2	16.73	35	-	-	-	-	-	2,730	3,630	4,710	5,960	7,390	8,980	10,720	10.4
		43	-	-	-	-	-	2,300	3,120	4,080	5,210	6,480	7,890	9,450	
PCH112MHA1-2	18.74	35	-	-	-	-	-	3,550	4,490	5,640	6,990	8,530	10,250	12,130	10.4
		43	-	-	-	-	-	3,060	3,900	4,920	6,120	7,510	9,050	10,740	
PCH131MHA1-2	21.04	35	-	-	-	-	-	3,890	5,100	6,560	8,250	10,180	12,330	14,710	13.8
		43	-	-	-	-	-	3,080	4,210	5,560	7,130	8,910	10,890	13,060	
PCH144MHA1-2	23.63	35	-	-	-	-	-	4,550	5,860	7,440	9,280	11,360	13,680	16,230	13.8
		43	-	-	-	-	-	3,730	4,950	6,400	8,100	10,010	12,140	-	
PCH168MHA1-2	29.8	35	-	-	-	-	-	4,320	5,960	7,900	10,160	12,720	15,540	18,600	13.8
		43	-	-	-	-	-	3,570	5,110	6,900	8,970	11,290	13,860	16,650	
PCH209MHA1-2	37.49	35	-	-	-	-	-	5,460	7,480	9,830	12,510	15,500	18,790	22,360	13.8
		43	-	-	-	-	-	4,410	6,300	8,480	10,950	13,690	16,690	19,960	
PCH246MHA1-2	42.09	35	-	-	-	-	-	7,370	9,800	12,630	15,850	19,430	23,350	27,590	13.8
		43	-	-	-	-	-	6,250	8,530	11,140	14,090	17,370	20,940	24,790	
PCH271MHA1-2	47.25	35	-	-	-	-	-	8,150	10,790	13,890	17,390	21,260	25,500	30,100	13.8
		43	-	-	-	-	-	7,020	9,480	12,320	15,500	18,990	22,790	26,930	

COMMANDER BLUE LOW AMBIENT CONDENSING UNITS

Technical Data

PRODUCT NUMBER	COMPRESSOR MODEL	CONDENSER FAN DATA			ELECTRICAL DATA				CONNECTIONS		SOUND POWER db(A)
		NO. OF FANS (#)	DIAMETER (mm)	AIRFLOW (l/s)	MCC (A/Ph)	LRA (A/Ph)	RLA (A/Ph)	INPUT (w)	LIQUID (mm)	SUCTION (mm)	
DANFOSS MANEUROP HERMETIC RECIPROCATING COMPRESSORS (MTZ)											
PCH046MHA1-2	MTZ 28-4	1	350	670	8.1	23.6	5.1	2,700	15.88	12.70	74.0
PCH051MHA1-2	MTZ 32-4	1	350	670	8.6	25.6	5.6	3,130	19.05	12.70	74.0
PCH059MHA1-2	MTZ 36-4	1	350	580	9.6	30.6	6.4	3,520	19.05	12.70	74.0
PCH064MHA1-2	MTZ 40-4	1	350	580	10.6	38.6	7.1	4,000	19.05	12.70	74.0
PCH072MHA1-2	MTZ 44-4	1	450	1,200	11.1	50.1	8.4	3,970	34.92	12.70	79.5
PCH087MHA1-2	MTZ 50-4	1	450	1,180	13.1	50.1	9.4	4,360	34.92	12.70	79.5
PCH096MHA1-2	MTZ 56-4	1	450	1,120	13.6	65.6	10.8	4,890	34.92	12.70	80.0
PCH112MHA1-2	MTZ 64-4	2	350	1,010	15.2	65.2	10.0	5,530	34.92	15.88	77.5
PCH131MHA1-2	MTZ 73-4	2	450	2,130	20.1	83.1	13.1	6,680	34.92	15.88	81.0
PCH144MHA1-2	MTZ 81-4	2	450	2,130	22.1	83.1	14.4	7,640	34.92	15.88	81.0
PCH168MHA1-2	MTZ 100-4	2	450	2,190	25.1	81.6	17.7	8,680	34.92	15.88	83.5
PCH209MHA1-2	MTZ 125-4	2	500	3,350	31.0	109.0	21.4	11,940	34.92	15.88	86.5
PCH246MHA1-2	MTZ 144-4	2	500	2,920	34.0	119.0	26.8	13,230	34.92	15.88	86.5
PCH271MHA1-2	MTZ 160-4	2	500	2,770	40.0	134.0	26.2	12,670	34.92	15.88	86.5

COMMANDER BLUE LOW AMBIENT CONDENSING UNITS

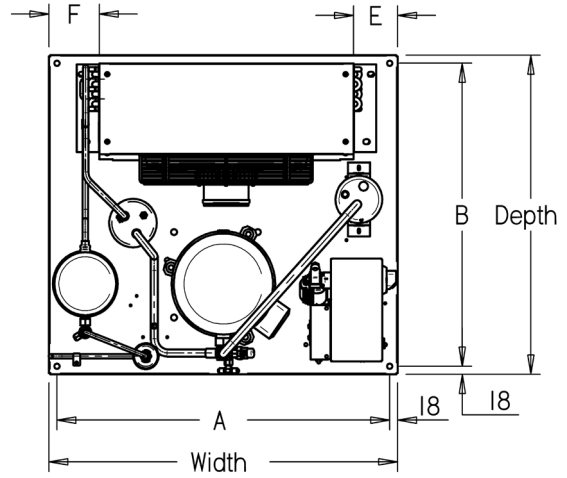
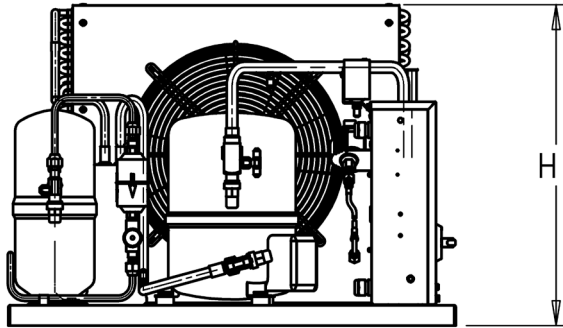
Physical Data

PRODUCT NUMBER	DIMENSIONS (mm)									WEIGHT (kg)	
	HEIGHT	WIDTH	DEPTH	A	B	C	E	F	G	NET	GROSS
DANFOSS MANEUROP HERMETIC RECIPROCATING COMPRESSORS (MTZ)											
PCH046MHA1-2	555	790	710	754	674	-	104	108	35	60	70
PCH051MHA1-2	555	790	710	754	674	-	104	108	35	61	71
PCH059MHA1-2	555	790	710	754	674	-	104	108	35	72	82
PCH064MHA1-2	555	790	710	754	674	-	104	108	35	73	73
PCH072MHA1-2	655	980	770	944	734	-	119	119	35	94	107
PCH087MHA1-2	655	980	770	944	734	-	119	119	35	96	109
PCH096MHA1-2	655	980	770	944	734	-	119	119	35	105	118
PCH112MHA1-2	655	980	770	944	734	-	25	53	35	113	126
PCH131MHA1-2	670	1,270	870	1,234	834	417	10	60	50	117	135
PCH144MHA1-2	670	1,270	870	1,234	834	417	10	60	50	117	135
PCH168MHA1-2	825	1,270	870	1,234	834	417	10	60	50	151	169
PCH209MHA1-2	925	1,270	870	1,234	834	417	10	60	50	164	182
PCH246MHA1-2	925	1,270	870	1,234	834	417	10	60	50	192	192
PCH271MHA1-2	925	1,270	870	1,234	834	417	10	60	50	199	217

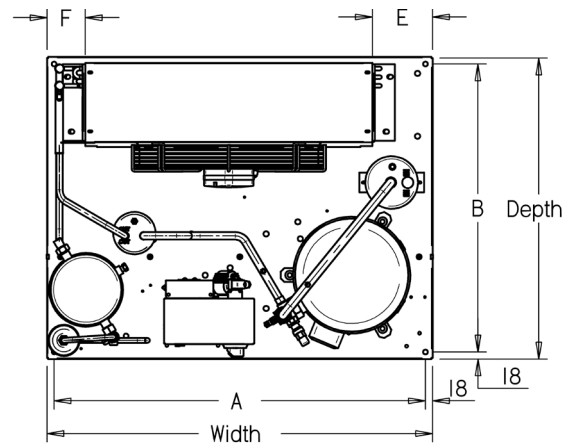
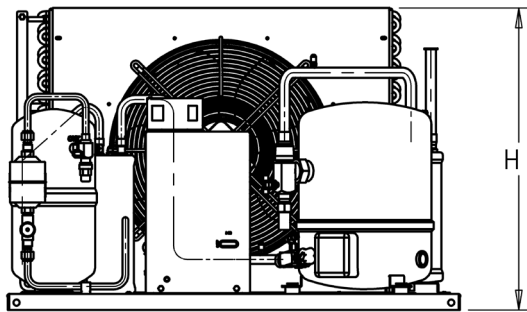
COMMANDER BLUE LOW AMBIENT CONDENSING UNITS

Physical Data

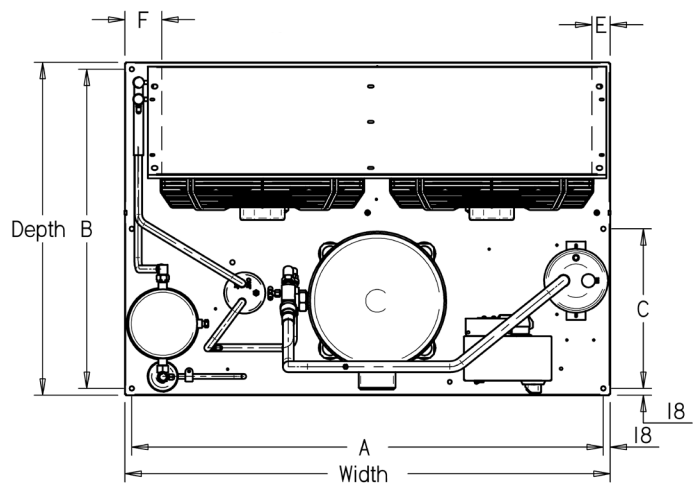
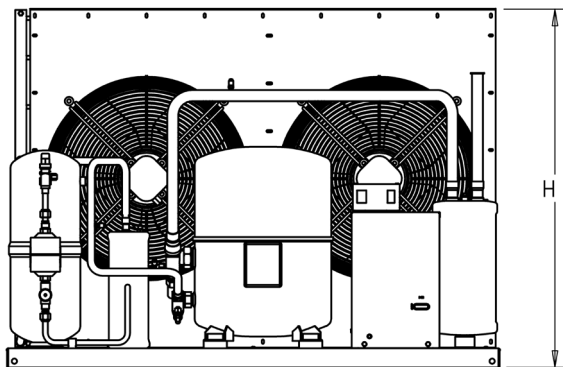
Base Type B (front and top view)



Base Type C (front and top view)



Base Type D (front and top view)



KIRBY COMMANDER

High Ambient Condensing Units

Introduction

The Kirby® Commander Blue condensing unit offers a tough, compact design that will handle harsh ambient conditions. It is ideal for cool rooms, food service, or food and beverage retail installations.

The Kirby® Commander Blue range has been built on the reliability and experience of the Aussie Blue Star condensing unit series that have served the industry for many years. The Commander Blue range offers the same performance you have come to know and trust and in addition, includes standard features to help you get your job done quicker and easier. A reliable performer, the Kirby Commander Blue operates in ambients to 46°C and beyond.

Ultimate reliability comes standard when you choose Kirby™ – trusted for years to handle the extremes of our climate.

Features & Benefits

The Kirby® Commander Blue High Ambient condensing unit range offers:

- Large condensers rated for 46°C ambient temperatures
- Condenser fans are single phase 240v high efficiency, low noise external rotor motor(s)
- Internationally proven Maneurop compressors
- Compressors are fitted with an internal line break protection to ensure maximum motor protection for long life operation
- Compressors are supplied with oil sight glass, oil equalisation and crankcase heater as standard
- All models are supplied with a Danfoss universal dual pressure control with flexible hose lines
- All models come with an MP15D phase/motor protector
- All models are fully pre-wired for quick installation (DOL)
- All models are fitted with a condenser fan speed control
- Pressure vessels comply with internationally recognised standards
- Powder coated exterior for long wearing durability
- All models come with a liquid line drier and moisture indicator
- All low temperature units are fitted with a suction accumulator
- All models come with a high efficiency internal float oil separator



Kirby® Commander Condensing Units – Nomenclature

PC	H	156	MH	A1	2
<p>Nominal Capacity 156</p>			<p>Power Supply & Release Number Odd Single Phase Supply Even Three Phase Supply</p>		
<p>Compressor Type H Hermetic Reciprocating S Semi-Hermetic Reciprocating</p>			<p>Condenser Type & Variation A Air Cooled</p>		
<p>Unit Type PC Kirby® Commander Blue</p>			<p>Usage Application L Low Temperature M/H Medium/High Temperature</p>		

COMMANDER BLUE HIGH AMBIENT CONDENSING UNITS

R404A Performance Data

PRODUCT NUMBER	DISPLACEMENT (m ² /hr)	AMBIENT TEMP. (°C)	CAPACITY WATTS @ SST (°C)												RECEIVER CAPACITY (kg)
			LT						MT			HT			
			-45	-40	-35	-30	-25	-20	-15	-10	-5	0	5	10	
DANFOSS MANEUROP HERMETIC RECIPROCATING COMPRESSORS (MTZ)															
PCH078MHA1-2	13.26	35	-	-	-	-	2,870	3,800	4,890	6,110	7,450	8,890	10,410	11,990	6.7
		46	-	-	-	-	-	2,840	3,760	4,820	5,960	7,150	8,350	9,550	
PCH093MHA1-2	14.90	35	-	-	-	2,490	3,390	4,510	5,790	7,200	8,740	10,280	11,860	13,480	6.7
		46	-	-	-	-	2,460	3,340	4,370	5,500	6,720	7,950	9,160	-	
PCH103MHA1-2	16.73	35	-	-	-	2,600	3,570	4,800	6,250	7,910	9,760	11,590	13,530	15,540	8.9
		46	-	-	-	-	2,640	3,600	4,770	6,140	7,650	9,100	10,570	12,010	
PCH120MHA1-2	18.74	35	-	-	-	3,230	4,340	5,750	7,390	9,270	11,360	13,380	15,520	17,730	8.9
		46	-	-	-	-	3,190	4,280	5,630	7,200	8,930	10,550	12,210	13,850	
PCH140MHA1-2	21.04	35	-	-	-	3,740	5,000	6,650	8,580	10,780	13,230	15,650	18,210	20,800	8.9
		46	-	-	-	-	3,760	5,010	6,560	8,360	10,370	12,350	14,390	16,370	
PCH156MHA1-2	23.63	35	-	-	-	4,520	5,960	7,790	9,860	12,170	14,710	17,400	20,280	23,290	8.9
		46	-	-	-	-	4,520	5,950	7,620	9,510	11,540	13,640	15,760	-	
PCH175MHA1-2	29.80	35	-	-	-	4,950	6,590	8,590	10,940	13,600	16,540	19,740	23,180	26,810	8.9
		46	-	-	-	-	4,730	6,360	8,340	10,580	12,990	15,480	18,000	-	
PCH221MHA1-2	37.49	35	-	-	-	6,830	8,900	11,390	14,250	17,450	20,930	24,660	28,580	32,570	8.9
		46	-	-	-	-	6,510	8,610	11,050	13,730	16,530	19,350	22,070	-	
PCH256MHA1-2	42.09	35	-	-	-	8,000	10,370	13,210	16,480	20,150	24,170	28,500	33,070	37,750	11.9
		46	-	-	-	-	7,580	9,970	12,740	15,800	19,050	22,380	25,690	-	
PCH282MHA1-2	47.25	35	-	-	-	9,030	11,650	14,770	18,370	22,370	26,690	31,270	36,030	40,920	11.9
		46	-	-	-	-	6,440	8,630	11,310	14,370	17,660	21,050	24,460	27,790	

COMMANDER BLUE HIGH AMBIENT CONDENSING UNITS

R404A (LT) Performance Data

PRODUCT NUMBER	DISPLACEMENT (m ² /hr)	AMBIENT TEMP. (°C)	CAPACITY WATTS @ SST (°C)												RECEIVER CAPACITY (kg)
			LT						MT			HT			
			-45	-40	-35	-30	-25	-20	-15	-10	-5	0	5	10	
DANFOSS MANEUROP HERMETIC RECIPROCATING COMPRESSORS (NTZ)															
PCH032LA1-2	11.81	35	-	1,300	1,820	2,410	3,050	3,750	4,530	-	-	-	-	-	3.6
		46	-	-	1,360	1,860	2,420	3,040	3,710	-	-	-	-	-	
PCH040LA1-2	16.73	35	-	-	2,100	2,880	3,770	4,790	5,980	-	-	-	-	-	6.7
		46	-	-	1,440	2,020	2,710	3,610	4,820	-	-	-	-	-	
PCH061LA1-2	23.63	35	-	2,420	3,370	4,510	5,800	7,230	8,860	-	-	-	-	-	8.9
		46	-	-	2,450	3,370	4,490	5,790	7,300	-	-	-	-	-	
PCH094LA1-2	37.49	35	-	3,640	5,140	6,930	8,900	11,070	13,520	-	-	-	-	-	8.9
		46	-	-	3,670	5,140	6,890	8,920	11,280	-	-	-	-	-	
PCH128LA1-2	47.25	35	-	5,190	7,210	9,550	12,150	15,010	18,210	-	-	-	-	-	8.9
		46	-	-	5,350	7,250	9,520	12,090	14,940	-	-	-	-	-	

COMMANDER BLUE HIGH AMBIENT CONDENSING UNITS

R134a Performance Data

PRODUCT NUMBER	DISPLACEMENT (m ³ /hr)	AMBIENT TEMP. (°C)	CAPACITY WATTS @ SST (°C)												RECEIVER CAPACITY (kg)	
			LT						MT			HT				
			-45	-40	-35	-30	-25	-20	-15	-10	-5	0	5	10		
DANFOSS MANEUROP HERMETIC RECIPROCATING COMPRESSORS (MTZ)																
PCH078MHA1-2	13.26	35	-	-	-	-	-	-	2,740	3,650	4,710	5,910	7,210	8,540	7.8	
		46	-	-	-	-	-	-	-	2,760	3,670	4,740	5,900	7,120		
PCH093MHA1-2	14.90	35	-	-	-	-	-	-	2,360	3,300	4,390	5,610	6,970	8,440	10,020	7.8
		46	-	-	-	-	-	-	-	2,510	3,430	4,510	5,710	7,010	8,350	
PCH103MHA1-2	16.73	35	-	-	-	-	-	-	2,800	3,700	4,820	6,150	7,690	9,430	11,350	10.4
		46	-	-	-	-	-	-	-	2,950	3,880	5,010	6,340	7,860	9,550	
PCH120MHA1-2	18.74	35	-	-	-	-	-	-	3,630	4,580	5,760	7,180	8,830	10,710	12,770	10.4
		46	-	-	-	-	-	-	-	3,670	4,650	5,860	7,300	8,940	10,730	
PCH140MHA1-2	21.04	35	-	-	-	-	-	-	4,000	5,220	6,710	8,490	10,540	12,850	15,410	10.4
		46	-	-	-	-	-	-	-	5,200	6,800	8,680	10,780	13,090		
PCH156MHA1-2	23.63	35	-	-	-	-	-	-	4,700	6,030	7,690	9,660	11,950	14,510	17,330	10.4
		46	-	-	-	-	-	-	-	4,610	6,080	7,860	9,900	12,160	14,610	
PCH175MHA1-2	29.80	35	-	-	-	-	-	-	6,050	8,030	10,360	13,030	16,010	19,310	10.4	
		46	-	-	-	-	-	-	-	6,490	8,540	10,880	13,490	16,330		
PCH221MHA1-2	37.49	35	-	-	-	-	-	-	7,650	10,070	12,880	16,060	19,580	23,440	10.4	
		46	-	-	-	-	-	-	-	5,850	7,970	10,500	13,350	16,450		19,770
PCH256MHA1-2	42.09	35	-	-	-	-	-	-	7,450	9,880	12,770	16,090	19,810	23,920	28,400	13.8
		46	-	-	-	-	-	-	-	7,910	10,480	13,460	16,760	20,310	24,120	
PCH282MHA1-2	47.25	35	-	-	-	-	-	-	8,270	10,890	14,020	17,610	21,660	26,120	30,980	13.8
		46	-	-	-	-	-	-	-	6,600	8,880	11,630	14,800	18,300	22,080	

COMMANDER BLUE HIGH AMBIENT CONDENSING UNITS

Technical Data

PRODUCT NUMBER	COMPRESSOR MODEL	CONDENSER FAN DATA			ELECTRICAL DATA				CONNECTIONS		SOUND POWER db(A)
		NO. OF FANS (#)	DIAMETER (m)	AIRFLOW (l/s)	MCC (A/Ph)	LRA (A/Ph)	RLA (A/Ph)	INPUT (w)	LIQUID (mm)	SUCTION (mm)	
DANFOSS MANEUROP HERMETIC RECIPROCATING COMPRESSORS (MTZ)											
PCH078MHA1-2	MTZ44-4	1	450	1,050	11.1	50.1	8.4	3,970	12.70	34.92	81.7
PCH093MHA1-2	MTZ50-4	2	350	1,010	12.7	49.7	9.0	4,320	12.70	34.92	83.7
PCH103MHA1-2	MTZ56-4	2	450	2,130	15.1	67.1	12.3	5,240	12.70	34.92	83.3
PCH120MHA1-2	MTZ64-4	2	450	1,940	17.1	67.1	11.9	5,930	12.70	34.92	83.0
PCH140MHA1-2	MTZ73	2	450	2,190	20.1	83.1	13.1	6,680	12.70	34.92	82.3
PCH156MHA1-2	MTZ81	2	500	3,350	23.0	84.0	15.3	8,220	12.70	34.92	85.1
PCH175MHA1-2	MTZ100	2	500	3,120	26.0	82.5	18.6	9,260	12.70	34.92	87.4
PCH221MHA1-2	MTZ125	2	500	2,770	31.0	109.0	21.4	11,940	12.70	34.92	86.9
PCH256MHA1-2	MTZ144	2	500	3,400	34.0	119.0	26.8	13,230	15.88	34.92	86.5
PCH282MHA1-2	MTZ160	2	500	3,240	40.0	134.0	26.2	12,670	15.88	34.92	86.4
DANFOSS MANEUROP HERMETIC RECIPROCATING COMPRESSORS (NTZ)											
PCH032LA1-2	NTZ068	1	350	620	9.0	25.6	4.0	1,670	9.52	15.88	75.0
PCH040LA1-2	NTZ096	1	450	1,180	11.7	33.6	4.8	2,084	12.70	22.22	84.4
PCH061LA1-2	NTZ136	2	450	2,130	17.4	54.1	9.2	3,596	12.70	22.22	81.7
PCH094LA1-2	NTZ215	2	450	2,190	25.4	77.1	10.6	4,849	12.70	28.57	85.5
PCH128LA1-2	NTZ271	2	500	3,120	31.0	100.0	13.6	6,903	12.70	28.57	87.1

COMMANDER BLUE HIGH AMBIENT CONDENSING UNITS

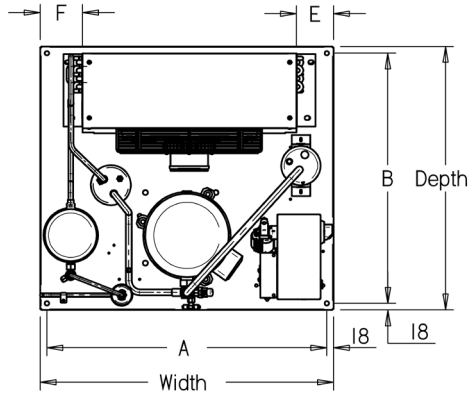
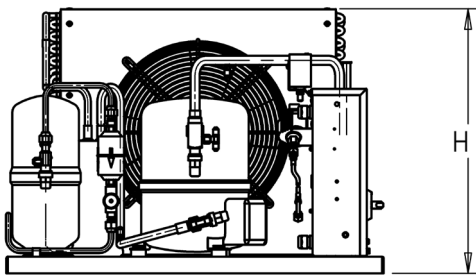
Physical Data

PRODUCT NUMBER	DIMENSIONS (mm)									WEIGHT (kg)	
	HEIGHT	WIDTH	DEPTH	A	B	C	E	F	G	NET	GROSS
DANFOSS MANEUROP HERMETIC RECIPROCATING COMPRESSORS (MTZ)											
PCH078MHA1-2	655	980	770	944	734	-	145	93	35	108	121
PCH093MHA1-2	655	980	770	944	734	-	57	85	35	111	124
PCH103MHA1-2	670	1,270	870	1,234	834	417	48	98	50	115	133
PCH120MHA1-2	670	1,270	870	1,234	834	417	48	98	50	121	139
PCH140MHA1-2	825	1,270	870	1,234	834	417	48	98	50	132	150
PCH156MHA1-2	925	1,270	870	1,234	834	417	48	98	50	141	159
PCH175MHA1-2	925	1,270	870	1,234	834	417	48	98	50	172	190
PCH221MHA1-2	925	1,270	870	1,234	834	417	48	98	50	194	212
PCH256MHA1-2	975	1,610	910	1,574	874	437	52	92	50	250	273
PCH282MHA1-2	975	1,610	910	1,574	874	437	52	92	50	269	292
DANFOSS MANEUROP HERMETIC RECIPROCATING COMPRESSORS (NTZ)											
PCH032LA1-2	555	790	710	944	734	-	145	93	35	65	75
PCH040LA1-2	655	980	770	944	734	-	145	93	35	94	107
PCH061LA1-2	670	1,270	870	1,234	834	417	48	98	50	111	129
PCH094LA1-2	925	1,270	870	1,234	834	417	48	98	50	153	171
PCH128LA1-2	925	1,270	870	1,234	834	417	48	98	50	176	194

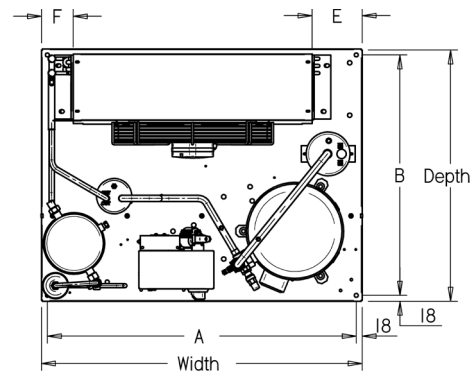
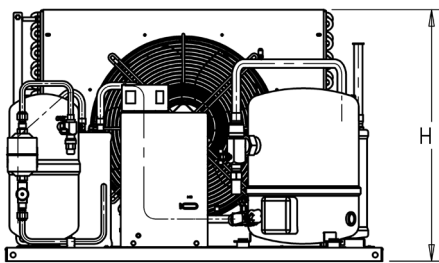
COMMANDER BLUE HIGH AMBIENT CONDENSING UNITS

Physical Data

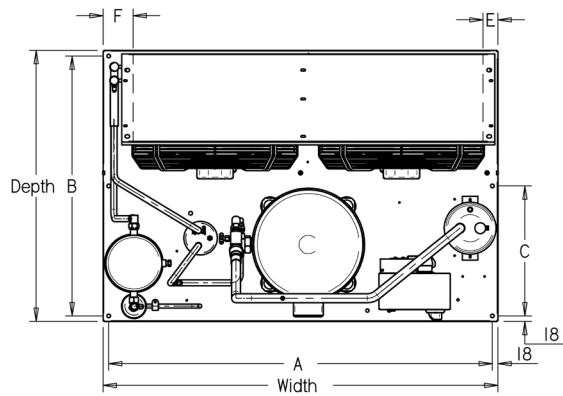
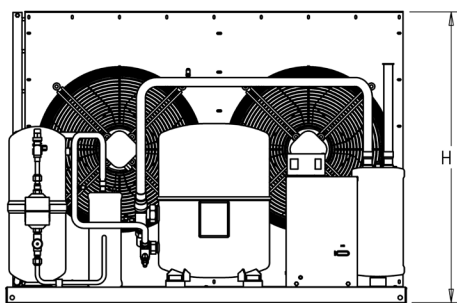
Base Type B (front and top view)



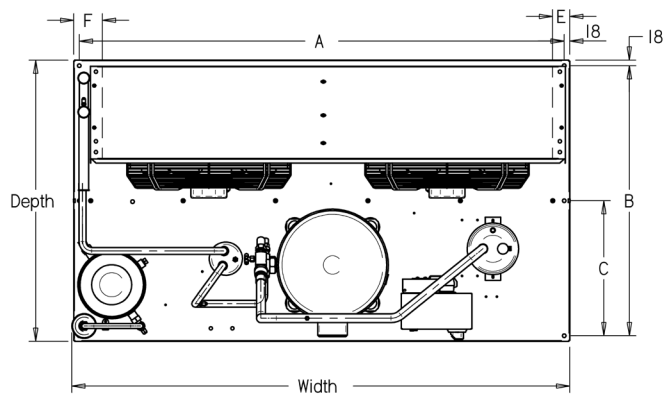
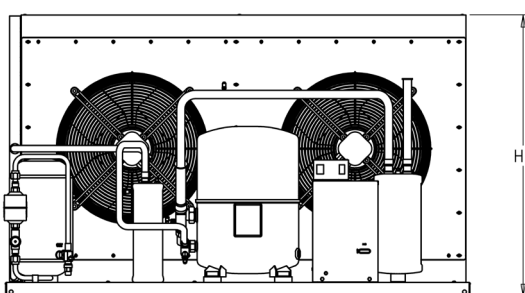
Base Type C (front and top view)



Base Type D (front and top view)



Base Type E (front and top view)





13 23 50
kirbyhvacr.com.au

Exclusively distributed by

KIRBY
A **BEIJER REF** Company

The contents of this brochure are copyright protected and may not be reproduced in any form without the written consent of Kirby HVAC&R Pty Ltd (T/A Kirby). Recommendations and advice regarding the use of the products described in this publication are to be taken as a guide only and are given without liability on the part of the company or its employees. As Kirby continually improves its product range and processes, Kirby reserves the right to change product specifications without any prior notification. Please refer to the kirbyhvacr.com.au website for the latest version of this publication. The purchaser should independently determine the suitability of the product for the intended use and application and that the product complies with relevant standards. Kirby accepts no responsibility for loss or damage (direct or indirect and including consequential loss, loss of profits or opportunity and economic loss) however arising which results from any errors or omissions in the information contained in this publication or arising from the use or application of the information contained herein.

Kirby HVAC&R Pty Ltd continually strives to improve products and processes. We reserve the right to modify product features without notice. Information is correct at time of printing.

© Copyright 2021 Kirby HVAC&R Pty Ltd
Information is correct at time of printing.