



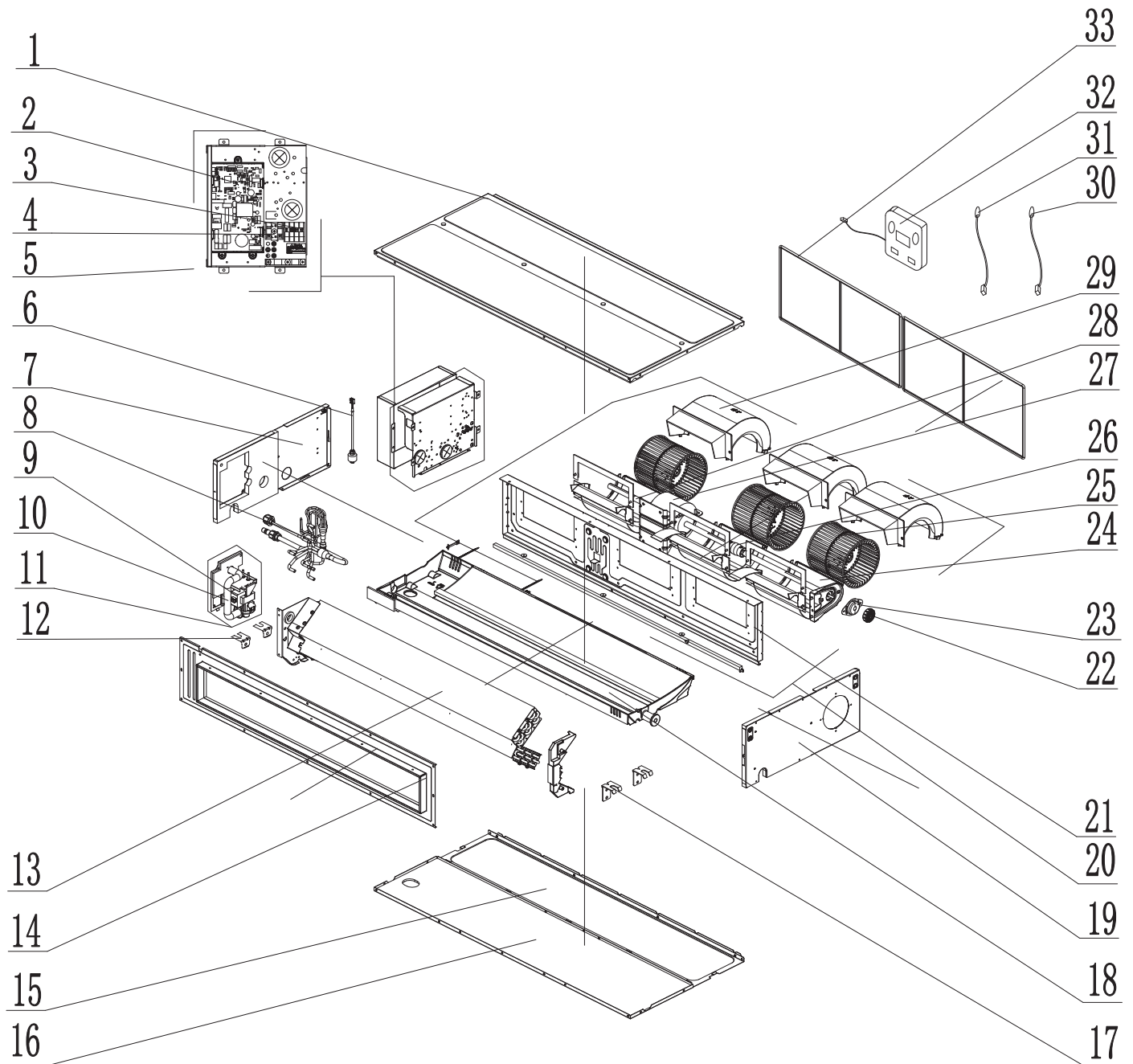
# **INDOOR R32 U-MATCH DUCTED**

## **SPARE PARTS LIST**

February 2023

# GUD50PS/B-S

## Exploded View



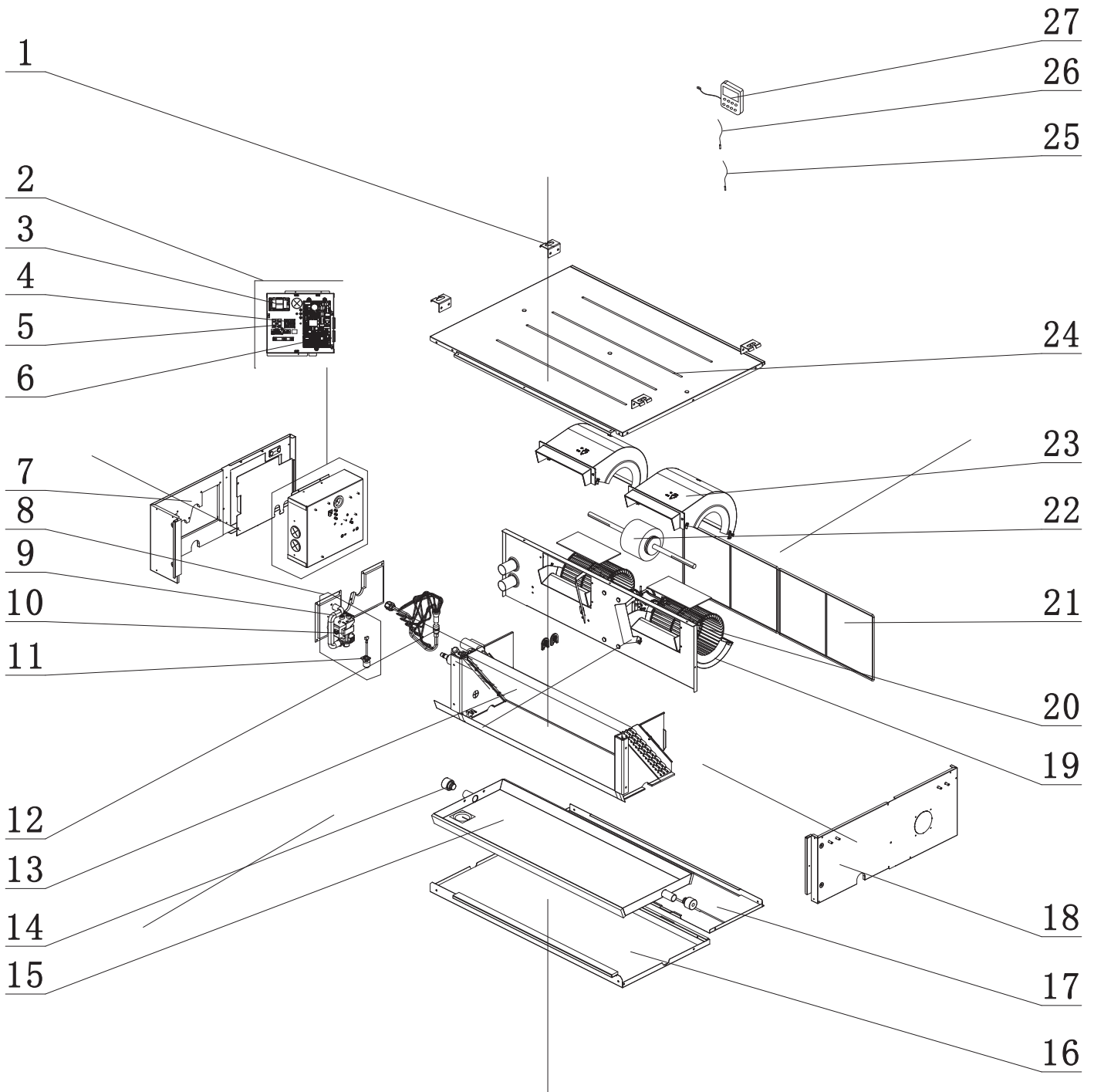
**GUD50PS/B-S**

## Spare Parts List

No.	Part Description	Part Code
1	Top Cover Board Assy	000132060058
2	Main Board	300002060223
3	Terminal Board	42018000551
4	Terminal Board	42011106
5	Electric Box Assy	100002002911
6	Water Level Switch	430024060005
7	Left Side Plate Assy	000080000022
8	Strainer	0721200102
9	Water Pump	812007060016
10	Drainage Pipe(Rubber)	760022000001
11	Water Pump Assy	000104060009
12	Hook 2	01344100034
13	Evaporator Assy	011001061291
14	Air Outlet Frame Assy	01374100058
15	Cover Of Air-In	01265200073
16	Bottom Cover Plate Assy	01264100103
17	Hook	N/A
18	Water Tray Assy	01285200022
19	Right Side Plate Assy	01315200053
20	Centrifugal Fan Assy	000052060419
21	Blower Mounting Plate Sub-Assy	01325200035
22	Bearing Holder Sub-assy	26151139
23	Support Of Motor Bearing	02285200001
24	Propeller Housing(Lower)	26905200019
25	Centrifugal Fan	10425200003
26	Joint Slack	73018731
27	Brushless DC Motor	1570410000105
28	Rotary Axis Sub-Assy	73018761
29	Propeller Housing(Upper)	26905200018
30	Temperature Sensor	390000597
31	Room Sensor	39000191
32	Display Board	300001060426
33	Filter Sub-Assy	111253038

# GUD71PHS/B-S

## Exploded View



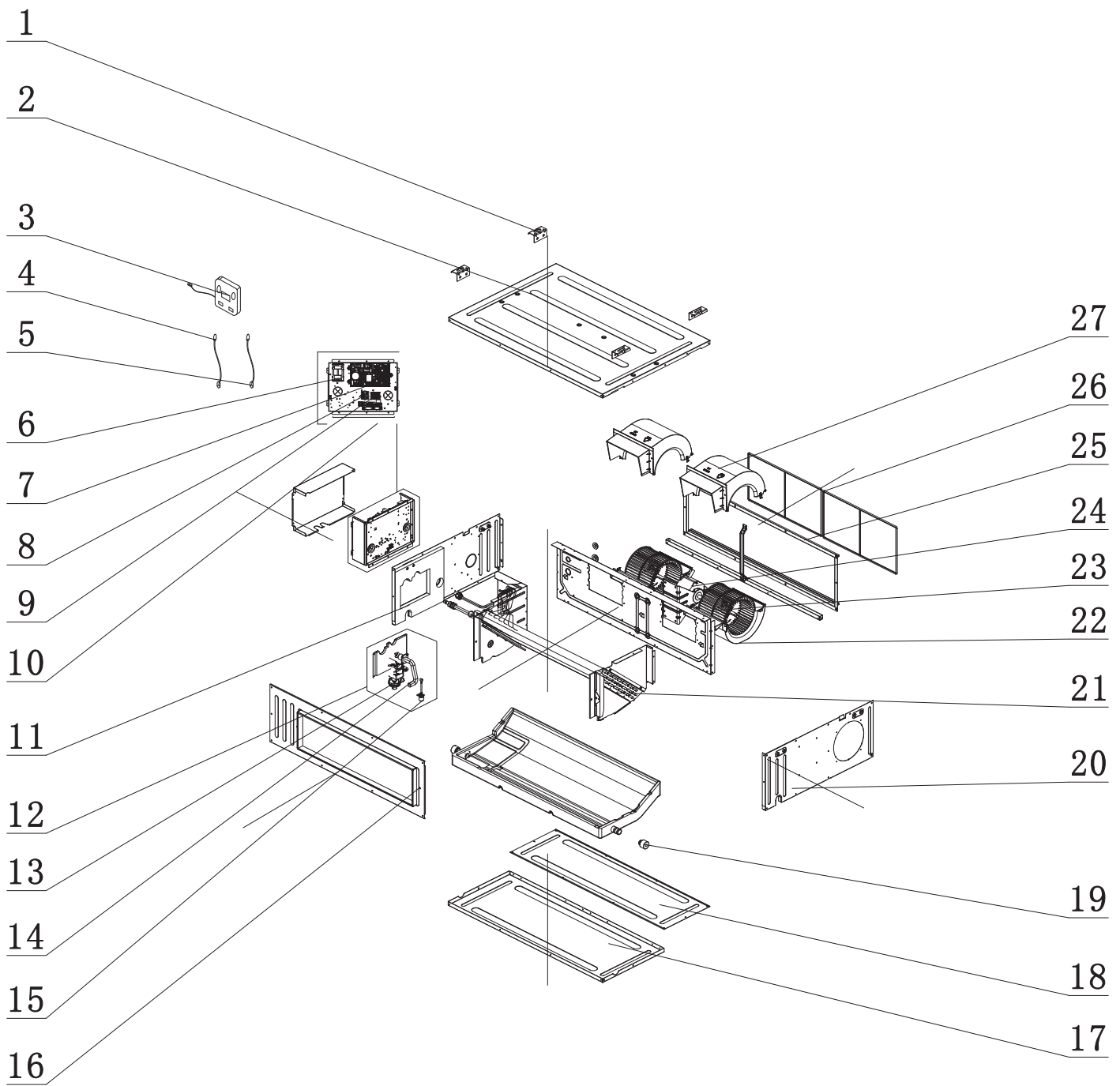
**GUD71PHS/B-S**

## Spare Parts List

No.	Part Description	Part Code
1	Hook	012045060005
2	Electric Box Assy	100002066859
3	Filter Board	300020000017
4	Terminal Board	42018000551
5	Terminal Board	42011106
6	Main Board	300002060223
7	Left Side Plate Assy	000080060159
8	Water Pump Assy	000104060036
9	Water Pump	812007060016
10	Drainage Pipe(Rubber)	760022000001
11	Liquid Level Switch	430024000005
12	Strainer	0721212101
13	Evaporator Assy	011001061117
14	Choke Plug of Drain Pipe	N/A
15	Water Tray	012122060338
16	Bottom Cover Plate Assy	000133060032
17	Cover Of Air-In	012104060001
18	Right Side Plate Assy	000081060171
19	Volute Casing	200230060004
20	Centrifugal Fan	103003060003
21	Filter Sub-Assy	N/A
22	Brushless DC Motor	1570410000105
23	Volute Casing	200230060003
24	Top Cover Board Assy	000132060069
25	Room Sensor	39000191
26	Temperature Sensor	390000598
27	Display Board	300001060426

# GUD100PHS/B-S

## Exploded View



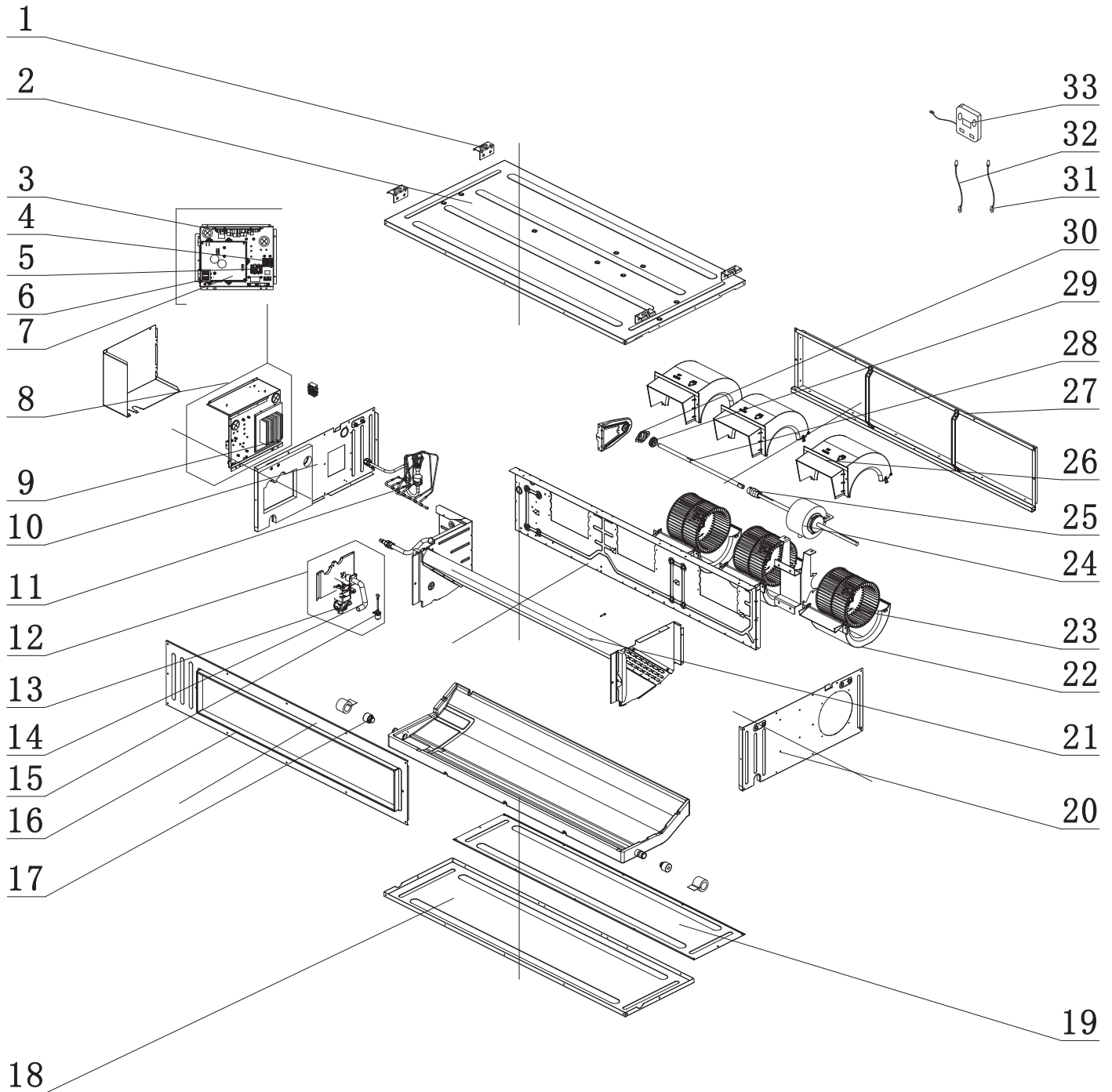
**GUD100PHS/B-S**

## Spare Parts List

No.	Part Description	Part Code
1	Hook	02112466
2	Top Cover Board Sub-Assy	01265200129
3	Display Board	300001060426
4	Temperature Sensor	390001921
5	Ambient Temperature Sensor	3900012123
6	Filter Board	300020000017
7	Main Board	300002060227
8	Terminal Board	42000100000101
9	Terminal Board	42018000551
10	Electric Box Assy	100002061152
11	Left Side Plate Assy	01315200147
12	Water Pump Assy	000104060016
13	Water Pump	81200706001601
14	Pump Drainpipe	200070060004
15	Liquid Level Switch	430024000005
16	Air Outlet Frame Assy	01375200026
17	Bottom Cover Plate	01265200131
18	Cover Of Air-In	01265200132
19	Choke Plug of Drain Pipe	76815214
20	Right Side Plate Assy	01315200124
21	Evaporator Assy	011001061290
22	Propeller Housing(Lower)	26905200079
23	Centrifugal Fan	10455200003
24	Brushless DC Motor	15705200016
25	Return Air Frame Sub-Assy	01375200030
26	Filter Sub-Assy	N/A
27	Propeller Housing(Upper)	26905200078

# GUD125PHS/B-S

## Exploded View





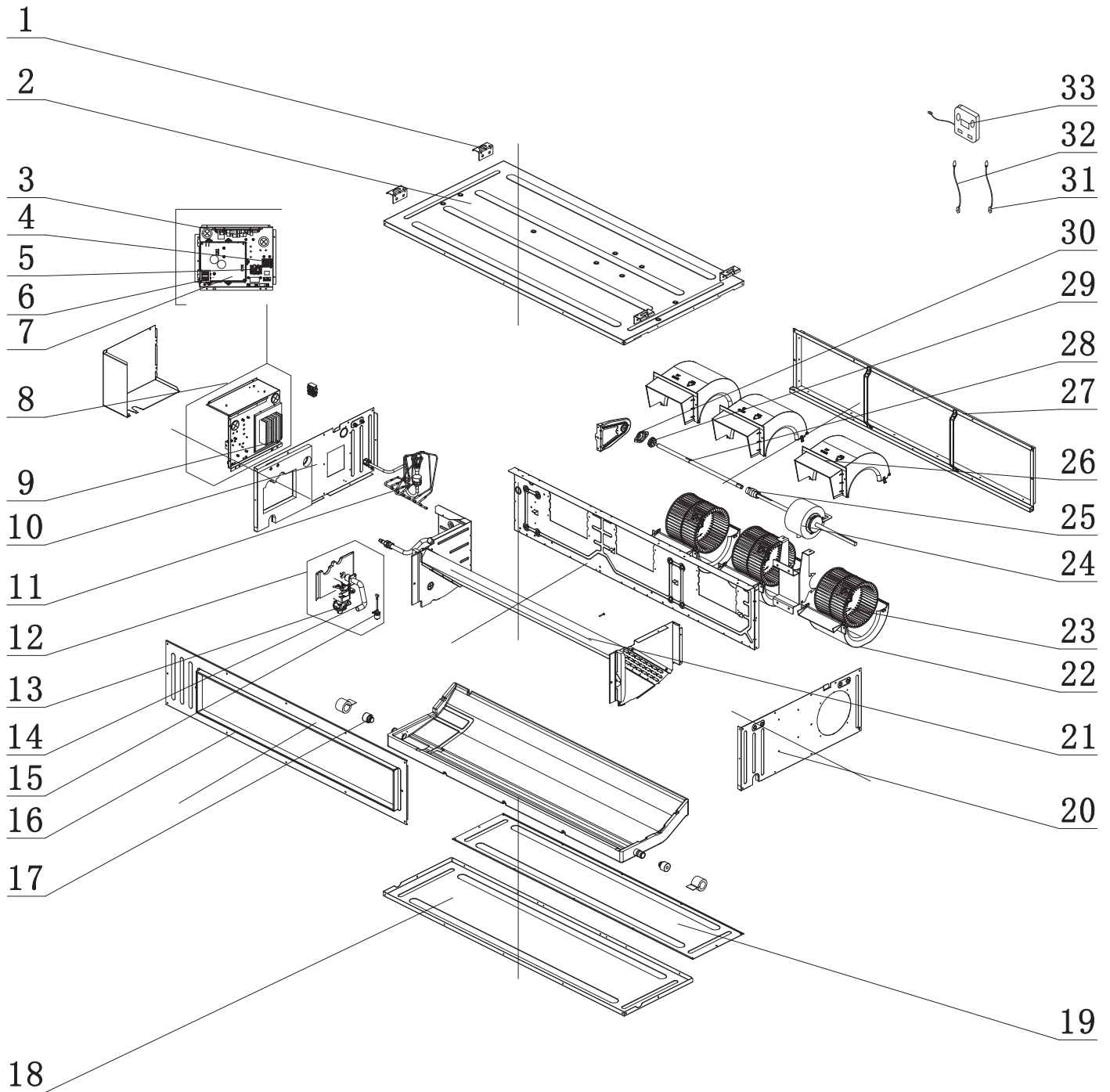
**GUD125PHS/B-S**

## Spare Parts List

No.	Part Description	Part Code
1	Hook	02112466
2	Top Cover Board Sub-assy	01264100106
3	Main Board	300002060223
4	Terminal Board	42018000551
5	Terminal board	42000100000202
6	Reactor	43138000047
7	Main Board	30221000033
8	Electric Box Assy	100002068548
9	Radiator	49018000068
10	Left Side Plate Assy	01314100118
11	Filter	07415210
12	Water Pump Assy	000104060016
13	Water Pump	81200706001601
14	Pump Drainpipe	200070060004
15	Liquid Level Switch	430024000005
16	Air Outlet Frame Assy	01375200023
17	Choke Plug of Drain Pipe	76815214
18	Bottom Cover Plate	01265200125
19	Cover Plate(Air return)	01265200123
20	Right Side Plate Assy	01315200124
21	Evaporator Assy	011001060758
22	Propeller Housing(Lower)	26905200079
23	Centrifugal Fan	10455200003
24	Brushless DC Motor	1570940000801
25	Joint Slack	73018731
26	Propeller Housing(Upper)	26905200078
27	Return Air Frame Sub-Assy	01375200029
28	Rotary Axis Sub-Assy	73018000117
29	Bearing Holder Sub-assy	26151139
30	Support Of Motor Bearing	02285200001
31	Temperature Sensor	390001060013
32	Room Sensor	39000191
33	Display Board	300001060426

# GUD140PHS/B-S

## Exploded View



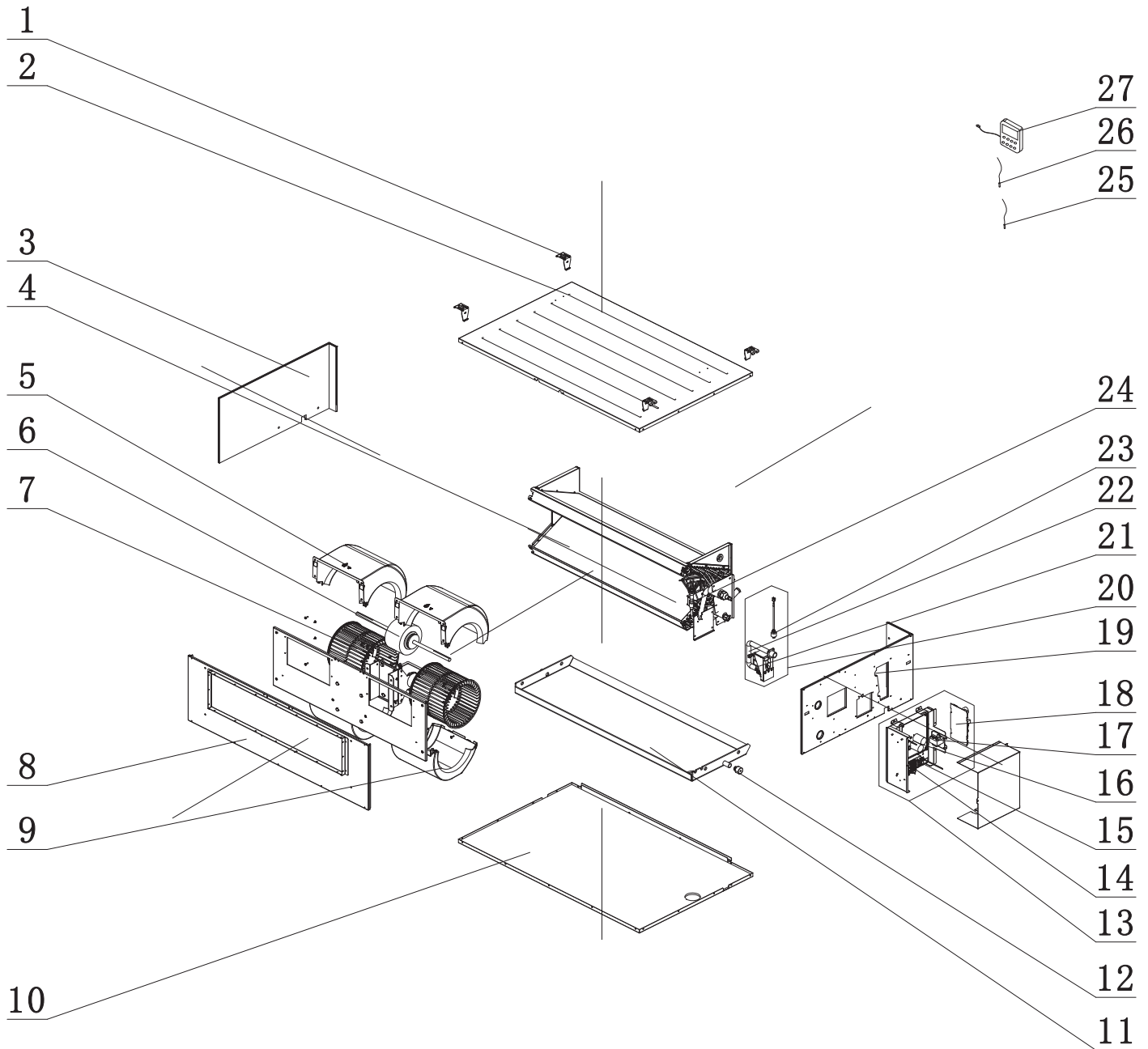
**GUD140PHS/B-S**

## Spare Parts List

No.	Part Description	Part Code
1	Hook	02112466
2	Top Cover Board Sub-assy	01264100106
3	Main Board	300002060223
4	Terminal Board	42018000551
5	Terminal board	42000100000202
6	Reactor	43138000047
7	Main Board	30221000033
8	Electric Box Assy	100002068548
9	Radiator	49018000068
10	Left Side Plate Assy	01314100118
11	Filter	07415210
12	Water Pump Assy	000104060016
13	Water Pump	81200706001601
14	Pump Drainpipe	200070060004
15	Liquid Level Switch	430024000005
16	Air Outlet Frame Assy	01375200023
17	Choke Plug of Drain Pipe	76815214
18	Bottom Cover Plate	01265200125
19	Cover Plate(Air return)	01265200123
20	Right Side Plate Assy	01315200124
21	Evaporator Assy	011001060758
22	Propeller Housing(Lower)	26905200079
23	Centrifugal Fan	10455200003
24	Brushless DC Motor	1570940000801
25	Joint Slack	73018731
26	Propeller Housing(Upper)	26905200078
27	Return Air Frame Sub-Assy	01375200029
28	Rotary Axis Sub-Assy	73018000117
29	Bearing Holder Sub-assy	26151139
30	Support Of Motor Bearing	02285200001
31	Temperature Sensor	390001060013
32	Room Sensor	39000191
33	Display Board	300001060426

# GUD160PHS/B-S

Exploded View



**GUD160PHS/B-S**

## Spare Parts List

No.	Part Description	Part Code
1	Hook	02205209
2	Top Cover Board Sub-assy	017011060146
3	Left Side Plate Sub-Assy	01315200064
4	Evaporator Assy	011001061295
5	Propeller Housing(Upper)	26905200010
6	Brushless DC Motor	1570940000801
7	Centrifugal Fan	10425200002
8	Front Side Plate Sub-Assy	000082060016
9	Propeller Housing(Lower)	26905200011
10	Lower Cover Plate Sub-Assy	017010060053
11	Water Tray Sub-Assy	01285200018P
12	Choke Plug of Drain Pipe	76712455
13	Electric Box Assy	100002070139
14	Terminal Board	42018000551
15	Terminal board	42000100000202
16	Main Board	30221000033
17	Reactor	43138000047
18	Main Board	300002060223
19	Right Side Plate Sub-Assy	017038060122
20	Water Pump Assy	15405200081
21	Water Pump	4313822001
22	Pump Drainpipe	05235301
23	Liquid Level Switch	43002400000501
24	Strainer	07212121
25	Ambient Temperature Sensor	3900012123
26	Tube sensor	3900012128
27	Display Board	300001060426

It is the policy of Gree Australia to introduce continuous product improvements.  
Accordingly, specifications are subject to change without notice.  
Please consult with your dealer to confirm the specifications of the model selected.

1800 473 346  
[greeac.com.au](http://greeac.com.au)

