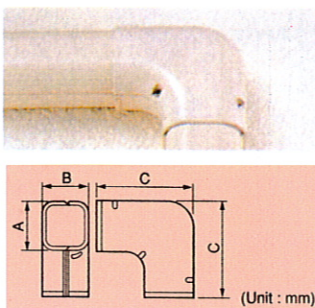
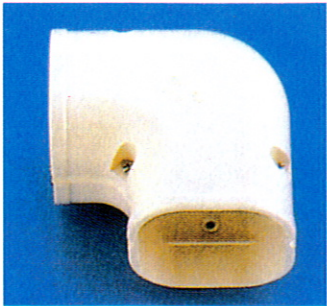


90° Flat Bend

SK

SLIM CORNER FOR FLAT SURFACE 90°
Material...P.V.C.



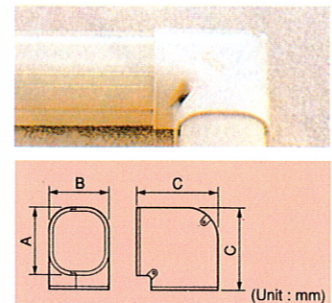
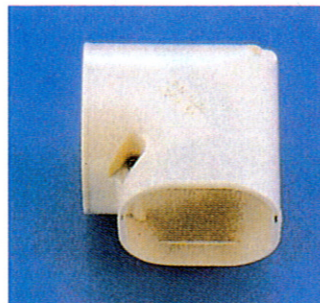
Code No.	Product No.	A	B	C	Pcs/Pkg
0421	SK-66	68	62	100	60(20)
0422	SK-77	83	66	128	60(20)
0423	SK-100	109	74	154	10(10)
0424	SK-140	146	84	190	5(5)

() shows quantities of black, gray, brown and white.

90° Flat Bend (Mini-Type)

SKM

MINI SLIM CORNER FOR FLAT SURFACE 90°
Material...P.V.C.

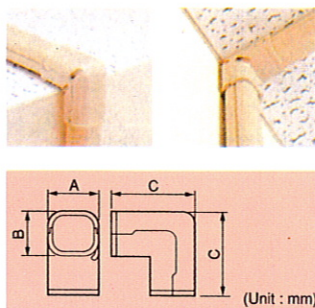
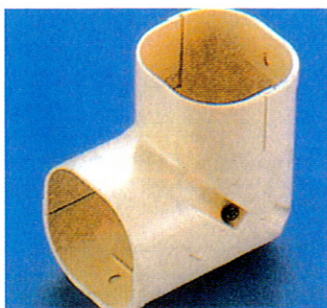


Code No.	Product No.	A	B	C	Pcs/Pkg
7301	SKM-66	67	62	82	20
7302	SKM-77	82	68	97	20

90° Up/Down

SC

SLIM CORNER FOR TURN UP AND DOWN 90°
Material...P.V.C.



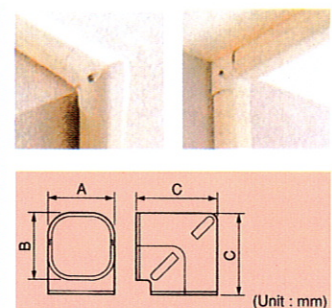
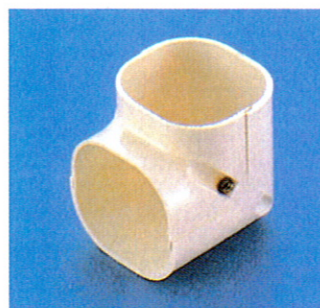
Code No.	Product No.	A	B	C	Pcs/Pkg
0431	SC-66	66	63	97	60(20)
0432	SC-77	81	67	100	60(20)
0433	SC-100	106	75	117	10(10)
0434	SC-140	145	84	126	5(5)

() shows quantities of black, gray, brown and white.

90° Up/Down (Mini-Type)

SCM

MINI SLIM CORNER FOR TURN UP AND DOWN 90°
Material...P.V.C.

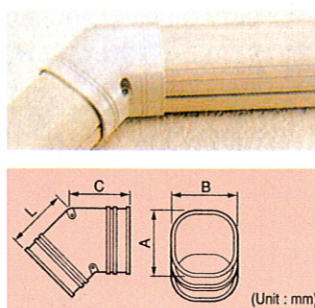
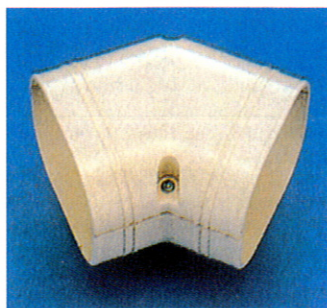


Code No.	Product No.	A	B	C	Pcs/Pkg
7321	SCM-66	67	62	75	20
7322	SCM-77	82	68	82	20

45° Up/Down

SKF

SLIM CORNER FOR TURN UP AND DOWN 45°
Material...P.V.C.

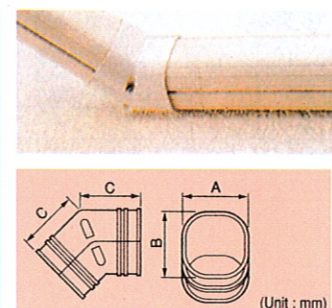
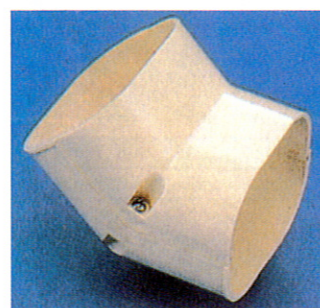


Code No.	Product No.	A	B	C	Pcs/Pkg
7311	SKF-66	67	62	60	20
7312	SKF-77	82	68	65	20
7313	SKF-100	107	75	75	10
7314	SKF-140	147	85	92	5

45° Up/Down

SCF

SLIM CORNER FOR TURN UP AND DOWN 45°
Material...P.V.C.



Code No.	Product No.	A	B	C	Pcs/Pkg
7331	SCF-66	67	62	58	20
7332	SCF-77	82	68	61	20
7333	SCF-100	107	75	64	10
7334	SCF-140	147	85	67	5