



**EN 12900 Household (CECOMAF) R404A/R507, 220V, 50Hz, fan cooling F<sub>2</sub>**

Evap. temp. in °C	-45	-40	-35	-30	-25	-23.3	-20	-15	-10	-6.7	-5	0	5	7.2	10	15	20
Capacity in W							759	964	1207	1391	1493	1825	2210	2397	2652	3156	
Power cons. in W							589	659	722	760	778	825	865	879	896	918	
Current cons. in A							3.09	3.46	3.79	3.98	4.07	4.31	4.50	4.57	4.64	4.75	
COP in W/W							1.29	1.46	1.67	1.83	1.92	2.21	2.56	2.73	2.96	3.44	

**ASHRAE LBP R404A/R507, 220V, 50Hz, fan cooling F<sub>2</sub>**

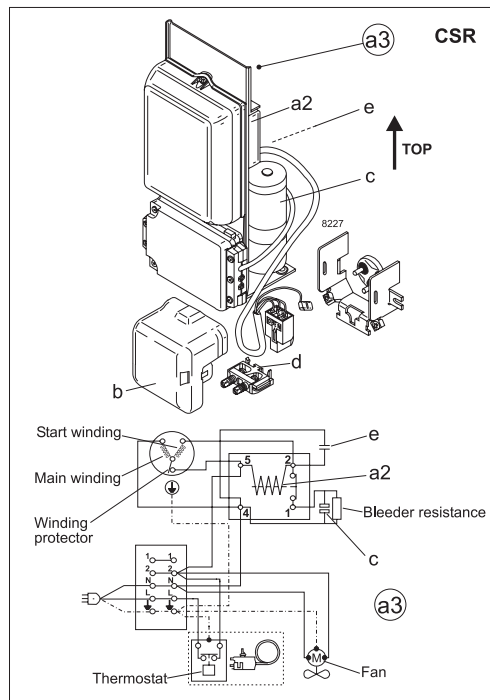
Evap. temp. in °C	-45	-40	-35	-30	-25	-23.3	-20	-15	-10	-6.7	-5	0	5	7.2	10	15	20
Capacity in W							881	1121	1405	1613	1740	2131	2585	2807	3109	3710	
Power cons. in W							589	659	722	760	778	825	865	879	896	918	
Current cons. in A							3.09	3.46	3.79	3.98	4.07	4.31	4.50	4.57	4.64	4.75	
COP in W/W							1.50	1.70	1.95	2.12	2.24	2.58	2.99	3.19	3.47	4.04	

**EN 12900 Household (CECOMAF) R407C, 220V, 50Hz, fan cooling F<sub>2</sub>**

Evap. temp. in °C	-45	-40	-35	-30	-25	-23.3	-20	-15	-10	-6.7	-5	0	5	7.2	10	15	20
Capacity in W								777	1011	1187	1293	1629	2023	2217	2483	3014	
Power cons. in W								534	590	621	640	686	726	742	761	790	
Current cons. in A								2.84	3.08	3.22	3.30	3.50	3.67	3.74	3.82	3.94	
COP in W/W								1.45	1.71	1.90	2.02	2.37	2.79	2.99	3.26	3.82	

**ASHRAE LBP R407C, 220V, 50Hz, fan cooling F<sub>2</sub>**

Evap. temp. in °C	-45	-40	-35	-30	-25	-23.3	-20	-15	-10	-6.7	-5	0	5	7.2	10	15	20
Capacity in W								833	1084	1273	1387	1748	2173	2381	2668	3241	
Power cons. in W								534	590	621	640	686	726	742	761	790	
Current cons. in A								2.84	3.08	3.22	3.30	3.50	3.67	3.74	3.82	3.94	
COP in W/W								1.56	1.84	2.05	2.17	2.55	2.99	3.21	3.51	4.10	



Accessories for SC15DL	Figure	Code number
Starting device	a3	117-7029
550 mm cable length		117-7032
650 mm cable length		
Cover	b	103N2009
Starting relay	a2	Components of starting device
Start. capacitor 80 µF	c	
Run capacitor 10 µF	e	
Cord relief	d	

Test conditions	EN 12900/CECOMAF	ASHRAE LBP
Condensing temperature	45°C	45°C
Ambient temperature	32°C	32°C
Suction gas temperature	32°C	32°C
Liquid temperature	45°C	32°C

Mounting accessories		Code number
Bolt joint for one comp.	Ø: 16 mm	118-1917
Bolt joint in quantities	Ø: 16 mm	118-1918
Snap-on in quantities	Ø: 16 mm	118-1919

Secop accepts no responsibility for possible errors in catalogs, brochures, and other printed material. Secop reserves the right to alter its products without notice. This also applies to products already on order provided that such alterations can be made without subsequential changes being necessary to specifications already agreed. All trademarks in this material are the property of the respective companies. Secop and the Secop logotype are trademarks of Secop GmbH. All rights reserved. [www.secop.com](http://www.secop.com)