

1 Working principle

The air of indoor sucked in by the cross flow fan of the air curtain, blown down to the floor at a high speed. And the downward airflow formed an invisible "wall".

The air curtain is usually installed on the upside of the door the window, when the door or the window is opened, the airflow of the air curtain could isolate the air of the indoor side and outdoor side effectively. Thus the cool air leaking of the indoor side can be reduced, and can prevent the mosquitoes and dust from entering into the room as well.

The length of air curtain should be consonance with the width of the door or the window, put two sets of unit or more side by side to cover the width of the door or window entirely.

In order to obtain more effective efficiency, the air outer of the air curtain should be paralleled with the door head, ensure that the speed of airflow which arrived at the floor should be more than 2.5meters/sec.

2 Specification

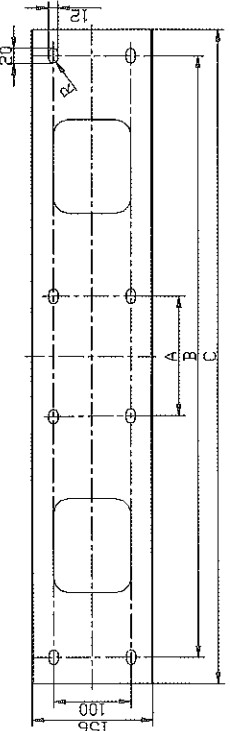
Model	Length (mm)	Diameter of impeller(mm)	Power supply	Power input(W)	Noise dB(A)	Weight (kg)	WxDxH (mm×mm×mm)
FM-1.25-9-K	900	125	220-230V~50Hz/60Hz	110	59	16	900×206×215
FM-1.25-12-K	1200	125	220-230V~50Hz/60Hz	140	61	20	1200×206×215

3 Installation

The installing location should be firm enough, free of vibration. The unit cannot be installed in the damp or the water-leaking place and should avoid the directly lighting of sunlight.

Installation method:

- (1) Take out the wall-mounted frame, put it attach to the wall, to confirm the installation position of the bolt hole and to make the mark on it.
- (2) To drill the expansion bolt hole on the marked position.
- (3) To fix the wall-mounted frame on the wall with 8pcs M10 expansion bolt, the installation must be firm and reliable.
- (4) Hang the unit on the wall-mounted frame, and screw down the 4pcs bolt under the unit.
- (5) To check whether the unit is well installed, the body level and plugged in.
- (6) The dimension diagram for hole position of wall-mounted frame was shown in below (Unit:mm):

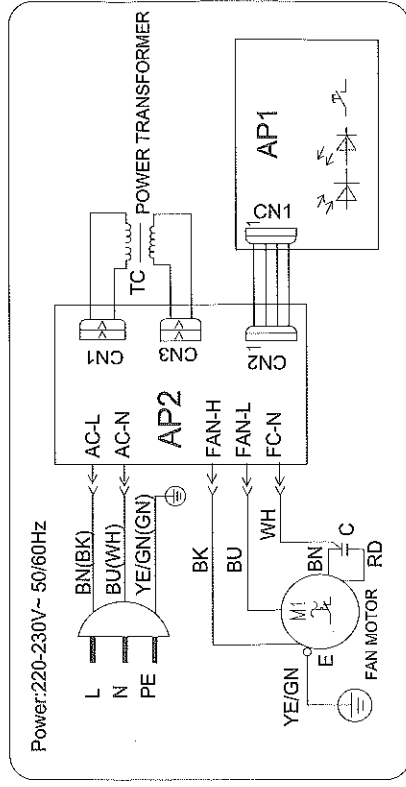


Model	A	B	C
FM-1.25-9-K	160	800	870
FM-1.25-12-K	160	1100	1170

Notes:

- (1) Please install unit on the indoor side.
- (2) Do not install or use the unit in place where:
 - 1) Freezing may occur.
 - 2) Steam is produced.
 - 3) Remarkable dust is produced.
 - 4) Oil smoke is produced.
 - 5) Explosive dust or gas exist.
 - 6) Corrosive gas is produced.
 - 7) It is splashed by water.
- (3) Please install the unit horizontally, make the air outlet downward vertically.
- (4) Install the unit in sturdy place free of vibration.
- (5) In order to prevent accident of electric shock, make sure that earthed well.
- (6) Provide an electric leakage breaker and air-break switch should be installed at the power supply side.
- (7) The Air Curtain is to be installed so that the blades are more than 2.3m above the floor.
- (8) The place where the AIR CURTAIN is to be installed must be taken to avoid the black flow of gases into the room from the open flue of gas or other fuel-burning appliance.
- (9) It is necessary to have the plug accessible after installation.
- (10) The minimum distance between the various parts of the appliance and the surrounding structure is 300mm.

4 Circuit diagram



5 Trial running and troubleshooting

When plugged in, to press the ON/OFF button of the control panel, the unit will run at high-speed. When pressing the HI or LOW button of the control panel, the unit will be switched over from the high-speed running to the low-speed running. When pressing the ON/OFF button of the wireless remote control, the unit will be switched over from the high-speed running to the low-speed running.

If the unit can not operated, please check below.

- 1) Whether the power supply is well connected.
- 2) Whether the batteries of wireless remote control has electricity, if not please replace the batteries.

6 Maintenance

If the supply cord is damaged, it must be replaced by the manufacture, its service agent or similarly qualified persons in order to avoid a hazard.

When cleaning the unit, make sure to pull the plug out. Please wipe the body by soft cloth, clean the unit inside by the vacuum cleaner. Add oil to lubricate the bearing of the fan motor once a year at least.

GREE ELECTRIC APPLIANCES, INC. OF ZHUHAI

Add: West Jinji Rd, Qianshan, Zhuhai, Guangdong, China, 519070
Tel: (+86-756) 8522218 Fax: (+86-756) 8669426
E-mail: gree@gree.com.cn www.gree.com

