



HENRY
TECHNOLOGIES

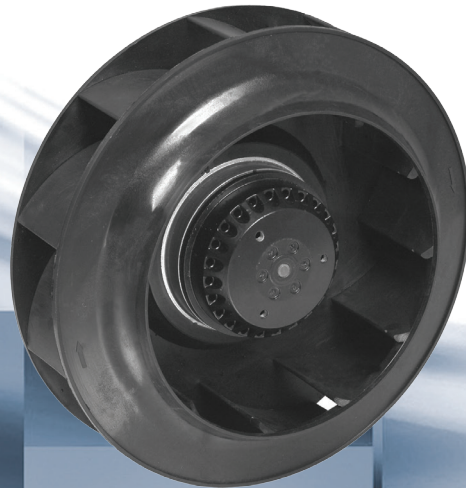
Flexible Fan Solutions

AC & EC Fan Motors
Meeting ErP performance standards

eQ series
EC type
2 – 34W



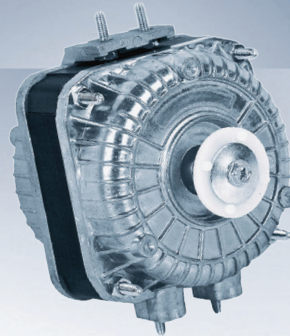
CF & eCF Series
AC & EC Centrifugal
Sizes 200 - 500



AF & eAF Series
AC & EC Axial
Sizes 200 - 800



SPQ series
Shaded Pole
5 - 34W



FLEXIBLE FAN SOLUTIONS - PRODUCT RANGE

SHADED POLE Q TYPE AC MOTORS



Multi-mount in popular sizes 5 to 34W
SPQ Series | Page 2

EC Q FAN MOTOR



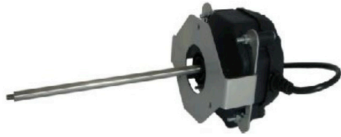
Multi-mount in 2 sizes to replace
9 Shaded Pole type
eQ1 Series | Page 3

EC MINI FAN PACK



EC Motor/Fan/Ring Mount replaces
up to 25W Shaded Pole Type
eQ-MFP Series | Page 4

EC AGITATOR MOTOR



EC Motor/Mount/Shaft replaces
Shaded Pole type
eQ1-A Series | Page 5

AXIAL AC FAN MOTORS



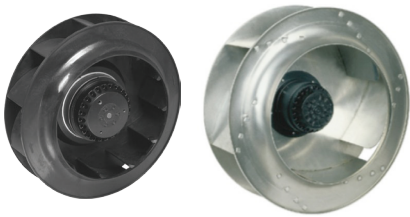
Sizes 250 to 800 in Grille and
Square Mounts
AF Series | Page 6

AXIAL EC FAN MOTORS



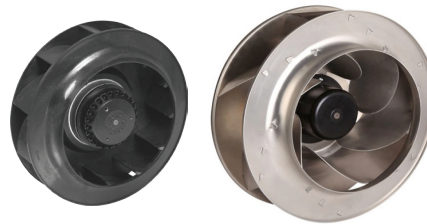
Sizes 250 to 450 in Grille Mount fixed and
0-10Vdc variable speed
EAF Series | Page 9

CENTRIFUGAL AC FAN MOTORS



Size 133 to 500
Choice 2, 4 & 6 pole speed
CF Series | Page 11

CENTRIFUGAL EC FAN MOTORS



Size 133 to 400
Fixed and 0-10Vdc variable speed
CEF Series | Page 13

COMPACT AXIAL AC FAN MOTOR



Square and round configurations
Quiet operation in popular sizes
CAF Series | Page 15

CROSS FLOW FAN MOTORS EC

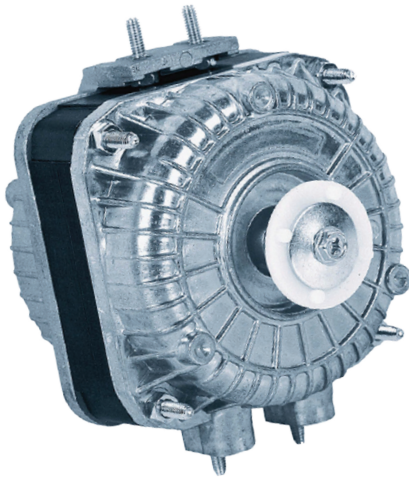


Motor and impeller in EC
Single and 2 speed sizes
CFEC Series | Page 17

ACCESSORIES SP & EC



Fans, mountings to suit all sizes
SP & EC motors
Accessories | Page 18



Multi - Mount in popular sizes 5 to 34W.

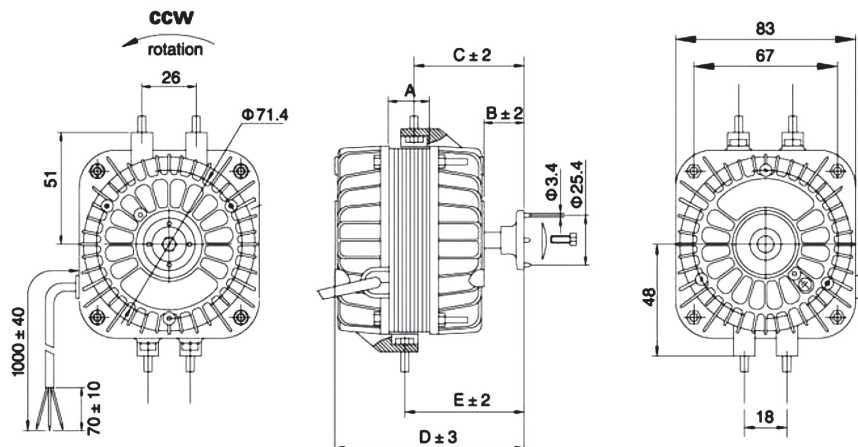
Specifications:

- Multi-mount - front / back / top / bottom M4 mounts , 14 points
- Rated at 30,000 hours continuous running, S1 rated
- Power lead 1 meter , 3 core
- Mounting nuts, washers & screws provided
- Protection IP42
- Operating temperature range -30 to +50°C
- Insulation class B
- CE, VDE,UL, CCC approved

Henry Part Number	Output Watts W	Power input W (Rated)	Current amps	Speed rpm	Air flow m ³ /hr	Fan blade mm	Rated supply VSC/Hz	Weight kg
SPQ-5-13-18/26	5	29	0.20	1300	455	Ø200	220-240/50	0.80
SPQ-10-20-18/26	10	36	0.25	1300	650	Ø230	220-240/50	1.10
SPQ-16-25-18/26	16	60	0.45	1300	760	Ø230	220-240/50	1.40
SPQ-25-40-18/26	25	90	0.70	1300	1030	Ø300	220-240/50	1.80
SPQ-34-45-18/26	34	110	0.85	1300	1210	Ø300	220-240/50	2.00

Dimensions:

Henry Part Number	Output Watts W	A mm	B mm	C mm	D mm	E mm
SPQ-5-13-18/26	5	13	15	46	82	45
SPQ-10-20-18/26	10	19	15	46	88	51
SPQ-16-25-18/26	16	25	14	45	94	56
SPQ-25-40-18/26	25	40	18	49	113	75
SPQ-34-45-18/26	34	45	22	53	122	84





Multi - Mount EC in 2 sizes to replace 9 Shaded Pole type.

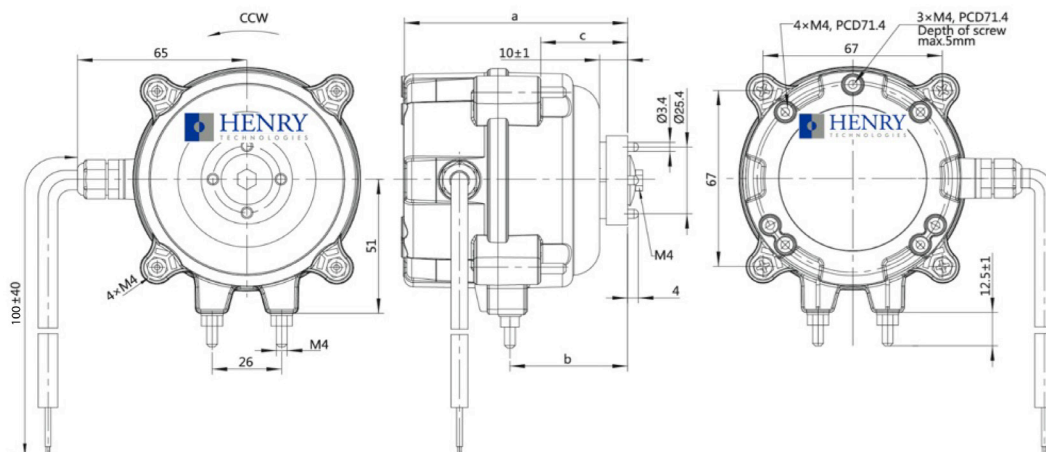
Specifications:

- Multi-mount - front / back / bottom M4 mounts 9 points
- Saves up to 75% energy use when replacing Shaded Pole type
- Two sizes replace 9 Shaded Pole sizes
- Rated at 50,000 hours continuous running, S1 rated
- Operating temperature range -30 to +50°C
- Maintenance free ball bearings ensure long service life
- Power lead 1 meter , 2 core
- Mounts nuts, washers & screws provided
- Class II insulation - no need for earth
- Protection class IP65
- Insulation class B
- CE, VDE,UL, CCC approved

Henry Part Number	Power output W (Rated)	Replaces Shaded Pole Sizes	Speed rpm	Current amps	Rated supply VSC/Hz	Weight kg
eQ1-12	12	2,5,7,10,12,16W	1300	0.21	230/50-60	0.85
eQ1-20	20	18,20,25,34W	1300	0.28	230/50-60	0.85

Dimensions:

Henry Part Number	Power output W (Rated)	A mm	B mm	C mm
eQ1-12	12	87	43.5	32.5
eQ1-20	20	95	43.5	32.5





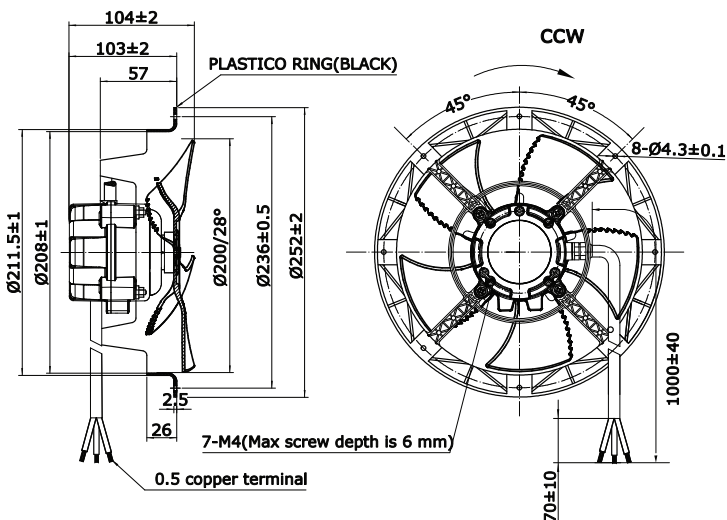
EC Fan Pack replaces up to 25W Shaded Pole type.

Specifications:

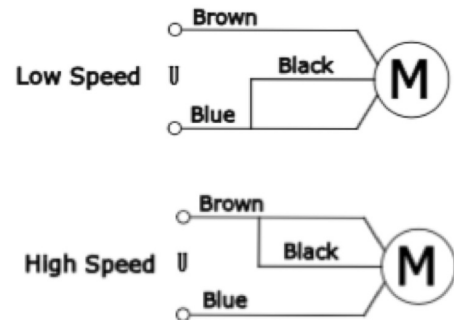
- EC Motor/Blade/Ring assembly, ensures quality/balance from Mfg. to installation
- EC Energy saving technology
- Low noise fluted fan blade
- High and Low speed built in
- IP65 protection
- Mounting options enable replacement of up to 9 size Shaded Pole type
- Class II insulation saves earthing costs
- -30 to +50°C operating ambient
- Maintenance free ball bearings ensure long service life
- CE, VDE,UL, CCC approved

Henry Part Number	Rotation	Low Speed - 1500 rpm			High Speed - 1900 rpm				Rated power supply	
		Air Volume m ³ /hr	Watts input W	Sound level db (A)	Current amps	Air Volume m ³ /hr	Watts input W	Sound level db (A)		Current amps
eQ1-MFP-1	CCW	525	12.4	48	0.21	727	23	CCW	55	220-240V/50-60 Hz

Dimensions:

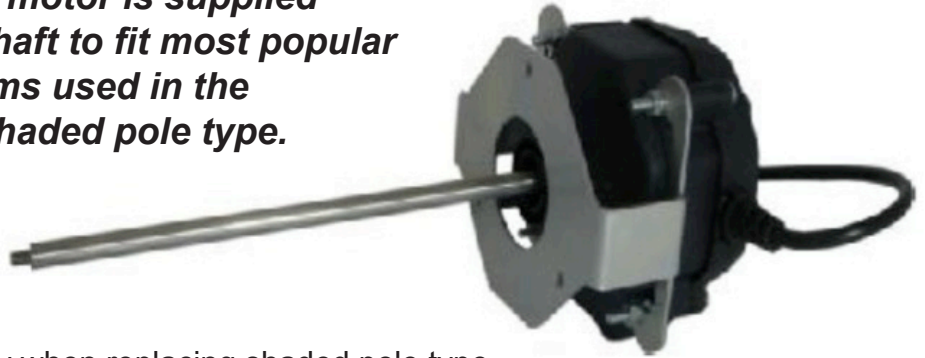


Wiring configuration:



AGITATOR EC MOTOR

The eQ series EC - Agitator motor is supplied with mounts and agitator shaft to fit most popular refrigerated ice bank systems used in the ANZ market - can replace shaded pole type.



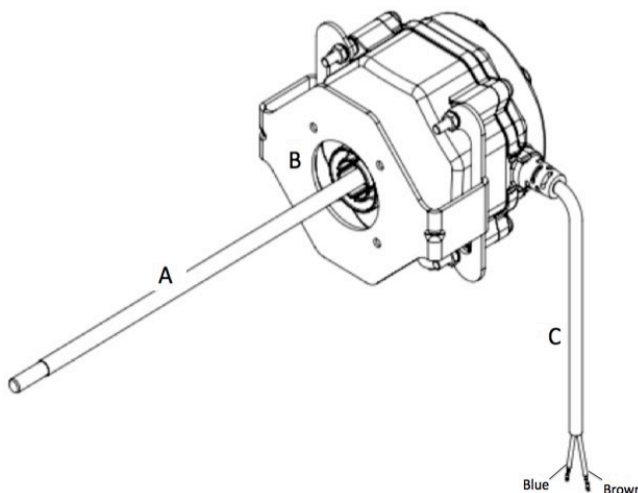
Specifications:

- EC motor saves over 75% energy when replacing shaded pole type
- Purpose designed for tough ice bank cooler bath operating conditions
- CE approved
- Rated 50,000 hours continuous running
- Power lead 750mm, 2 wire
- IP 55 protection
- Class II insulation
- Mounting flange front plate is M4 x 3 equally spaced at 54pcd
- Power cord is 750mm x 2 wire- single speed setting

Henry Part Number	Power output W (Rated)	Replaces Shaded Pole Sizes	Speed rpm	Rotation direction	Free shaft length mm	Current amps VAC/Hz	Weight kg
eQ1-A-12	12	5,7,10,12,16W	1300	CCW	201 & M4 end	0.21	0.85

Dimensions:

A	B	C
Free shaft length	Mounting plate	Power cord
201 mm	M4 x 3 equally spaced	750mm





The AF series is provided pre-wired to mounted terminal box and has grille & flat plate to replace most popular brands.

Stocked in 1 & 3 phase models used on evaporator and condenser applications.

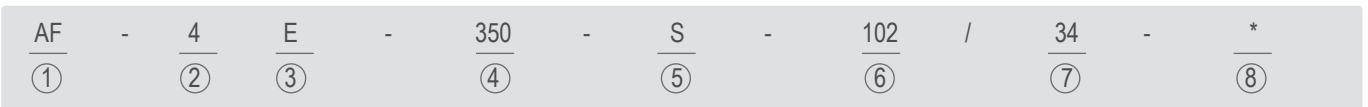
Specifications:

- Grille and Flat Plate mounting matches popular brands with matching air volumes for direct replacement
- Choice of 4 and 6 pole speeds
- Terminal box configuration ensure safe and convenient wiring connection
- Operating temperature from -30 to +60°C covers majority of applications
- Maintenance free ball bearings ensure long service life
- Motor, guard and fan blade surface coated with corrosion resistant material
- Standard air direction sucking (CCW) over motor, blowing (CW) also available
- Meets ErP2015 EU performance efficiency standards
- CE, VDE , RoHS approvals

AXIAL FAN MOTORS - AC/AF TYPE

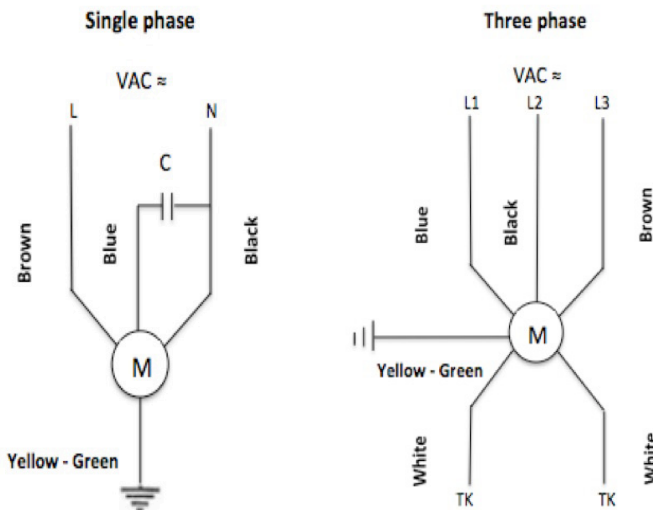
Axial Fan Diam.	Henry Part Number Grille type mount	Henry Part Number Flat Plate type mount	Poles number	Rated supply VAC/Hz	Air flow m ³ /hr	Air direction	Speed rpm	Power input W (rated)	Current amps	Capacitor uF	Sound pressure dBA@1M	Net weigh kg
250	AF-4E-250S-92/25-G	AF-4E-250S-92/25-B	4	220/50	825	CCW	1380	50	0.23	2	55	2.50
300	AF-4E-300S-92/25-G	AF-4E-300S-92/35-B	4	220/50	1845	CCW	1380	85	0.42	3	60	3.00
350	AF-4E-350S-102/34-G1	-	4	220/50	2450	CCW	1400	64	0.65	4	64	5.00
350	AF-4E-350S-102/34-G2	-	4	220/50	2450	CCW	1400	64	0.65	4	64	5.00
350	AF-6E-350S-102/34-G	-	6	220/50	1615	CCW	920	80	0.68	3	56	5.00
400	AF-4E-400S-P102/47-G	-	4	220/50	3955	CCW	1380	180	0.82	6	67	6.00
450	AF-4D-450S-P102/60-G	-	4	380/50	5415	CCW	1350	250	0.55	/	69	8.00
450	AF-4E-450S-P102/60-G	-	4	220/50	5365	CCW	1350	250	1.15	8	69	8.00
450	AF-6E-450S-P102/60-G	-	6	220/50	3775	CCW	920	138	0.75	6	61	8.00
500	AF-4D-500S-P137/35-G	AF-4D-500S-P137/35-B	4	380/50	7395	CCW	1300	414	0.85	/	71	9.00
500	AF-4E-500S-P137/35-G	AF-4E-500S-P137/35-B	4	220/50	7155	CCW	1320	380	1.85	10	71	9.00
500	AF-6D-500S-P137/35-G	AF-6D-500S-P137/35-B	6	380/50	5840	CCW	900	414	0.55	/	66	9.00
500	AF-6E-500S-P137/35-G	AF-6E-500S-P137/35-B	6	220/50	5705	CCW	900	230	1.05	10	66	9.00
550	AF-4E-550S-P137/50-G	-	4	220/50	8220	CCW	1320	520	2.4	12	75	9.00
550	AF-6E-550S-P137/50-G	-	6	220/50	5920	CCW	940	250	0.77	/	70	9.00
560	AF-6D-560S-145/65-G	AF-6D-560S-P145/65-B	6	380/50	8050	CCW	900	380	1.3	/	72	9.00
560	AF-6E-560S-145/65-G	AF-6E-560S-P145/65-B	6	220/50	7910	CCW	900	500	2.3	12	72	18.00
630	AF-6D-630S-P137/70-G	AF-6D-630S-P137/70-B	6	380/50	11785	CCW	900	550	1.45	/	71	15.00
630	AF-6E-630S-P137/70-G	-	6	380/50	11785	CCW	900	550	1.45	/	71	15.00
710	AF-6D-710S-P180/75-G	AF-6D-710S-P180/75-B	6	380/50	15120	CCW	900	900	1.9	/	73	30.00
800	AF-6D-800S-P180/75-G	AF-6D-800S-P180/75-B	6	380/50	20695	CCW	920	1200	2.85	/	75	35.00

Nomenclature:



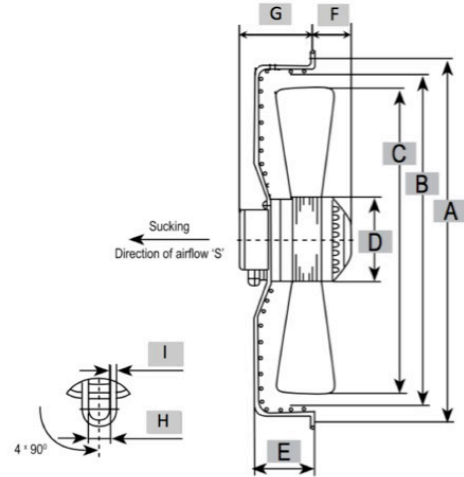
- ① Axial Fan running with an AC induction external rotor motor
- ② Number of Poles
- ③ E - Single phase with operating capacitor, D - 3 phase motor
- ④ Fan Blade diameter
- ⑤ Direction of air flow: S-Sucking, B-Blowing
- ⑥ Diameter of rotor
- ⑦ Thickness of laminated core
- ⑧ Variable fan motor characteristics:
 G-Grid, B-Square Frame, T-Cylinder, R - Round Frame
 E-Insulation class IP54, J - Special for air cooler

Electrical connections AC:



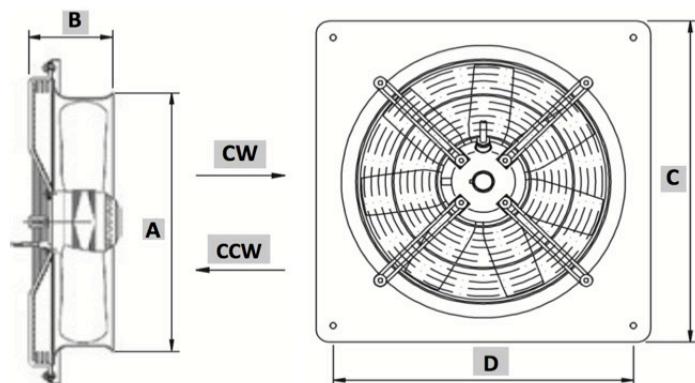
Dimensions - Grille style:

Axial Fan Diam.	Henry Part Number Grille type mount	A mm	B mm	C mm	D mm	E mm	F mm	G mm	H mm	I mm
250	AF-4E-250S-92/25-G	320	275	250	92	60	20	-	7	4
300	AF-4E-300S-92/25-G	360	320	300	92	80	36	30	7	4
350	AF-4E-350S-102/34-G1	420	370	350	102	80	53	110	18	5
350	AF-4E-350S-102/34-G2	442	370	350	102	70	53	110	7	5
350	AF-6E-350S-102/34-G	422	370	350	102	80	53	110	9.5	5
400	AF-4E-400S-P102/47-G	470	420	400	102	90	56	120	9.5	5
450	AF-4D-450S-P102/60-G	522	470	450	102	90	69	120	9.5	6
450	AF-4E-450S-P102/60-G	522	470	450	102	90	69	120	9.5	6
450	AF-6E-450S-P102/60-G	522	470	450	102	90	69	120	9.5	6
500	AF-4D-500S-P137/35-G	570	520	500	137	90	63	110	10.5	6
500	AF-4E-500S-P137/35-G	570	520	500	137	90	63	110	10.5	6
500	AF-6D-500S-P137/35-G	570	520	500	137	90	63	110	10.5	6
500	AF-6E-500S-P137/35-G	570	520	500	137	90	63	110	10.5	6
550	AF-4E-550S-P137/50-G	622	570	550	137	100	68	110	10.5	6
550	AF-6E-550S-P137/50-G	622	570	550	137	100	68	110	10.5	6
560	AF-6D-560S-145/65-G	750	650	560	153	100	80	130	10.5	7.5
560	AF-6E-560S-145/65-G	750	650	560	153	100	80	130	10.5	7.5
630	AF-6D-630S-P137/70-G	750	650	630	137	100	88	130	10.5	7.5
630	AF-6E-630S-P137/70-G	750	650	630	137	100	88	130	10.5	7.5
710	AF-6D-710S-P180/75-G	840	770	703	180	120	71	175	13	10
800	AF-6D-800S-P180/75-G	920	857	784	180	120	71	175	13	10



Dimensions - Flat plate style:

Axial Fan Diam.	Henry Part Number Flat plate	A mm	B mm	C mm	D mm
250	AF-4E-250S-92/25-BO	280	90	370	320
300	AF-4E-300S-92/35-BO	325	90	430	380
500	AF-4D-500S-P137/35-BO	510	175	615	655
500	AF-4E-500S-P137/35-BO	510	175	615	655
500	AF-6D-500S-P137/35-BO	510	175	615	655
500	AF-6E-500S-P137/35-BO	510	175	615	655
560	AF-6D-560S-P145/65-BO	585	175	725	670
560	AF-6E-560S-P145/65-BO	585	175	725	670
630	AF-6D-630S-P137/70-BO	645	125	805	750
710	AF-6D-710S-P180/75-BO	722	265	850	810
800	AF-6D-800S-P180/75-BO	830	265	970	910



AXIAL FAN MOTORS - EC-EAF TYPE



Sizes 250 to 450 in Grille mount 0-10Vdc variable speed capability.

Specifications:

- Saves 30-40% energy over AC type
- ECM technology with intelligent capability
- Variable speed through 0-10 Vdc signal
- Operating temperature -25 to 65°C
- Maintenance free ball bearings, 50,000 hour rating
- Temperature protected by electronics
- Insulation class B
- S1 continuous running mode rating
- Meets CE, CCC RoSh approval and ErP2015 compliant

Axial Fan Diam.	Henry Part Number Grille style	Speed set-up	Operating voltage V	Frequency Hz	Air volume m ³ /hr	Air direction	Speed rpm	Power input W	Current draw A	Sound pressure at 1m db(A)	Approx. weight kg
250	AEC-250-0/10-G	0-10VDC/PWM	200-277	50/60	2100	CCW	3000	160	1.2	79	3.9
300	AEC-300-0/10-G	0-10VDC/PWM	200-277	50/60	2400	CCW	1800	100	0.8	120	4.2
350	AEC-350-0/10-G	0-10VDC/PWM	200-277	50/60	3500	CCW	1550	150	1.2	67	4.4
400	AEC-400-0/10-G	0-10VDC/PWM	200-277	50/60	5500	CCW	1700	300	2.5	84	6.9
450	AEC-450-0/10-G	0-10VDC/PWM	200-277	50/60	6000	CCW	1300	330	2.1	64	7.6

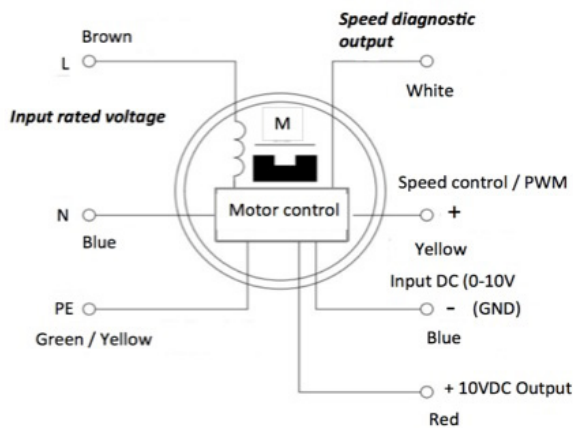
**NOTE: Nominal Data at Max Load

Nomenclature:

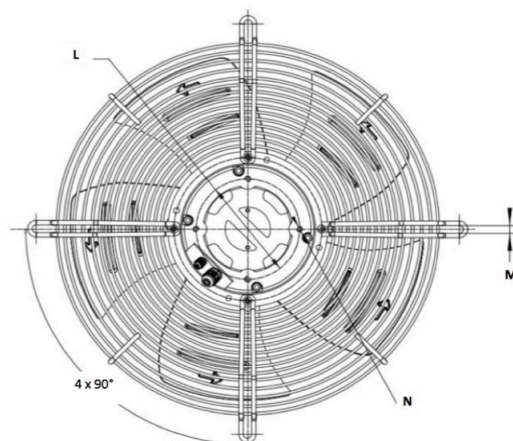
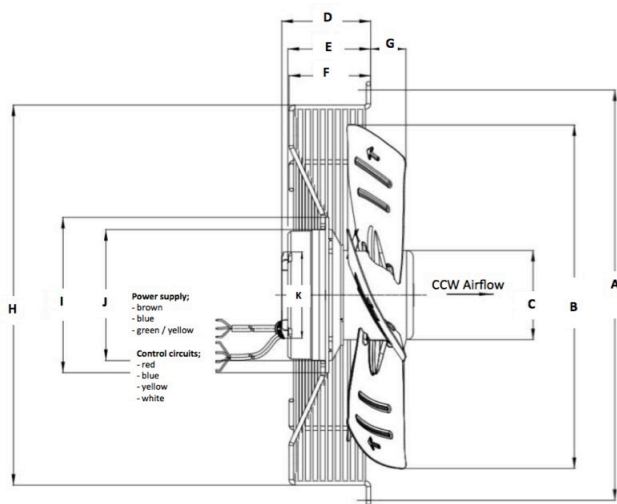
AEC	300	0/10	-	2S	-	G
①	②	③		④		⑤

- ① Axial EC Fan motor
- ② Diameter of Axial Fan
- ③ Control voltage 0-10VDC/PWM
- ④ Two - 2 speed motor configuration
- ⑤ Fan surround type - G grille type

Electrical connections AC:



Axial Fan diam.	Henry Part Number Grille style	A mm	B mm	C mm	D mm	E mm	F mm	G mm	H mm	I mm	J mm	K mm	L mm	M mm	N mm
250	AEC-250-0/10-G	Ø300	Ø251	Ø92	71	43	41	17	Ø281	Ø133	Ø115	Ø76.2	Ø58	4.2	4xM4 & 6mm deep
300	AEC-300-0/10-G	Ø360	Ø300	Ø92	83	79.5	65	26.5	Ø345	Ø133	Ø115	Ø76.2	Ø90	4.2	4xM4 & 6mm deep
350	AEC-350-0/10-G	Ø422	Ø352	Ø92	90	83	83	48	Ø390	Ø133	Ø115	Ø76.2	Ø90	6.4	4xM4 & 6mm deep
400	AEC-400-0/10-G	Ø470	Ø392	Ø102	98	92	90	49	Ø430	Ø178	Ø150	Ø100	Ø115	9	4xM6 & 6mm deep
450	AEC-450-0/10-G	Ø552	Ø446	Ø102	98	92	90	53	Ø492	Ø178	Ø150	Ø100	Ø115	9	4xM6 & 6mm deep



CENTRIFUGAL FAN MOTORS - AC-CF TYPE



The CF series is provided pre-wired common mount to replace most popular brands.

Specifications:

- Common mounting with matching air volumes for direct replacement of popular brands
- Choice of 2,4 and 6 pole speeds
- IP44 Protection
- Operating temperature from -30 to +60°C covers most applications
- Maintenance free ball bearings ensure long service life
- Impellers - PA plastic & aluminium - depending on size
- Power lead 1000mm
- Standard air direction blowing CW
- Meets ErP2015 EU performance efficiency standards
- CE, VDE , RoHS approvals

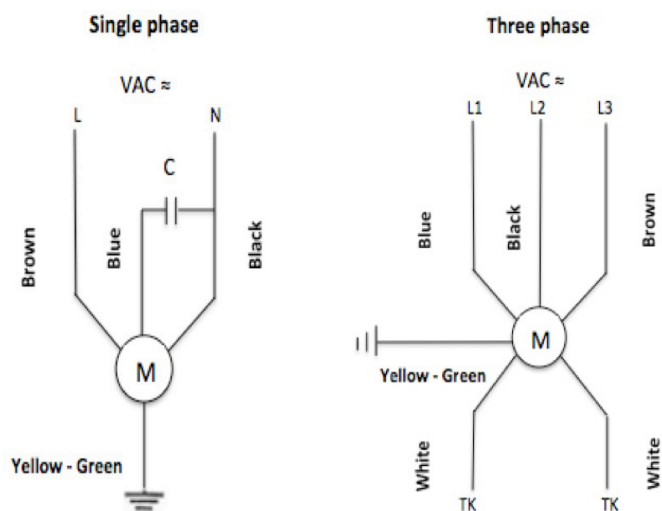
Axial Fan Diam.	Henry Part Number Backward Centrifugal	Number of poles	Operating voltage V	Frequency Hz	Air Direction	Nominal data at ML	Speed rpm	Power output W	Current draw A	Capacitor uF	Sound press. at 1m db(A)	Perm. Amb. Temp. °C	Approx. Weight kg
133	CFB2E-133/42/P72	2	220	50	CW	ML	2550	26	0.12	1	50	-	1.0
180	CFB2E-180/30/30/X92	2	220	50	CW	ML	2500	50	0.25	2	63	-	1.5
190	CFB2E-190/44/P92	2	220	50	CW	ML	2440	56.5	0.25	2	67	-	1.5
220	CFB2E-220/44/P92	2	220	50	CW	ML	2500	81	0.37	3	65	-	2
225	CFB2E-225/62/P92	2	220	50	CW	ML	2640	138	0.63	4	68	-	2.5
250	CFB2E-250/57/P92	2	220	50	CW	ML	2480	160	0.72	4	70	-	3
280	CFB2E-280/50/M92/42	2	380	50	CW	ML	2350	220	0.4	/	75	-	4
280	CFB2E-280/50/M92/45	2	220	50	CW	ML	2510	250	1.17	4	75	-	4
315	CFB4E-315/100/M102/34	4	220	50	CW	ML	1380	130	0.6	4	64	-	4
355	CFB4E-355/100/M102/47	4	220	50	CW	ML	1380	170	0.78	6	67	-	4.5
400	CFB4E-400/100/M102	4	220	50	CW	ML	1380	240	1.1	8	68	-	5.5
450	CFB4E-450/160/M137	4	220	50	CW	ML	1300	510	2.35	12	76	-	9.5
500	CFB6D-500/180/M180	6	380	50	CW	ML	910	260	0.5	/	70	-	20

Nomenclature:

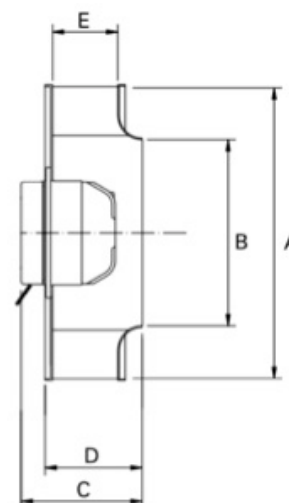
CFB	2	E	-	220	/	44	/	P92	*
①	②	③		④		⑤		⑥	⑦

- ① Centrifugal backwards curve AC Fan motor
- ② Motor poles
- ③ E-Single phase D-Three phase
- ④ Diameter of impeller
- ⑤ Diameter of rotor
- ⑥ Thickness of laminated core
- ⑦ Special adaptations

Electrical connections AC:



Axial Fan Diam.	Henry Part Number Backward Centrifugal	A mm	B mm	C mm	D mm
133	CFEB2E-133/42-P72/15	133	94	77.5	42
180	CFEB2E-180/30-X92/15	180	133	30	36
190	CFB2E-190/44-P92/15	190	133	68.5	63
220	CFB2E-220/44-P92/25	220	162	71	64
225	CFB2E-225/62-P92/35	225	153	99	95
250	CFB2E-250/57-P92/35	250	175	93	79
280	CFB2D-280/50-M92/42	280	189	103	80
280	CFB2E-280/50-M92/45	280	189	103	80
315	CFB4E-315/100-M102/34	315	220	161	104
355	CFB4E-355/100-M102/47	355	248	168	104
400	CFB4E-400/100-M102/60	400	267	175	146
450	CFB4E-450/160-M137/50	450	298	258	219
500	CFB6D-500/180-M180/75	500	332	290	242



CENTRIFUGAL FAN MOTORS - EC-CEF TYPE



The ECCBE series is provided pre-wired common mount to replace most popular brands in EC Energy saving configuration.

Specifications:

- Saves 30-40% energy over AC type
- ECM technology with intelligent capability
- Variable speed through 0-10 Vdc signal
- Operating temperature from -25 to +60°C
- Maintenance free ball bearings, 50,000 hour rating
- Temperature protected by electronics
- Impellers - PA plastic & aluminium - depending on size
- Insulation class B
- Standard air direction blowing CW
- S1 continuous running mode rating
- Meets CE, CCC RoSh approval and ErP2015 compliant

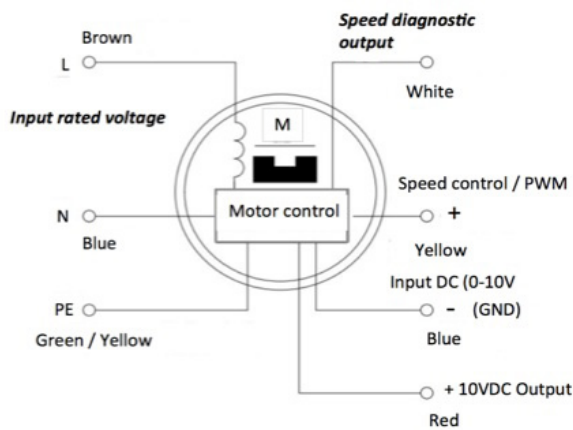
Cent. Fan. diam.	Henry EC Part Number Backward Centrifugal	Speed Set-up variable	Rotation direction	Rated voltage V	Operating Voltage V	Frequency Hz	Air Volume m ³ /hr	Nominal data at ML	Speed rpm	Power input W	Current draw A	Sound press at 1m db(A)	Perm. Amb. Temp. °C	Approx. Weight kg
133	ECCBE-133/61P1	0-10VDC/PWM	CW	230	200-277	50/60	430	ML	4480	43	≤0.34	75	-	1.80
175	ECCBE-175/62P1	0-10VDC/PWM	CW	230	200-277	50/60	720	ML	4070	78	≤0.64	72	-	1.23
190	ECCBE-190/63P1	0-10VDC/PWM	CW	230	200-277	50/60	750	ML	3320	71	≤0.54	72	-	1.29
220	ECCBE-220/64P1	0-10VDC/PWM	CW	230	200-277	50/60	960	ML	2700	62	≤0.54	72	-	1.40
225	ECCBE-225/90P1	0-10VDC/PWM	CW	230	200-277	50/60	950	ML	2200	82	≤0.70	71	-	1.43
250	ECCBE-250/74P1	0-10VDC/PWM	CW	230	200-277	50/60	1300	ML	2760	123	≤0.96	71	-	2.20
280	ECCBE-280/112S1	0-10VDC/PWM	CW	230	200-277	50/60	2020	ML	1910	130	≤1.07	72	-	2.90
310	ECCBE-310/108A1	0-10VDC/PWM	CW	230	200-277	50/60	2250	ML	1865	134	≤1.07	65	-	2.80
310	ECCBE-310/139A1	0-10VDC/PWM	CW	230	200-277	50/60	2580	ML	1720	162	≤1.28	65	-	2.90
310	ECCBE-310/108A1-G2	0-10VDC/PWM	CW	230	200-277	50/60	3000	ML	2600	510	≤3.4	78	-	5.30
310	ECCBE-310/139A1-G2	0-10VDC/PWM	CW	230	200-277	50/60	3400	ML	2300	500	≤3.2	75	-	5.70
355	ECCBE-355/147A1	0-10VDC/PWM	CW	230	200-277	50/60	3600	ML	1950	440	≤2.8	76	-	6.20
355	ECCBE-355/171A1	0-10VDC/PWM	CW	230	200-277	50/60	3700	ML	1750	420	≤2.7	73	-	6.50
400	ECCBE-400/141A1	0-10VDC/PWM	CW	230	200-277	50/60	3500	ML	1500	390	≤2.7	73	-	6.70
400	ECCBE-400/163A1-01	0-10VDC/PWM	CW	230	200-277	50/60	3600	ML	1400	390	≤2.7	72	-	7.10
400	ECCBE-400/163A1-02	0-10VDC/PWM	CW	230	200-277	50/60	3800	ML	1500	420	≤2.8	74	-	7.10

Nomenclature:

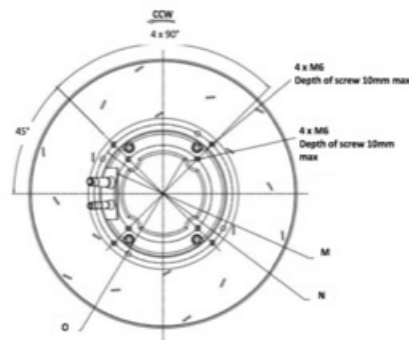
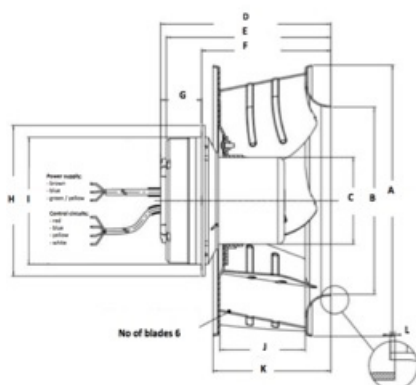


- ① EC Centrifugal backward Fan motor
- ② Diameter of impeller
- ③ Motor diameter
- ④ P-Plastic, S-Aluminium impeller

Electrical connections AC:



Cent. Fan. diam.	Henry Part Number EC Centrifugal type	A mm	B mm	C mm	D mm	E mm	F mm	G mm	H mm	I mm	J mm	K mm	L mm	M mm	N mm	O mm
133	ECCBE-133/61P1	Ø133	Ø93	Ø72	110	84	-	26	Ø115	Ø92	41	61	2	Ø58	Ø105	-
175	ECCBE-175/62P1	Ø175	Ø131	Ø72	95	69	-	26	Ø115	Ø92	42	62	2	Ø58	Ø105	-
190	ECCBE-190/63P1	Ø190	Ø131	Ø72	95	69	-	26	Ø115	Ø92	45	63	2	Ø58	Ø105	-
220	ECCBE-220/64P1	Ø220	Ø159	Ø72	97	71	-	26	Ø115	Ø92	44	64	2	Ø58	Ø105	-
225	ECCBE-225/90P1	Ø225	Ø154	Ø72	111	85	-	26	Ø115	Ø92	49	90	2	Ø58	Ø105	-
250	ECCBE-250/74P1	Ø250	Ø172	Ø92	125	122	93	33	Ø133	Ø115	45	74	2	Ø125	Ø90	Ø79
280	ECCBE-280/112S1	Ø281	Ø191	Ø92	158	154	125	33	Ø133	Ø115	80	112	2	Ø125	Ø90	Ø79
310	ECCBE-310/108A1	Ø318	Ø220	Ø92	153	150	120	33	Ø133	Ø115	70	108	2	Ø125	Ø90	Ø79
310	ECCBE-310/139A1	Ø318	Ø220	Ø92	153	150	120	33	Ø133	Ø115	70	108	2	Ø125	Ø90	Ø79
310	ECCBE-310/108A1-G2	Ø318	Ø220	Ø92	153	150	120	33	Ø133	Ø115	70	108	2	Ø125	Ø90	Ø79
310	ECCBE-310/139A1-G2	Ø318	Ø220	Ø92	186	184	154	33	Ø133	Ø115	100	139	2	Ø125	Ø90	Ø79
355	ECCBE-355/147A1	Ø360	Ø250	Ø102	206	200	158	48	Ø178	Ø150	96	146	2	Ø115	Ø164	Ø100
355	ECCBE-355/171A1	Ø360	Ø250	Ø102	230	224	183	47	Ø178	Ø150	171	120	2	Ø115	Ø164	Ø100
400	ECCBE-400/141A1	Ø404	Ø268	Ø102	204	198	157	48	Ø178	Ø150	90	141	2	Ø115	Ø164	Ø100
400	ECCBE-400/163A1-01	Ø404	Ø268	Ø102	227	221	180	48	Ø178	Ø150	Ø113	163	2	Ø155	Ø164	Ø164
400	ECCBE-400/163A1-02	Ø404	Ø268	Ø102	227	221	180	48	Ø178	Ø150	Ø113	163	2	Ø155	Ø164	Ø164



COMPACT AXIAL FAN MOTORS - AC TYPE

SQUARE & ROUND



The compact Axial range is available in a wide range of sizes in both Square & Round frames.

Specifications:

- Housing and Fan material Aluminium & PA fan
- Direction of flow suction or CCW
- Sizes - Square 80,92 & 119, Round 172 & 213
- Long life Ball Bearings
- Ambient operating temperature -40/+50°C
- Connections , cable or terminal type
- Approvals CE,UL,CCC,RoHS

Square:

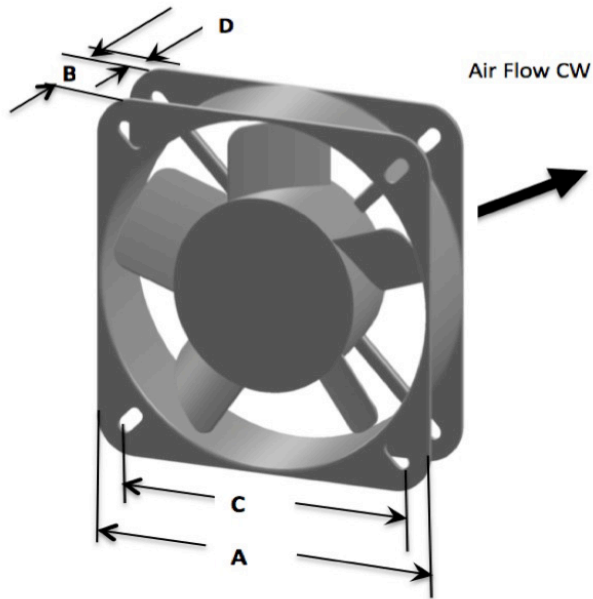
Henry Part Number	Case style shape & mm	Air flow direction	Volts/Freq. V/Hz	Air Vol m ³ /hr	Speed rpm@50hz	Input Watts W	Sound DBA@1m	Ambient Temp. °C	Weight kg
CAF-SQ-8038	Square 80x38	Suction / CCW	220-240	41	2400	16	31	-30/ +50	0.3
CAF-SQ-9225	Square 92x25	Suction / CCW	220-240	51	2300	11.5	32	-30/ +50	0.33
CAF-SQ-9238	Square 92x38	Suction / CCW	220-240	72	2300	17	32	-30/ +50	0.40
CAF-SQ-12025	Square 119x25	Suction / CCW	220-240	112	1950	12	38	-30/ +50	0.33
CAF-SQ-12038	Square 119x38	Suction / CCW	220-240	155	2600	20	40	-30/ +50	0.48

Round:

Henry Part Number	Case style shape & mm	Air flow direction	Volts/Freq. V/Hz	Air Vol m ³ /hr	Speed rpm@50hz	Input Watts W	Sound DBA@1m	Ambient Temp. °C	Weight kg
CAF-15050-1PH	Round 172 x 51	Suction / CCW	220-240	322	2600	36	45	-30/ +50	1
CAF-15050-3PH	Round 172 x 51	Suction / CCW	380/50	322	2700	36	45	-30/ +50	1
CAF-22060-1PH	Round 213 x 51	Suction / CCW	220-240	660	2200	56	56	-30/ +50	1.6
CAF-22060-3PH	Round 213 x 51	Suction / CCW	380/50	660	2400	56	56	-30/ +50	1.6

COMPACT AXIAL FAN MOTORS - AC TYPE

SQUARE & ROUND



Dimensions

Square:

Henry Part Number	Case style shape & mm	A mm	B mm	C mm	D mm
CAF-SQ-8038	Square 80x38	80	38.5	71.5	4
CAF-SQ-9225	Square 92x25	92	25.5	82.5	3.5
CAF-SQ-9238	Square 92x38	92	38	82.5	4
CAF-SQ-12025	Square 119x25	119	38	105	3.5
CAF-SQ-12038	Square 119x38	119	38	105	4

Round:

Henry Part Number	Case style shape & mm	A mm	B mm	C mm	D mm
CAF-15050-1PH	Round 172 x 51	172	51	162	3
CAF-15050-3PH	Round 172 x 51	172	51	162	3
CAF-22060-1PH	Round 213 x 51	223	61	213	4
CAF-22060-3PH	Round 213 x 51	223	61	213	4

Cross Flow EC Motor & Impellar fixed speed configuration.

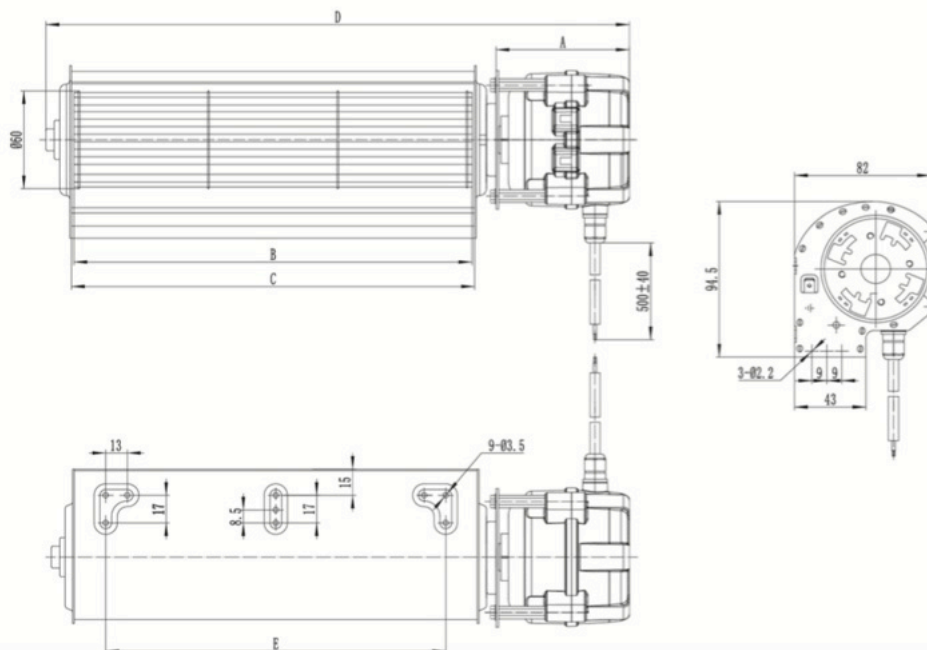
Specifications:

- Direct drive in 60mm diameter fan wheel
- Offered in 180,300,360 mm lengths
- High efficiency EC motor
- Operating temperature - 30°C to +50°C
- Long ball life bearings
- Protection class IP65
- Insulation Class B
- All materials conform to RoHS
- CE approved



Henry Part Number	Motor Type	Fan Dimensions mm	Fixed - Speed rpm	Operating Voltage V	Frequency Hz	Air Volume m ³ /hr	Max static Pa	Power Input W	Current amps
CFEC60-180	EC	60D x 180L	2300	230	50	132	10	7.7	0.07
CFEC60-300	EC	60D x 300L	2100	230	50	267	15	13.9	0.12
CFEC60-360	EC	60D x 360L	2400	230	50	342	25	21.1	0.18

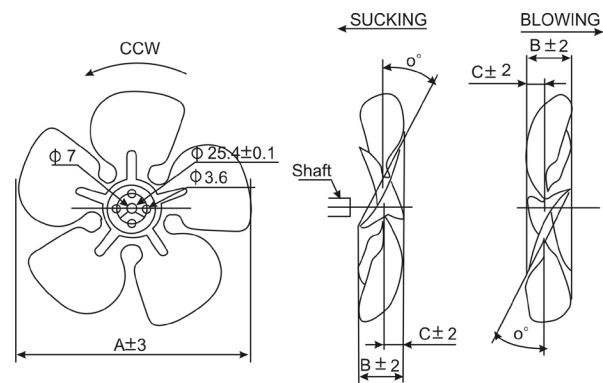
Henry Part Number	Motor Type	A mm	B mm	C mm	D mm	E mm
CFEC60-180	EC	80	180	184	285	153.5
CFEC60-300	EC	84	300	303	408	270.5
CFEC60-360	EC	84	360	363	468	330.5



Fans, Guards & mounting Brackets in vareity of sizes to suit Shaded Pole & EC motors

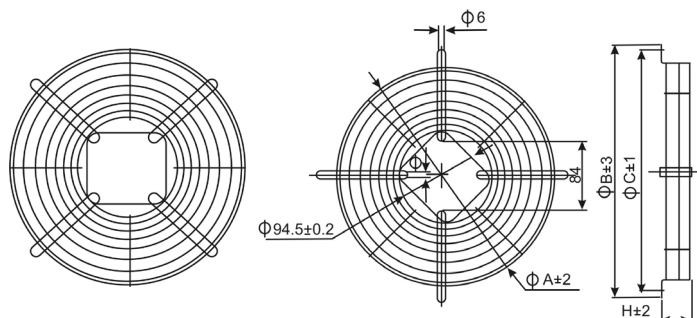
Fan Blade dimensions - mm - diameter / pitch / blade depth - Aluminium and Plastic

Fan Type	Fan Dia. A	19°		22°		25°		28°		31°		34°	
		B	C	B	C	B	C	B	C	B	C	B	C
Ø 154	154	23	12	26	13	29	15	32	17	36	18	39	21
Ø 172	172	25	13	28	14	31	16	34	17	38	18	41	21
Ø 200	200	27	14	30	15	33	17	36	19	40	21	43	24
Ø 230	230	30	15	33	16	36	19	39	21	42	20	45	23
Ø 250	250	31	15	34	16	37	19	40	20	43	21	45	22
Ø 254	254	32	15	35	16	38	18	41	20	44	22	47	23
Ø 300	300	31	16	35	17	41	22	44	22	48	25	52	27



Fan Guard dimensions - mm

Diameter Reference	Fan Diameter mm					
	Ø 154	Ø 172	Ø 200	Ø 230	Ø 254	Ø 300
A	170	188	214	246	270	324
B	202	220	248	278	302	356
C	190	208	236	266	290	344
H	11	11	25	27	17	17

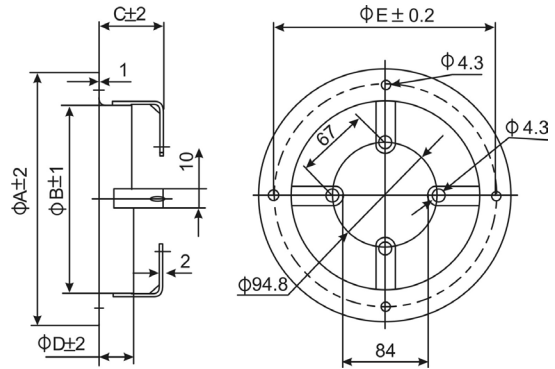


ACCESSORIES FOR SPQ & EQ FAN MOTORS

Wall Rings dimensions - mm

SUCKING

Size / diam.	ØA	ØB	C	D	ØE
Ø 154	200	162	49	25	190
Ø 172	223	180	49	25	208
Ø 200	246	208	49	25	236
Ø 230	278	238	49	25	266
Ø 254	300	268	49	25	290
Ø 300	378	308	49	25	365



Mounting Brackets - mm

Model	H	A	B	L1	L2	M
H39	39	78	100	14	-	-
H55	55	81	106	13	-	-
H72	72	81	106	13	-	-
H84	84	81	106	20	-	-
H92	92	81	106	14	-	-
H109-1	109	81	106	14	-	-
H109-2	109	78	106	14	39	21
H109-3	109	78	100	14	49	29

