



KIRBY® SEMI HERMETIC 2 Cylinder Basic Units

A quieter, more powerful range



Exclusively distributed by

KIRBY
A BEIJER REF Company

KIRBY® SEMI HERMETIC

2 Cylinder Basic Units

Introduction

Built smart, compact and tough the Kirby® Semi Hermetic 2 Cylinder Basic Unit range offers leading performance, efficiency, high durability and a quiet operation.

Powered by Dorin H Series compressors, Kirby® Semi Hermetic 2 Cylinder Basic Units achieve high C.O.P values and high motor efficiency is made possible through smart design principals. With ultimate reliability and ease of installation the Kirby® Basic Unit design is tailored for the most difficult projects, and is easily connected to remote aircooled condenser such as the Kirby® KRC.

Features & Benefits

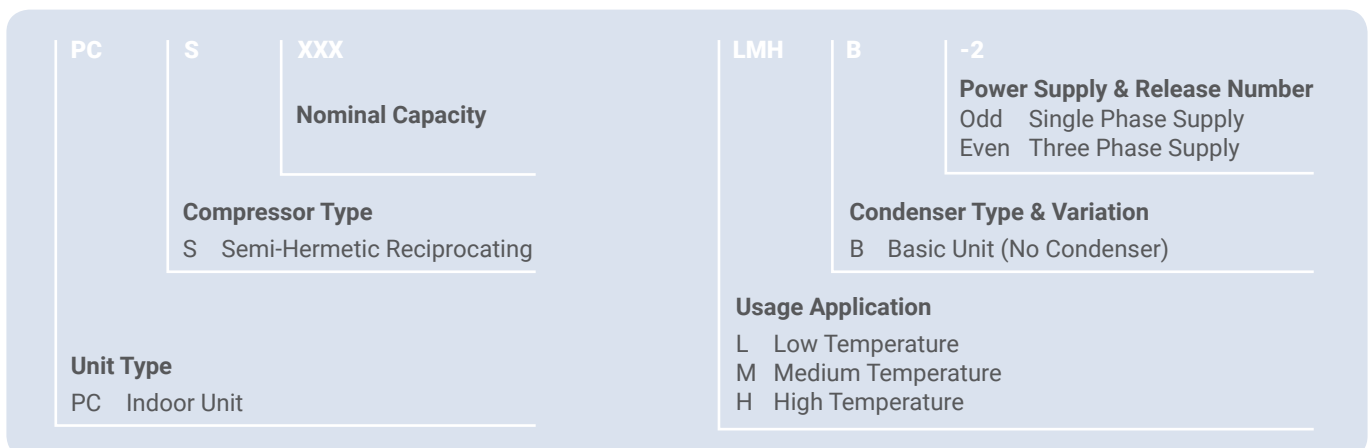
The Kirby® Semi Hermetic 2 Cylinder Basic Unit range offers:

- Compact with reduced operational weight
- High performance Dorin H series compressors
- Thermik internal motor protection
- Crankcase heater
- Single phase 240V units are supplied with a relay and capacitor box fitted
- Powder coated finish
- One piece copper tube design adapted for reliability
- Oil separator
- Dual auto HP/LP control and flexible lines
- Liquid line drier and moisture indicator
- Wooden skid part crate packing

Kirby® Semi Hermetic 2 Cylinder Basic Units can be configured with the following options:

- Liquid line solenoid valve
- Head cooling fan assembly
- Suction accumulator
- Oil watch alarm control - compressor sump level
- DOL electrical control panel IP44 - fully wired contactor/overload, circuit breaker and isolation switch
- MP15 (3ph. units only)

Kirby® Semi Hermetic 2 Cylinder Basic Units – Nomenclature



SEMI HERMETIC 2 CYLINDER BASIC UNITS

R404A Performance Data

PRODUCT NUMBER	DISPLACEMENT (m ³ /hr)	AMBIENT TEMP (°C)	CAPACITY WATTS @ SST (°C)											RECEIVER CAPACITY (kg)	
			LT					MT			HT				
			-45	-40	-35	-30	-25	-20	-15	-10	-5	0	5		10
DORIN SEMI-HERMETIC RECIPROCATING COMPRESSORS – H SERIES															
PCS016LMHB-1	2.89	35	–	350	480	630	820	1,040	1,300	1,600	1,940	2,340	2,780	3,290	4.4
		45	–	260	370	500	660	840	1,050	1,300	1,580	1,910	2,290	2,720	
PCS016LMHB-2	2.89	35	–	350	480	630	820	1,040	1,300	1,600	1,940	2,340	2,780	3,290	4.4
		45	–	260	370	500	660	840	1,050	1,300	1,580	1,910	2,290	2,720	
PCS032LMHB-1	5.30	35	–	720	980	1,290	1,660	2,090	2,590	3,180	3,860	4,640	5,540	6,560	4.4
		45	–	460	720	1,010	1,330	1,700	2,120	2,610	3,170	3,820	–	–	
PCS032LMHB-2	5.30	35	–	720	980	1,290	1,660	2,090	2,590	3,180	3,860	4,640	5,540	6,560	4.4
		45	–	460	720	1,010	1,330	1,700	2,120	2,610	3,170	3,820	–	–	
PCS039LMHB-1	6.75	35	–	830	1,170	1,560	2,020	2,550	3,160	3,880	4,710	5,670	6,760	8,000	4.4
		45	–	490	830	1,200	1,610	2,070	2,590	3,190	3,870	4,660	–	–	
PCS039LMHB-2	6.75	35	–	830	1,170	1,560	2,020	2,550	3,160	3,880	4,710	5,670	6,760	8,000	4.4
		45	–	490	830	1,200	1,610	2,070	2,590	3,190	3,870	4,660	–	–	
PCS044LMHB-2	7.71	35	–	930	1,320	1,770	2,290	2,890	3,600	4,420	5,380	6,470	7,730	9,150	4.4
		45	–	550	940	1,360	1,830	2,350	2,950	3,630	4,420	5,320	6,360	–	
PCS050LMHB-2	8.47	35	–	1,060	1,500	2,000	2,580	3,260	4,050	4,970	6,030	7,260	8,660	10,250	4.4
		45	–	630	1,060	1,540	2,060	2,640	3,310	4,080	4,960	5,970	7,130	8,440	
PCS058LMHB-2	9.88	35	–	1,240	1,750	2,330	3,010	3,790	4,710	5,780	7,020	8,450	10,080	11,930	4.4
		45	–	730	1,240	1,790	2,390	3,080	3,860	4,750	5,770	6,950	8,290	9,830	
PCS073LMHB-2	12.17	35	–	1,490	2,130	2,860	3,710	4,700	5,850	7,190	8,740	10,530	12,570	14,890	8.2
		45	–	850	1,490	2,190	2,960	3,830	4,820	5,950	7,260	8,750	10,460	12,410	
PCS084LMHB-2	14.74	35	–	1,870	2,560	3,400	4,420	5,620	7,030	8,670	10,570	12,720	15,170	17,930	8.2
		45	–	1,370	1,980	2,700	3,560	4,570	5,760	7,130	8,730	10,550	12,630	14,980	
PCS092LMHB-2	15.94	35	–	2,160	2,930	3,840	4,920	6,180	7,660	9,380	11,370	13,640	16,220	19,130	8.2
		45	–	1,640	2,310	3,080	3,990	5,060	6,310	7,770	9,450	11,400	13,620	16,150	
PCS103LMHB-2	17.53	35	–	2,460	3,290	4,290	5,470	6,860	8,490	10,370	12,540	15,010	17,820	20,990	8.2
		45	–	1,910	2,650	3,500	4,500	5,680	7,040	8,630	10,470	12,570	–	–	
PCS114LMHB-2	19.98	35	–	–	–	–	–	7,230	9,020	11,150	13,630	16,510	19,820	23,620	8.2
		45	–	–	–	–	–	5,910	7,450	9,270	11,400	13,880	16,760	20,070	
PCS139LMHB-2	22.83	35	–	2,840	4,010	5,400	7,040	8,960	11,200	13,760	16,700	20,020	23,770	27,970	8.2
		45	–	2,100	3,110	4,300	5,690	7,320	9,200	11,380	13,870	16,710	19,920	23,530	

SEMI HERMETIC 2 CYLINDER BASIC UNITS

R134a Performance Data

PRODUCT NUMBER	DISPLACEMENT (m ³ /hr)	AMBIENT TEMP. (°C)	CAPACITY WATTS @ SST (°C)											RECEIVER CAPACITY (kg)	
			LT					MT			HT				
			-45	-40	-35	-30	-25	-20	-15	-10	-5	0	5		10
DORIN SEMI-HERMETIC RECIPROCATING COMPRESSORS – H SERIES															
PCS016LMHB-1	2.89	35	-	-	-	-	-	530	710	910	1,160	1,450	1,790	2,180	4.4
		45	-	-	-	-	-	440	600	790	1,010	1,270	1,570	1,920	
PCS016LMHB-2	2.89	35	-	-	-	-	-	530	710	910	1,160	1,450	1,790	2,180	4.4
		45	-	-	-	-	-	440	600	790	1,010	1,270	1,570	1,920	
PCS032LMHB-1	5.30	35	-	-	-	-	-	1,120	1,460	1,860	2,340	2,900	3,540	4,290	4.4
		45	-	-	-	-	-	940	1,250	1,610	2,030	2,520	3,100	3,760	
PCS032LMHB-2	5.30	35	-	-	-	-	-	1,120	1,460	1,860	2,340	2,900	3,540	4,290	4.4
		45	-	-	-	-	-	940	1,250	1,610	2,030	2,520	3,100	3,760	
PCS039LMHB-1	6.75	35	-	-	-	-	-	1,310	1,680	2,120	2,640	3,240	3,950	4,770	4.4
		45	-	-	-	-	-	1,170	1,520	1,940	2,420	2,990	3,660	4,430	
PCS039LMHB-2	6.75	35	-	-	-	-	-	1,310	1,680	2,120	2,640	3,240	3,950	4,770	4.4
		45	-	-	-	-	-	1,170	1,520	1,940	2,420	2,990	3,660	4,430	
PCS044LMHB-2	7.71	35	-	-	-	-	-	1,550	2,000	2,550	3,190	3,940	4,810	5,820	4.4
		45	-	-	-	-	-	1,350	1,770	2,270	2,850	3,530	4,320	5,240	
PCS050LMHB-2	8.47	35	-	-	-	-	-	1,690	2,190	2,790	3,500	4,330	5,300	6,410	4.4
		45	-	-	-	-	-	1,470	1,930	2,490	3,140	3,900	4,790	5,810	
PCS058LMHB-2	9.88	35	-	-	-	-	-	1,990	2,590	3,290	4,120	5,100	6,230	7,540	4.4
		45	-	-	-	-	-	1,720	2,260	2,910	3,670	4,560	5,590	6,790	
PCS073LMHB-2	12.17	35	-	-	-	-	-	2,650	3,440	4,380	5,490	6,790	8,300	10,050	8.2
		45	-	-	-	-	-	2,230	2,940	3,770	4,750	5,900	7,230	8,790	
PCS084LMHB-2	14.74	35	-	-	-	-	-	2,720	3,620	4,690	5,950	7,430	9,140	11,110	8.2
		45	-	-	-	-	-	2,240	3,020	3,960	5,060	6,360	7,860	9,590	
PCS092LMHB-2	15.94	35	-	-	-	-	-	2,990	3,980	5,170	6,560	8,200	10,090	12,270	8.2
		45	-	-	-	-	-	2,460	3,330	4,370	5,600	7,030	8,700	10,620	
PCS103LMHB-2	17.53	35	-	-	-	-	-	3,430	4,480	5,730	7,210	8,940	10,950	13,250	8.2
		45	-	-	-	-	-	2,900	3,820	4,910	6,200	7,710	9,460	11,490	
PCS114LMHB-2	19.98	35	-	-	-	-	-	3,900	5,100	6,520	8,200	10,160	12,450	15,100	8.2
		45	-	-	-	-	-	3,320	4,420	5,720	7,250	9,040	11,130	13,550	
PCS139LMHB-2	22.83	35	-	-	-	-	-	4,590	6,020	7,710	9,700	12,040	14,760	17,910	8.2
		45	-	-	-	-	-	3,900	5,200	6,730	8,530	10,640	13,110	15,960	

SEMI HERMETIC 2 CYLINDER BASIC UNITS

Technical Data

PRODUCT NUMBER	COMPRESSOR MODEL	ELECTRICAL DATA			CONNECTIONS (mm)	
		MCC	LRA	RLA	LIQUID	SUCTION
DORIN SEMI-HERMETIC RECIPROCATING COMPRESSORS – H						
PCS016LMHB-1	H40CC-S/HTCR	2.4	11.1	1.6	12.70	12.70
PCS016LMHB-2	H40CC/HTCR	6.0	30.0	4.4	12.70	12.70
PCS022LMHB-1	H75CC-S/HTCR	2.9	13.8	2.1	12.70	15.88
PCS022LMHB-2	H75CC/HTCR	9.0	44.0	6.6	12.70	15.88
PCS032LMHB-1	H100CC-S/HTCR	4.4	20.0	2.7	12.70	15.88
PCS032LMHB-2	H100CC/HTCR	10.0	62.0	6.8	12.70	15.88
PCS039LMHB-1	H150CC-S/HTCR	6.0	24.4	3.1	12.70	15.88
PCS039LMHB-2	H150CC/HTCR	13.5	69.0	7.5	12.70	15.88
PCS044LMHB-2	H180CC/HTCR	6.0	24.4	3.8	12.70	15.88
PCS050LMHB-2	H200CC/HTCR	6.0	24.4	3.8	12.70	15.88
PCS058LMHB-2	H220CC/HTCR	6.0	24.4	4.5	12.70	15.88
PCS073LMHB-2	H280CC/HTCR	9.4	43.6	6.2	15.88	19.05
PCS084LMHB-2	H300CC/HTCR	9.4	43.6	6.9	15.88	22.22
PCS092LMHB-2	H350CC/HTCR	9.4	43.6	7.3	15.88	28.57
PCS103LMHB-2	H380CC/HTCR	9.4	43.6	8.1	15.88	28.57
PCS114LMHB-2	H403CC/HTCR	13.5	63.1	8.5	15.88	28.57
PCS139LMHB-2	H503CC/HTCR	17.5	86.0	11.1	15.88	28.57

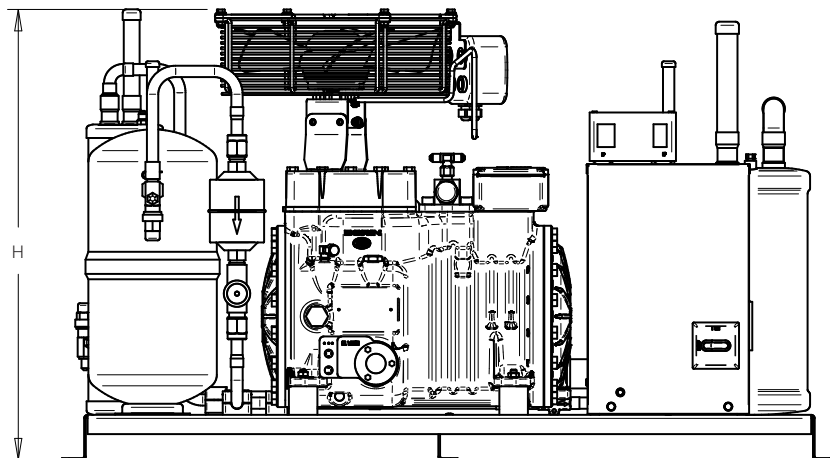
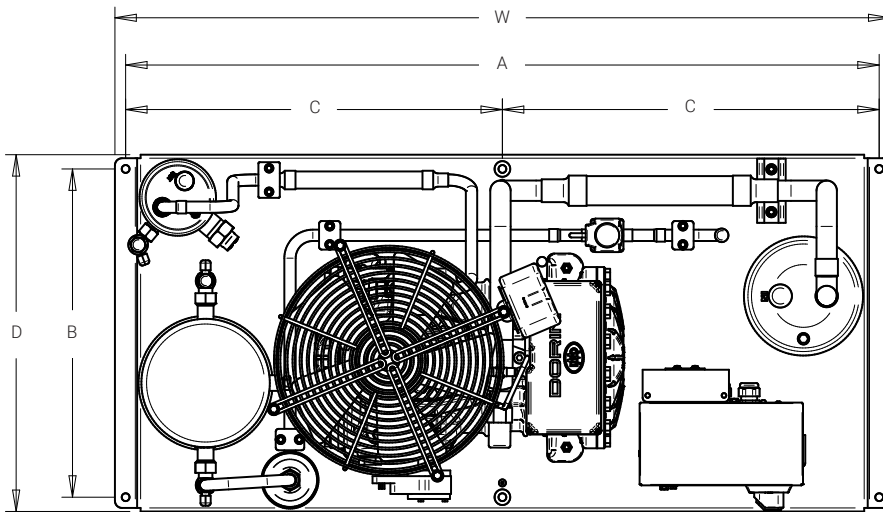
SEMI HERMETIC 2 CYLINDER BASIC UNITS

Physical Data

PRODUCT NUMBER	DIMENSIONS (mm)			MOUNTING CENTRES (mm)			WEIGHT (kg)	
	HEIGHT	WIDTH	DEPTH	A	B	C	NET	GROSS
DORIN SEMI-HERMETIC RECIPROCATING COMPRESSORS – H SERIES								
PCS016LMHB-1	567	963	400	933	361	–	67	83
PCS016LMHB-2	567	963	400	933	361	–	67	83
PCS022LMHB-1	567	963	400	933	361	–	69	85
PCS022LMHB-2	567	963	400	933	361	–	69	85
PCS032LMHB-1	567	963	400	933	361	–	71	87
PCS032LMHB-2	567	963	400	933	361	–	71	87
PCS039LMHB-1	567	963	400	933	361	–	72	88
PCS039LMHB-2	567	963	400	933	361	–	72	88
PCS044LMHB-2	567	963	400	933	361	–	74	90
PCS050LMHB-2	567	963	400	933	361	–	75	91
PCS058LMHB-2	567	963	400	933	361	–	76	92
PCS073LMHB-2	567	963	400	933	361	–	79	95
PCS084LMHB-2	631	1,086	500	1,056	460	528	102	121
PCS092LMHB-2	631	1,086	500	1,056	460	528	102	121
PCS103LMHB-2	631	1,086	500	1,056	460	528	104	123
PCS114LMHB-2	631	1,086	500	1,056	460	528	128	147
PCS139LMHB-2	631	1,086	500	1,056	460	528	131	150

SEMI HERMETIC 2 CYLINDER BASIC UNITS

Physical Data





13 23 50
kirbyhvacr.com.au

Exclusively distributed by

KIRBY
A **BEIJER REF** Company

The contents of this brochure are copyright protected and may not be reproduced in any form without the written consent of Kirby HVAC&R Pty Ltd (T/A Kirby). Recommendations and advice regarding the use of the products described in this publication are to be taken as a guide only and are given without liability on the part of the company or its employees. As Kirby continually improves its product range and processes, Kirby reserves the right to change product specifications without any prior notification. Please refer to the kirbyhvacr.com.au website for the latest version of this publication. The purchaser should independently determine the suitability of the product for the intended use and application and that the product complies with relevant standards. Kirby accepts no responsibility for loss or damage (direct or indirect and including consequential loss, loss of profits or opportunity and economic loss) however arising which results from any errors or omissions in the information contained in this publication or arising from the use or application of the information contained herein.

Kirby HVAC&R Pty Ltd continually strives to improve products and processes. We reserve the right to modify product features without notice. Information is correct at time of printing.

© Copyright 2021 Kirby HVAC&R Pty Ltd
Information is correct at time of printing.