



KIRBY® KRC Remote Condensers

Field proven quality,
performance and
endurance



Exclusively distributed by



KIRBY KRC

Remote Condensers

Introduction

The Kirby® KRC Remote Condenser range includes the latest refrigeration technologies for upgraded performance, such as 9000 Series fin coils for greater efficiency and pre coated fin for optimal corrosion protection. Furthermore, these units can be installed vertically or horizontally for maximum flexibility.

Standard inclusions include powder coated panels and quality external rotor motor fans for long life and serviceability. For variable capacity and noise sensitive applications, Kirby® also offers easy to adapt solutions.

Features & Benefits

The Kirby® KRC Remote Condenser range offers:

- Optimised air flow and coil design for enhanced heat transfer performance and high pressure applications
- 240 volt, single phase fan motor assemblies
- Kirby Blue Kote aluminium fins for optimal ultraviolet and corrosion resistance
- Header clearance holes to ensure the end and divider plates remain a leak free zone, and positive air seal between all fans

Kirby® KRC Remote Condensers can be configured with the following options:

- EC fans with fan speed control
- Three phase fan assemblies – both 500mm and 630mm diameters
- Fan motors pre-wired to terminal junction box
- Special applications on request, including sub cooling circuit, multiple circuits, dry cooler, oil cooler and fluid cooler

Kirby® KRC Remote Condensers – Nomenclature

KRC	107	-4P	H	S
Nominal Capacity		Non-Standard Options		
Manufacturer Brand KRC Kirby Remote Condenser		S Special Option Fitted		
		Coil Type H High Pressure Capable (R410A) Coil		
		Fan Type -4P 4 Pole AC Fan -6P 6 Pole AC Fan -EC EC Fan		

KRC REMOTE CONDENSERS

Performance Data

PRODUCT NUMBER	CAPACITY @ 32°C AMB, 0°C SUBCOOLING						
	BASIC CAPACITY			R404A CAPACITY @ KTD			
	R404A	R134a	R410A	3	10	15	20
SINGLE COIL MODELS – 350mm 1PH 4P – 1,380RPM							
KRC80-4PH	803	746	819	2,410	8,030	12,040	16,050
KRC107-4PH	1,076	1,001	1,097	3,230	10,760	16,140	21,520
KRC134-4PH	1,338	1,245	1,365	4,020	13,380	20,080	26,770
SINGLE COIL MODELS – 500mm 1PH 6P – 935RPM							
KRC137-6PH	1,366	1,271	1,394	4,100	13,660	20,490	27,320
KRC181-6PH	1,807	1,681	1,843	5,420	18,070	27,110	36,140
KRC254-6PH	2,544	2,366	2,595	7,630	25,440	38,160	50,880
SINGLE COIL MODELS – 500mm 1PH 4P – 1,340RPM							
KRC164-4PH	1,635	1,520	1,667	4,900	16,350	24,520	32,690
KRC213-4PH	2,135	1,986	2,178	6,410	21,350	32,030	42,710
KRC317-4PH	3,171	2,949	3,234	9,510	31,710	47,570	63,420
SINGLE COIL MODELS – HYBLADE 630mm 1PH 6P – 860RPM							
KRC389-6PH	3,885	3,613	3,963	11,660	38,850	58,280	77,700
KRC457-6PH	4,572	4,252	4,663	13,710	45,720	68,570	91,430
KRC574-6PH	5,738	5,337	5,853	17,220	57,380	86,080	114,770
KRC693-6PH	6,927	6,442	7,065	20,780	69,270	103,900	138,530
KRC861-6PH	8,611	8,008	8,783	25,830	86,110	129,160	172,210
TWIN COIL MODELS – HYBLADE 630mm 1PH 6P – 860RPM							
KRC778-6PH	7,770	7,226	7,926	23,320	77,700	116,560	155,400
KRC914-6PH	9,143	8,503	9,326	27,420	91,440	137,140	182,860
KRC1148-6PH	11,477	10,674	11,707	34,440	114,760	172,160	229,540
KRC1386-6PH	13,853	12,883	14,130	41,560	138,540	207,800	277,060
KRC1722-6PH	17,221	16,016	17,566	51,660	172,220	258,320	344,420

KRC REMOTE CONDENSERS

Technical Data

PRODUCT NUMBER	MOTOR DATA		UNIT DATA			FAN DATA				COIL DATA			
	POWER SUPPLY (V / PH / HZ)	TOTAL AMPS/PHASE	TOTAL WATTS	TOTAL AMPS/PHASE	NO. OF FANS	DIAMETER (mm)	AIRFLOW (L/S)		REFRIGERANT CHARGE (kg)		CONNECTIONS (mm)		
		100% SPEED	100% SPEED	100% SPEED			100% SPEED	80% SPEED	R410A	R404A	GAS	LIQUID	
SINGLE COIL MODELS – 350mm 1PH 4P													
KRC80-4PH	240/1/50	0.60	260	1.2	2	350	1,260	--	1.9	1.8	15.88	12.70	
KRC107-4PH	240/1/50	0.60	260	1.2	2	350	1,295	--	3.1	3.0	15.88	12.70	
KRC134-4PH	240/1/50	0.60	260	1.2	2	350	1,210	--	5.6	5.4	19.05	15.88	
SINGLE COIL MODELS – 500mm 1PH 6P													
KRC137-6PH	240/1/50	1.80	360	1.8	1	500	1,095	955	5.6	5.4	19.05	15.88	
KRC181-6PH	240/1/50	1.80	720	3.6	2	500	2,435	2,120	4.6	4.5	22.22	19.05	
KRC254-6PH	240/1/50	1.80	720	3.6	2	500	2,170	1,890	10.5	10.2	25.40	22.22	
SINGLE COIL MODELS – 500mm 1PH 4P													
KRC164-4PH	240/1/50	2.80	640	2.8	1	500	1,530	1,330	5.6	5.4	19.05	15.88	
KRC213-4PH	240/1/50	2.80	1,280	5.6	2	500	3,290	2,860	4.6	4.5	22.22	19.05	
KRC317-4PH	240/1/50	2.80	1,280	5.6	2	500	2,910	2,530	10.5	10.2	25.40	22.22	
SINGLE COIL MODELS – HYBLADE 630mm 1PH 6P													
KRC389-6PH	240/1/50	2.65	1,220	5.4	2	630	3,745	3,070	11.8	11.4	31.75	28.60	
KRC457-6PH	240/1/50	2.65	1,830	8.1	3	630	6,475	5,310	10.7	10.4	34.93	31.75	
KRC574-6PH	240/1/50	2.65	1,830	8.1	3	630	5,620	4,610	17.9	17.3	34.93	31.75	
KRC693-6PH	240/1/50	2.65	2,440	10.8	4	630	8,755	7,090	19.7	19.1	38.10	38.10	
KRC861-6PH	240/1/50	2.65	2,440	10.8	4	630	7,755	6,280	32.7	31.8	38.10	38.10	
TWIN COIL MODELS – HYBLADE 630mm 1PH 6P													
KRC778-6PH	240/1	2.65	2,440	10.8	4	630	7,490	6,140	23.5	22.8	2 x 31.75	2 x 28.60	
KRC914-6PH	240/1	2.65	3,660	16.2	6	630	12,950	10,620	21.4	20.8	2 x 34.93	2 x 31.75	
KRC1148-6PH	240/1	3.00	3,660	16.2	6	630	11,240	9,220	35.7	34.7	2 x 34.93	2 x 31.75	
KRC1386-6PH	240/1	2.65	4,880	21.6	8	630	17,510	14,180	39.4	38.3	2 x 38.10	2 x 38.10	
KRC1722-6PH	240/1	2.65	4,880	21.6	8	630	15,510	12,560	65.5	63.6	2 x 38.10	2 x 38.10	

KRC REMOTE CONDENSERS

Sound Data

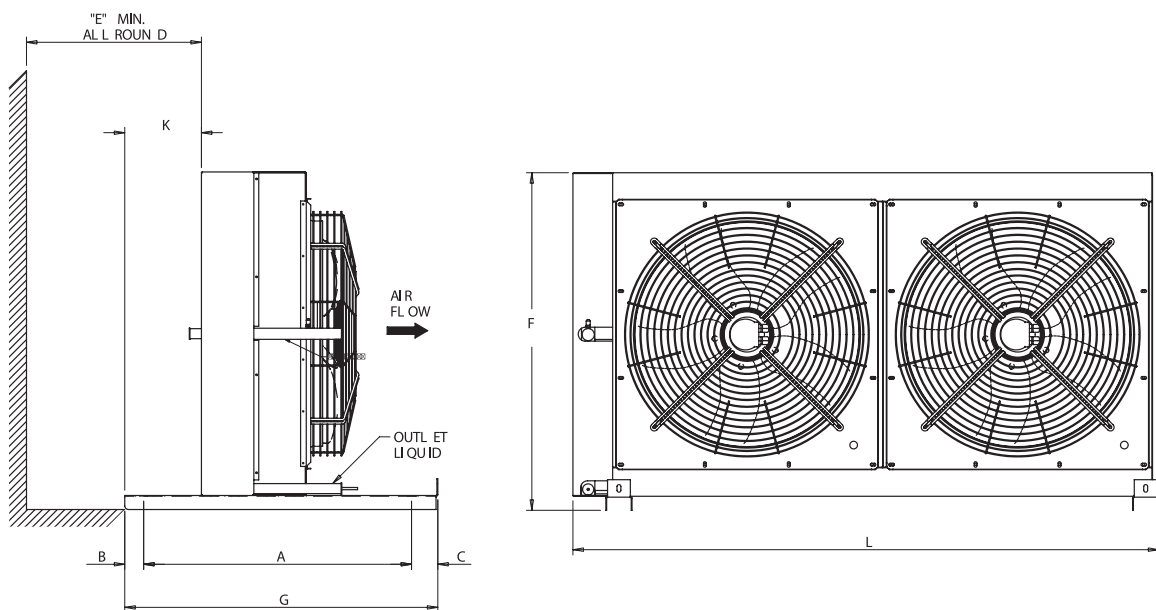
PRODUCT NUMBER	SOUND POWER	SOUND PRESSURE	LINEAR SOUND POWER DB @ CENTRE FREQUENCY HZ							
	dB(A)	dB(A)	63	125	250	500	1,000	2,000	4,000	8,000
SINGLE COIL MODELS – 350mm 1PH 4P – 100% SPEED										
KRC80-4PH	77.0	59.5	81.9	77.6	75.3	75.3	72.5	67.6	61.1	51.3
KRC107-4PH	77.0	59.5	81.9	77.6	75.3	75.3	72.5	67.6	61.1	51.3
KRC134-4PH	77.0	59.5	81.9	77.6	75.3	75.3	72.5	67.6	61.1	51.3
SINGLE COIL MODELS – 500mm 1PH 6P – 100% SPEED										
KRC137-6PH	75.8	58.3	83.5	81.6	77.8	73.2	69.4	65.9	60.3	54.7
KRC181-6PH	78.8	61.3	86.5	84.6	80.8	76.2	72.4	68.9	63.3	57.7
KRC254-6PH	78.8	61.3	86.5	84.6	80.8	76.2	72.4	68.9	63.3	57.7
SINGLE COIL MODELS – 500mm 1PH 6P – 80% SPEED										
KRC137-6PH	72.7	55.2	78.4	77.1	74.1	70.6	67.0	63.0	57.1	48.0
KRC181-6PH	75.7	58.2	81.4	80.1	77.1	73.6	70.0	66.0	60.1	51.0
KRC254-6PH	75.7	58.2	81.4	80.1	77.1	73.6	70.0	66.0	60.1	51.0
SINGLE COIL MODELS – 500mm 1PH 4P – 100% SPEED										
KRC164-4PH	81.0	63.5	90.9	83.2	80.0	77.9	76.9	72.0	64.1	53.4
KRC213-4PH	84.0	66.5	94.0	86.2	83.0	80.9	79.9	75.0	67.1	56.4
KRC317-4PH	84.0	66.5	94.0	86.2	83.0	80.9	79.9	75.0	67.1	56.4
SINGLE COIL MODELS – 500mm 1PH 4P – 80% SPEED										
KRC164-4PH	73.4	55.9	84.4	75.8	74.4	70.8	68.1	62.5	54.5	45.3
KRC213-4PH	76.4	58.9	87.4	78.8	77.5	73.8	71.1	65.5	57.5	48.3
KRC317-4PH	76.4	58.9	87.4	78.8	77.5	73.8	71.1	65.5	57.5	48.3
SINGLE COIL MODELS – HYBLADE 630mm 1PH 6P – 100% SPEED										
KRC389-6PH	78.8	61.3	98.8	89.2	76.6	72.4	72.0	66.6	57.4	51.1
KRC457-6PH	80.6	63.1	100.5	91.0	78.4	74.2	73.8	68.4	59.1	52.9
KRC574-6PH	80.6	63.1	100.5	91.0	78.4	74.2	73.8	68.4	59.1	52.9
KRC693-6PH	81.8	64.3	101.8	92.2	79.6	75.4	75.0	69.6	60.4	54.1
KRC861-6PH	81.8	64.3	101.8	92.2	79.6	75.4	75.0	69.6	60.4	54.1
SINGLE COIL MODELS – HYBLADE 630mm 1PH 6P – 80% SPEED										
KRC389-6PH	72.9	55.4	92.8	79.4	71.1	69.0	67.5	60.5	51.8	46.4
KRC457-6PH	74.7	57.2	94.6	81.1	72.8	70.7	69.3	62.2	53.6	48.1
KRC574-6PH	74.7	57.2	94.6	81.1	72.8	70.7	69.3	62.2	53.6	48.1
KRC693-6PH	75.9	58.4	95.8	82.4	74.1	72.0	70.5	63.5	54.8	49.4
KRC861-6PH	75.9	58.4	95.8	82.4	74.1	72.0	70.5	63.5	54.8	49.4
TWIN COIL MODELS – HYBLADE 630mm 1PH 6P – 100% SPEED										
KRC778-6PH	81.8	64.3	101.8	92.2	79.6	75.4	75.0	69.6	60.4	54.1
KRC914-6PH	83.6	66.1	103.6	94.0	81.4	77.2	76.8	71.4	62.1	55.9
KRC1386-6PH	84.8	67.3	104.8	95.2	82.6	78.4	78.0	72.7	63.4	57.1
KRC1722-6PH	84.8	67.3	104.8	95.2	82.6	78.4	78.0	72.7	63.4	57.1
TWIN COIL MODELS – HYBLADE 630mm 1PH 6P – 80% SPEED										
KRC778-6PH	75.9	58.4	95.8	82.4	74.1	72.0	70.5	63.5	54.8	49.4
KRC914-6PH	77.7	60.2	97.6	84.2	75.8	73.8	72.3	65.2	56.6	51.1
KRC1148-6PH	83.6	66.1	103.6	94.0	81.4	77.2	76.8	71.4	62.1	55.9
KRC1386-6PH	78.9	61.4	98.8	85.4	77.1	75.0	73.5	66.5	57.8	52.4
KRC1722-6PH	78.9	61.4	98.8	85.4	77.1	75.0	73.5	66.5	57.8	52.4

KRC REMOTE CONDENSERS

Physical Data

PRODUCT NUMBER	DIA	DIMENSIONAL DATA (mm)															DRY WEIGHT (kg)	
		A	B	C	D	E	F	G	H	J	K	L	M	N	P	W	UNPACKED	PACKED
SINGLE COIL MODELS – 350mm 1PH 4P																		
KRC80-4PH	REFER DIAGRAM A	452	48	80	470	500	443	580	705	40	165	951	877	25	390	927	29	34
KRC107-4PH		452	48	80	570	500	520	580	705	40	165	951	877	25	390	927	34	39
KRC134-4PH		452	48	80	670	500	647	580	725	40	165	951	877	25	390	927	46	51
SINGLE COIL MODELS – 500mm 1PH 6P																		
KRC137-6PH	REFER DIAGRAM A	452	48	80	670	500	647	580	745	40	165	951	877	25	390	927	51	56
KRC181-6PH		766	54	75	849	500	788	895	1,020	62	220	1,262	1,165	38	605	1,241	68	85
KRC254-6PH		766	54	75	954	500	915	895	1,020	62	255	1,262	1,165	38	605	1,241	93	110
SINGLE COIL MODELS – 500mm 1PH 4P																		
KRC164-4PH	REFER DIAGRAM A	452	48	80	670	500	647	580	745	40	165	951	877	25	390	927	51	56
KRC213-4PH		766	54	75	849	500	788	895	1,020	62	220	1,262	1,165	38	605	1,241	68	85
KRC317-4PH		766	54	75	954	500	915	895	1,020	62	255	1,262	1,165	38	605	1,241	93	110
SINGLE COIL MODELS – HYBLADE 630mm 1PH 6P																		
KRC389-6PH	REFER DIAGRAM A	766	54	75	954	500	965	895	1,050	62	220	1,675	1,505	38	605	1,581	129	153
KRC457-6PH		766	54	75	954	750	965	895	1,050	62	255	2,408	2,240	38	605	2,316	158	248
KRC574-6PH		766	54	75	954	750	965	895	1,050	62	255	2,408	2,240	38	605	2,316	186	276
KRC693-6PH		766	54	75	954	750	1,065	1,000	1,050	18	440	3,205	3,003	44	610	3,091	208	328
KRC861-6PH		840	80	80	1,107	750	1,065	1,000	1,050	18	440	3,205	3,003	44	610	3,091	263	383
TWIN COIL MODELS – HYBLADE 630mm 1PH 6P																		
KRC778-6PH	REFER DIAGRAM B			1,929	1,200	1,933	-	1,145	18	-	695	1,505	44	695	1,581	271	311	
KRC914-6PH				1,929	1,200	1,933	-	1,145	18	-	695	2,240	44	695	2,316	309	369	
KRC1148-6PH				1,929	1,200	1,933	-	1,145	18	-	695	2,240	44	695	2,316	501	581	
KRC1386-6PH	REFER DIAGRAM C															501	581	
KRC1722-6PH	REFER DIAGRAM C															612	692	

Diagram A



KRC REMOTE CONDENSERS

Physical Data

Diagram B

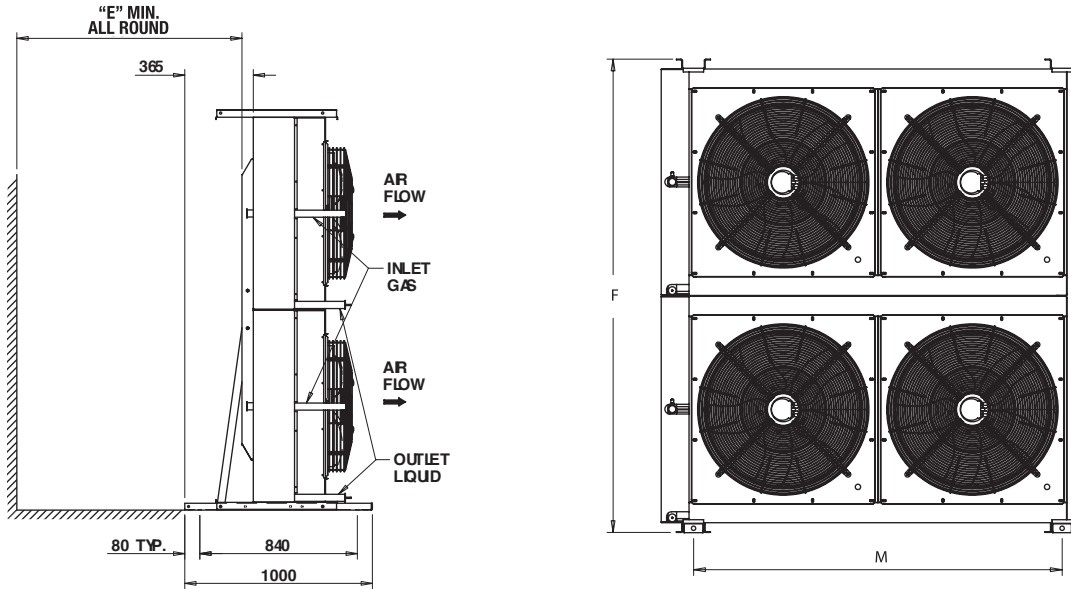
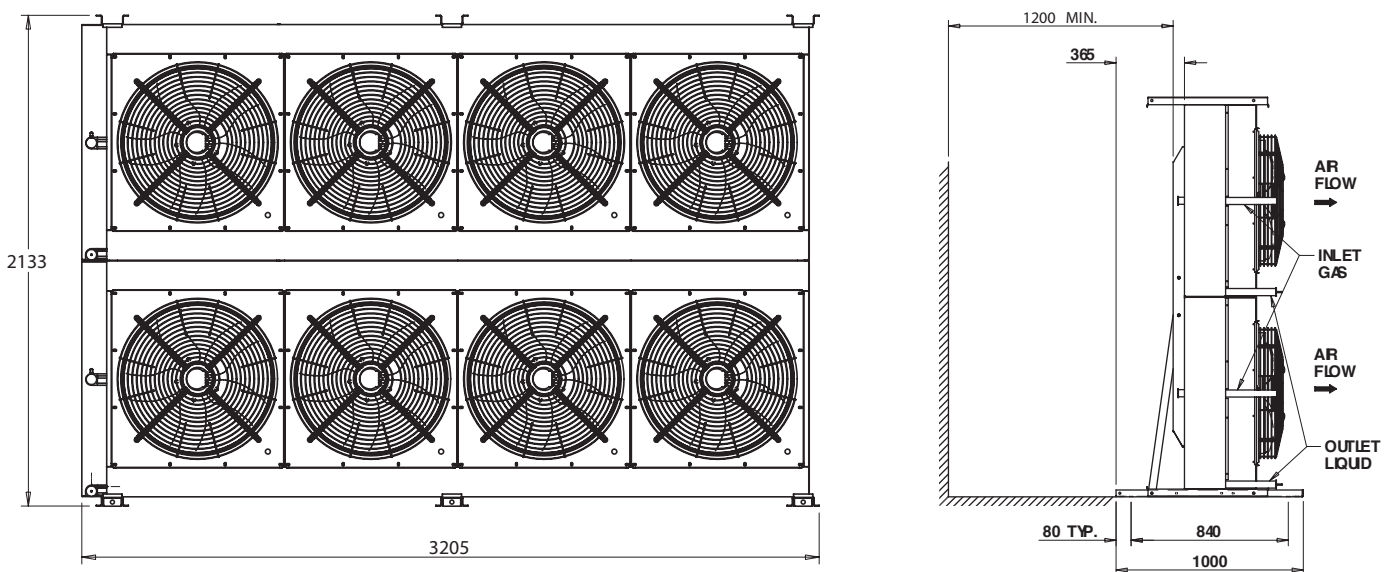


Diagram C





13 23 50
kirbyhvacr.com.au

Exclusively distributed by

KIRBY
A **BEIJER REF** Company

The contents of this brochure are copyright protected and may not be reproduced in any form without the written consent of Kirby HVAC&R Pty Ltd (T/A Kirby). Recommendations and advice regarding the use of the products described in this publication are to be taken as a guide only and are given without liability on the part of the company or its employees. As Kirby continually improves its product range and processes, Kirby reserves the right to change product specifications without any prior notification. Please refer to the kirbyhvacr.com.au website for the latest version of this publication. The purchaser should independently determine the suitability of the product for the intended use and application and that the product complies with relevant standards. Kirby accepts no responsibility for loss or damage (direct or indirect and including consequential loss, loss of profits or opportunity and economic loss) however arising which results from any errors or omissions in the information contained in this publication or arising from the use or application of the information contained herein.

Kirby HVAC&R Pty Ltd continually strives to improve products and processes. We reserve the right to modify product features without notice. Information is correct at time of printing.

© Copyright 2020 Kirby HVAC&R Pty Ltd
Information is correct at time of printing.