



NULLARBOR

PEAK SERIES



KIRBY® NULLARBOR PEAK SERIES

Condensing Units

Engineered on a Rich Heritage
for Outstanding Performance



Exclusively distributed by

KIRBY
A BEIJER REF Company

KIRBY® NULLARBOR PEAK SERIES

Condensing Units

Introduction

Developed on the back of the highly successful Kirby® Nullarbor and Kirby® Commander platforms, the new Kirby® Nullarbor Peak Series condensing unit range has been engineered specifically to offer superior performance across the harshest conditions of the Australian continent.

With unfailing operation up to 45°C ambient, they're robust and reliable – guaranteed.

Features & Benefits

The Kirby® Nullarbor Peak Series condensing units offer:

- Kulthorn Kirby KA Series hermetic reciprocating compressors complete with thermal overload protection, crankcase heater and compressor oil sightglass.
- Premium quality external rotor fan motors with built-in thermal overload protection, deliver reliable and efficient operation across a long service life.
- Full wiring for compressor (including contactor and overload), fan(s) and auto-auto dual pressure control for trouble-free commissioning.
- Easy to clean powder coated sheet metal base and condenser casing, providing an aesthetically pleasing appearance.
- Suction and liquid line connection points conveniently grouped and located together for stress-free access.
- All electrics housed in a metal j-box, ensuring trustworthy and safe operation.
- Liquid receiver, liquid line with drier and sightglass, and high efficiency internal float oil separator standard across all models.
- Suction accumulator standard across all low temperature models.

Optional Protective Covers

Powder coated with an appealing and minimalistic gunmetal finish, optional protective cover kits are designed to provide some additional protection and security against mechanical damage from external sources.

Supplied flat packed and able to be attached directly to the base of the unit, these kits are available for every unit within the Kirby® Nullarbor Peak Series range.

Kirby® Nullarbor Peak Series Condensing Units – Nomenclature

KN	110	MH	A1	2
Unit Type KN Kirby® Nullarbor		Usage Application MH Medium/High Temperature L Low Temperature	Power Supply & Release Number Odd Single Phase Supply Even Three Phase Supply	
Nominal Capacity			Condenser Type & Variation A Air Cooled	

NULLARBOR PEAK CONDENSING UNITS

R404A Medium Temperature Performance Data

PRODUCT NUMBER	DISPLACEMENT (cc/rev)	AMBIENT TEMP. (°C)	CAPACITY WATTS @ SST (°C)												RECEIVER CAPACITY (kg)
			LT						MT			HT			
			-45	-40	-35	-30	-25	-20	-15	-10	-5	0	5	10	
KULTHORN KIRBY KA SERIES MHZ HERMETIC RECIPROCATING COMPRESSORS															
KN070MHA1-2	70	35	-	-	-	-	2,360	3,260	4,260	5,370	6,620	8,030	9,660	-	6.7
		45	-	-	-	-	1,620	2,390	3,250	4,210	5,280	6,500	7,860	-	
KN080MHA1-2	80	35	-	-	-	-	3,140	3,980	4,990	6,200	7,600	9,170	10,860	-	6.7
		45	-	-	-	-	-	3,090	3,970	5,010	6,200	7,520	8,880	-	
KN095MHA1-2	90	35	-	-	-	-	3,550	4,700	6,000	7,460	9,060	10,820	12,740	-	8.9
		45	-	-	-	-	2,640	3,660	4,820	6,100	7,480	8,950	10,540	-	
KN110MHA1-2	100	35	-	-	-	-	4,220	5,510	6,980	8,620	10,430	12,400	14,560	-	8.9
		45	-	-	-	-	3,210	4,360	5,670	7,100	8,650	10,310	12,100	-	
KN127MHA1-2	115	35	-	-	-	-	4,900	6,390	8,090	9,990	12,080	14,360	16,840	-	8.9
		45	-	-	-	-	-	5,070	6,580	8,250	10,050	11,970	14,020	-	

NULLARBOR PEAK CONDENSING UNITS

R134a Medium Temperature Performance Data

PRODUCT NUMBER	DISPLACEMENT (cc/rev)	AMBIENT TEMP. (°C)	CAPACITY WATTS @ SST (°C)												RECEIVER CAPACITY (kg)
			LT						MT			HT			
			-45	-40	-35	-30	-25	-20	-15	-10	-5	0	5	10	
KULTHORN KIRBY KA SERIES MHZ HERMETIC RECIPROCATING COMPRESSORS															
KN070MHA1-2	70	35	-	-	-	-	-	-	2,330	3,100	4,030	5,150	6,460	7,940	7.8
		45	-	-	-	-	-	-	-	2,520	3,360	4,360	5,490	6,690	
KN080MHA1-2	80	35	-	-	-	-	-	-	2,670	3,530	4,570	5,790	7,160	8,670	7.8
		45	-	-	-	-	-	-	-	2,890	3,810	4,880	6,090	7,390	
KN095MHA1-2	90	35	-	-	-	-	-	2,300	3,240	4,290	5,510	6,900	8,450	10,180	10.4
		45	-	-	-	-	-	-	-	3,510	4,590	5,800	7,180	8,800	
KN110MHA1-2	100	35	-	-	-	-	-	2,930	3,920	5,060	6,390	7,950	9,780	11,880	10.4
		45	-	-	-	-	-	-	-	4,140	5,430	6,920	8,600	10,470	
KN127MHA1-2	115	35	-	-	-	-	-	3,180	4,260	5,530	7,000	8,670	10,530	12,610	10.4
		45	-	-	-	-	-	-	-	4,610	5,940	7,440	9,110	11,010	

NULLARBOR PEAK CONDENSING UNITS

R448A Medium Temperature Performance Data*

PRODUCT NUMBER	DISPLACEMENT (cc/rev)	AMBIENT TEMP. (°C)	CAPACITY WATTS @ SST (°C)												RECEIVER CAPACITY (kg)
			LT						MT			HT			
			-45	-40	-35	-30	-25	-20	-15	-10	-5	0	5	10	
KULTHORN KIRBY KA SERIES MHZ HERMETIC RECIPROCATING COMPRESSORS															
KN070MHA1-2	70	35	-	-	-	-	1,770	2,590	3,540	4,620	5,870	7,360	9,180	-	6.2
		45	-	-	-	-	1,230	1,970	2,830	3,820	4,970	6,350	8,020	-	
KN080MHA1-2	80	35	-	-	-	-	2,590	3,420	4,470	5,700	7,140	8,670	10,320	-	6.2
		45	-	-	-	-	-	2,750	3,610	4,680	5,920	7,310	8,790	-	
KN095MHA1-2	90	35	-	-	-	-	2,930	4,040	5,370	6,860	8,520	10,220	12,100	-	8.3
		45	-	-	-	-	-	3,260	4,390	5,700	7,140	8,690	10,430	-	
KN110MHA1-2	100	35	-	-	-	-	3,480	4,740	6,250	7,930	9,800	11,720	13,830	-	8.3
		45	-	-	-	-	-	3,880	5,160	6,640	8,260	10,020	11,980	-	
KN127MHA1-2	115	35	-	-	-	-	4,210	5,720	7,440	9,390	11,420	13,640	16,000	-	8.3
		45	-	-	-	-	-	4,610	6,150	7,880	9,760	11,850	14,020	-	

NULLARBOR PEAK CONDENSING UNITS

R513A Medium Temperature Performance Data*

PRODUCT NUMBER	DISPLACEMENT (cc/rev)	AMBIENT TEMP. (°C)	CAPACITY WATTS @ SST (°C)												RECEIVER CAPACITY (kg)
			LT						MT			HT			
			-45	-40	-35	-30	-25	-20	-15	-10	-5	0	5	10	
KULTHORN KIRBY KA SERIES MHZ HERMETIC RECIPROCATING COMPRESSORS															
KN070MHA1-2	70	35	-	-	-	-	-	-	2,250	2,980	3,830	4,820	6,000	7,410	6.0
		45	-	-	-	-	-	-	-	2,350	3,080	3,950	5,020	6,310	
KN080MHA1-2	80	35	-	-	-	-	-	1,970	2,640	3,440	4,400	5,500	6,740	8,100	6.0
		45	-	-	-	-	-	-	-	2,800	3,620	4,580	5,670	6,840	
KN095MHA1-2	90	35	-	-	-	-	-	2,320	3,200	4,180	5,300	6,560	7,950	9,510	7.9
		45	-	-	-	-	-	-	-	3,400	4,360	5,440	6,690	8,140	
KN110MHA1-2	100	35	-	-	-	-	-	2,950	3,870	4,920	6,140	7,560	9,210	11,100	7.9
		45	-	-	-	-	-	-	-	4,010	5,160	6,500	8,010	9,690	
KN127MHA1-2	115	35	-	-	-	-	-	3,200	4,210	5,380	6,730	8,240	9,920	11,790	7.9
		45	-	-	-	-	-	-	-	4,470	5,650	6,980	8,480	10,190	

* Provisional Data

NULLARBOR PEAK CONDENSING UNITS

R404A Low Temperature Performance Data

PRODUCT NUMBER	DISPLACEMENT (cc/rev)	AMBIENT TEMP. (°C)	CAPACITY WATTS @ SST (°C)												RECEIVER CAPACITY (kg)
			LT						MT			HT			
			-45	-40	-35	-30	-25	-20	-15	-10	-5	0	5	10	
KULTHORN KIRBY KA SERIES LZ HERMETIC RECIPROCATING COMPRESSORS															
KN030LA1-2	70	35	-	-	1,000	1,770	2,580	3,430	4,330	5,270	-	-	-	-	6.7
		45	-	-	-	1,290	2,000	2,790	3,620	4,490	-	-	-	-	
KN034LA1-2	80	35	-	-	1,590	2,340	3,150	4,060	5,070	6,180	-	-	-	-	6.7
		45	-	-	-	1,660	2,390	3,200	4,090	5,040	-	-	-	-	
KN040LA1-2	90	35	-	-	2,050	2,960	3,950	5,030	6,220	7,540	-	-	-	-	6.7
		45	-	-	-	2,200	3,030	3,970	5,020	6,160	-	-	-	-	
KN045LA1-2	100	35	-	-	2,280	3,240	4,350	5,580	6,910	8,360	-	-	-	-	6.7
		45	-	-	-	2,470	3,430	4,500	5,640	6,840	-	-	-	-	

NULLARBOR PEAK CONDENSING Units

R448A Low Temperature Performance Data*

PRODUCT NUMBER	DISPLACEMENT (cc/rev)	AMBIENT TEMP. (°C)	CAPACITY WATTS @ SST (°C)												RECEIVER CAPACITY (kg)
			LT						MT			HT			
			-45	-40	-35	-30	-25	-20	-15	-10	-5	0	5	10	
KULTHORN KIRBY KA SERIES LZ HERMETIC RECIPROCATING COMPRESSORS															
KN030LA1-2	70	35	-	-	830	1,480	2,230	3,010	3,910	4,860	-	-	-	-	6.2
		45	-	-	-	1,040	1,750	2,500	3,330	4,220	-	-	-	-	
KN034LA1-2	80	35	-	-	1,320	1,950	2,730	3,560	4,580	5,690	-	-	-	-	6.2
		45	-	-	-	1,340	2,080	2,870	3,770	4,730	-	-	-	-	
KN040LA1-2	90	35	-	-	1,700	2,470	3,410	4,410	5,620	6,940	-	-	-	-	6.2
		45	-	-	-	1,780	2,640	3,560	4,630	5,780	-	-	-	-	
KN045LA1-2	100	35	-	-	1,890	2,700	3,760	4,890	6,250	7,700	-	-	-	-	6.2
		45	-	-	-	1,990	3,000	4,040	5,200	6,420	-	-	-	-	

* Provisional Data

NULLARBOR PEAK CONDENSING UNITS

Technical Data

PRODUCT NUMBER	COMPRESSOR MODEL	CONDENSER FAN DATA			ELECTRICAL DATA				CONNECTIONS (MM)		SOUND POWER DB(A)
		NO. OF FANS	DIAMETER (mm)	AIRFLOW (l/s)	MCC	LRA	RLA	UNIT POWER	LIQUID	SUCTION	
KULTHORN KIRBY KA SERIES MHZ HERMETIC RECIPROCATING COMPRESSORS											
KN070MHA1-2	KA70MHZ-4C	1	450	1,050	12.70	53.20	8.30	3,050	12.70	22.22	79.5
KN080MHA1-2	KA80MHZ-4C	2	450	1,010	12.06	52.56	7.66	3,330	12.70	22.22	80.5
KN095MHA1-2	KA90MHZ-4C	2	450	2,130	19.40	79.40	11.39	3,855	12.70	28.57	80.6
KN110MHA1-2	KA100MHZ-4C	2	450	1,940	20.40	79.40	12.31	4,840	12.70	28.57	80.8
KN127MHA1-2	KA115MHZ-4C	2	450	2,190	20.90	79.40	13.40	5,600	12.70	28.57	80.6
KULTHORN KIRBY KA SERIES LZ HERMETIC RECIPROCATING COMPRESSORS											
KN030LA1-2	KA70LZ-4C	1	450	1,180	8.05	47.20	5.60	2,185	12.70	22.22	81.0
KN034LA1-2	KA80LZ-4C	1	450	1,180	8.47	47.20	6.00	2,590	12.70	22.22	82.0
KN040LA1-2	KA90LZ-4C	1	450	1,120	9.61	47.20	6.30	2,895	12.70	22.22	85.0
KN045LA1-2	KA100LZ-4C	1	450	1,120	9.72	47.20	6.70	3,195	12.70	22.22	83.0

NULLARBOR PEAK CONDENSING UNITS

Physical Data

PRODUCT NUMBER	DIMENSIONS (mm)			MOUNTING HOLE (mm)		WEIGHT (kg)	
	HEIGHT	WIDTH	DEPTH	A	B	NET	GROSS
KULTHORN KIRBY KA SERIES MHZ HERMETIC RECIPROCATING COMPRESSORS							
KN070MHA1-2	692	1,064	670	516	620	95	140
KN080MHA1-2	692	1,064	670	516	620	106	150
KN095MHA1-2	692	1,332	750	650	700	110	155
KN110MHA1-2	692	1,332	750	650	700	115	155
KN127MHA1-2	843	1,332	750	650	700	125	180
KULTHORN KIRBY KA SERIES LZ HERMETIC RECIPROCATING COMPRESSORS							
KN030LA1-2	692	1,064	670	516	620	90	135
KN034LA1-2	692	1,064	670	516	620	90	135
KN040LA1-2	692	1,064	670	516	620	95	140
KN045LA1-2	692	1,064	670	516	620	95	140

NULLARBOR PEAK CONDENSING UNITS

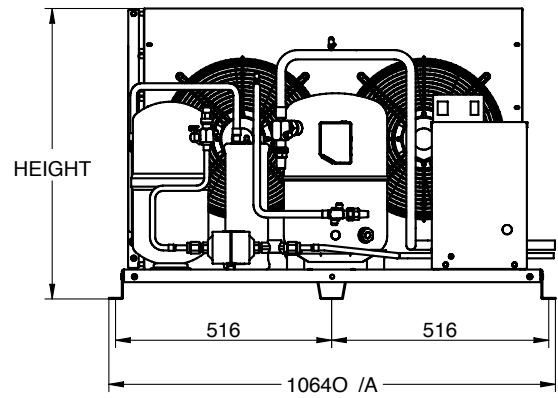
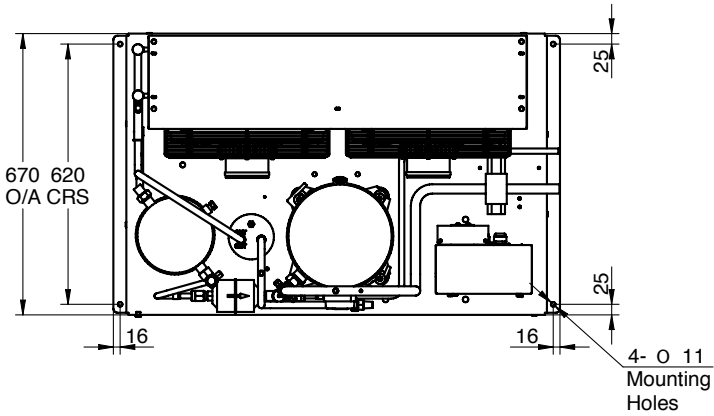
Optional Protective Covers

PRODUCT NUMBER	DIMENSIONS (mm)			MOUNTING HOLE (mm)		WEIGHT (kg)	
	HEIGHT	WIDTH	DEPTH	A	B	NET	GROSS
KULTHORN KIRBY KA SERIES MHZ HERMETIC RECIPROCATING COMPRESSORS							
KN070MHA1-2	692	1,064	670	516	620	95	140
KN080MHA1-2	692	1,064	670	516	620	106	150
KN095MHA1-2	692	1,332	750	650	700	110	155
KN110MHA1-2	692	1,332	750	650	700	115	155
KN127MHA1-2	843	1,332	750	650	700	125	180
KULTHORN KIRBY KA SERIES LZ HERMETIC RECIPROCATING COMPRESSORS							
KN030LA1-2	692	1,064	670	516	620	90	135
KN034LA1-2	692	1,064	670	516	620	90	135
KN040LA1-2	692	1,064	670	516	620	95	140
KN045LA1-2	692	1,064	670	516	620	95	140

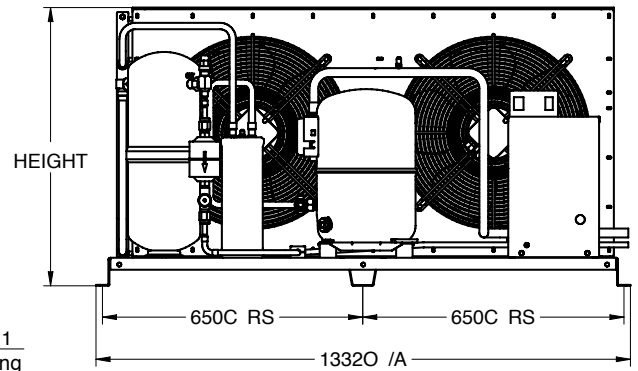
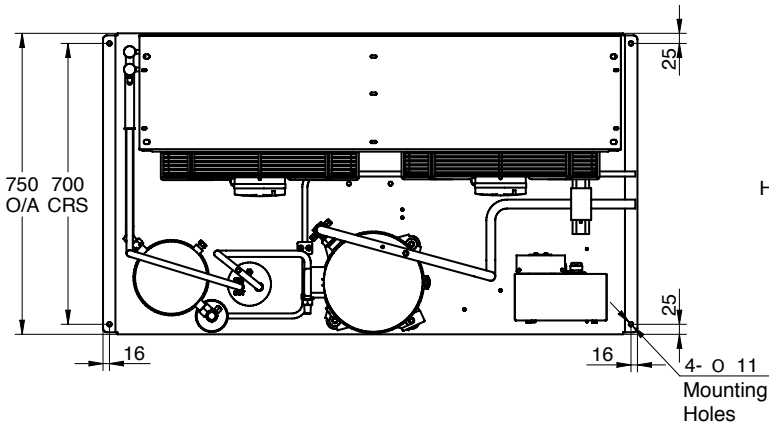
NULLARBOR PEAK CONDENSING UNITS

Physical Data

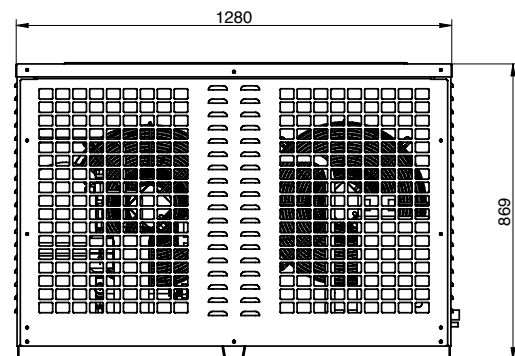
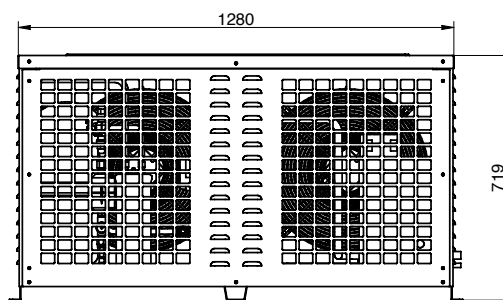
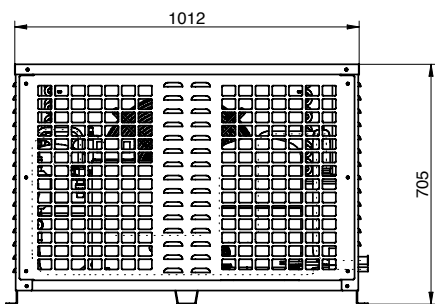
Base A



Base B



Optional Protective Covers





13 23 50
kirbyhvacr.com.au

Exclusively distributed by

KIRBY
A **BEIJER REF** Company

The contents of this brochure are copyright protected and may not be reproduced in any form without the written consent of Kirby HVAC&R Pty Ltd (T/A Kirby). Recommendations and advice regarding the use of the products described in this publication are to be taken as a guide only and are given without liability on the part of the company or its employees. As Kirby continually improves its product range and processes, Kirby reserves the right to change product specifications without any prior notification. Please refer to the kirbyhvacr.com.au website for the latest version of this publication. The purchaser should independently determine the suitability of the product for the intended use and application and that the product complies with relevant standards. Kirby accepts no responsibility for loss or damage (direct or indirect and including consequential loss, loss of profits or opportunity and economic loss) however arising which results from any errors or omissions in the information contained in this publication or arising from the use or application of the information contained herein.

Kirby HVAC&R Pty Ltd continually strives to improve products and processes. We reserve the right to modify product features without notice. Information is correct at time of printing.

© Copyright 2022 Kirby HVAC&R Pty Ltd
Information is correct at time of printing.