

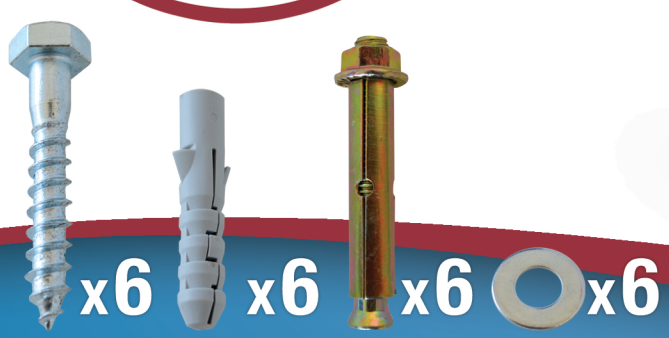


CANTILEVER BRACKET



Part No. VMCB
Can be purchased
seperately in
sets of 4

280mm



Pro Pipe cantilever bracket kits are Hot dipped galvanised with slotted channel to assist with drainage should water get into the channel.

Supplied complete with our uniquely designed rubber mount (4 pieces) for easy adjustment and reduced vibration. Once the nut is tightened the mount expands within the channel holding it firmly in place.

Available in 3 common sizes, the brackets are packed "ready to go" complete with either coach screws and plug or masonry bolts. You choose the best method to fix the bracket to the wall.

Part No.	Description	Weight	Stillage Qty
CB450	Cantilever 450mm	150kg	144
CB600	Cantilever 600mm	150kg	108
CB750	Cantilever 750mm	150kg	72



www.propipesupplies.com.au

*Purchase in stillage quantities and receive the stillage free (subject to availability)