

KIRBY® CXW Remote Condensers

Intersecting original design
and innovation technology to
deliver optimal performance

Exclusively distributed by

KIRBY
A BEIJER REF Company

KIRBY® CXW

Remote Condensers

Sleek design, strong performance

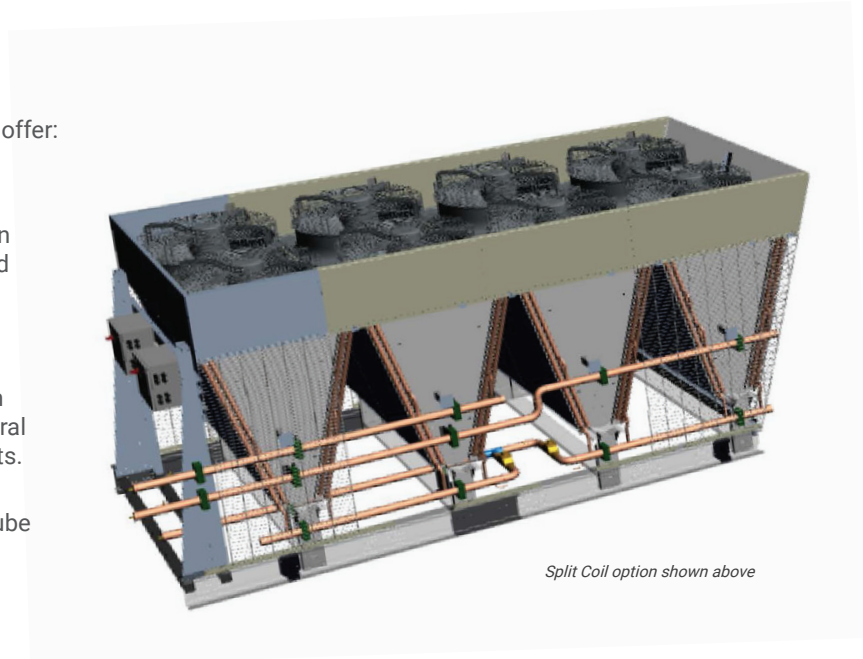
Intersecting original design and innovation technology, Kirby® CXW is the latest range of Kirby® air cooled remote condensers delivering a compact footprint and impressive all-round performance.

Thanks to its modular design and construction, Kirby® CXW is the perfect remote condenser choice for all direct expansion application projects.

Features & Benefits

The Kirby® CXW range of air-cooled remote condensers offer:

- Optimised footprint and various ventilation solutions for enhanced suitability in urban environments.
- Modular V-shape copper / aluminium coil construction for ease of installation and commissioning in confined spaces, even with different refrigerants.
- Unique sound wall and EC fan motors delivering up to 1- db(A) sound reduction in the horizontal plane.
- Premium construction featuring galvanised steel, with crisp white powdered polyester finish panels; and lateral anti-intrusive grilles to protect against external impacts.
- Superior fin coils, producing increased efficiency and charge reduction as a result of 3/8 rifle bore copper tube coils; while blue coated aluminium fins offer high corrosion resistance.
- User friendly removable coils allowing ease of access for maintenance or replacement.
- Split configuration options available upon request.



Split Coil option shown above

Kirby® CXW Remote Condensers – Nomenclature

CXW	2V	3R	S
Product Brand	V Block Coil	Coil Rows	Heat Reclaim
CXW Kirby CXW	2 2V Block	3R 3 Rows	S Split Coil Option
	3 3V Block	4R 4 Rows	
	4 4V Block		
	5 5V Block		
	6 6V Block		
	7 7V Block		

CXW REMOTE CONDENSERS

Performance Data

CAPACITY - AUS STD CONDITION (32°C AMB, 40°C COND, 0K S/C, 80°C DISCH GAS)									
PRODUCT NUMBER	R404A	R407F	R134a	R404A	R407F	R134a	R404A	R407F	R134a
	WATTS/K			WATTS/K			WATTS/K		
	MAX SPEED (1100 RPM)			680 RPM			440 RPM		
CXW-1V-3R	10,180	9,060	9,773	7,748	6,896	7,438	5,725	5,095	5,496
CXW-1V-4R	11,875	10,569	11,400	8,643	7,692	8,297	6,088	5,418	5,844
CXW-2V-3R	20,360	18,120	19,546	15,496	13,791	14,876	11,450	10,191	10,992
CXW-2V-4R	24,384	21,702	23,409	17,286	15,385	16,595	12,176	10,837	11,689
CXW-3V-3R	30,540	27,181	29,318	23,244	20,687	22,314	17,175	15,286	16,488
CXW-3V-4R	36,576	32,553	35,113	25,929	23,077	24,892	18,264	16,255	17,533
CXW-4V-3R	40,720	36,241	39,091	30,992	27,583	29,752	22,900	20,381	21,984
CXW-4V-4R	48,768	43,404	46,817	34,572	30,769	33,189	24,352	21,673	23,378
CXW-5V-4R	50,900	45,301	48,864	38,740	34,479	37,190	28,625	25,476	27,480
CXW-5V-4R	60,960	54,254	58,522	43,215	38,461	41,486	30,440	27,092	29,222
CXW-6V-3R	61,080	54,361	58,637	46,488	41,374	44,628	34,350	30,572	32,976
CXW-6V-4R	73,152	65,105	70,226	51,858	46,154	49,784	36,528	32,510	35,067
CXW-7V-3R	71,260	63,421	68,410	54,236	48,270	52,067	40,075	35,667	38,472
CXW-7V-4R	85,344	75,956	81,930	60,501	53,846	58,081	42,616	37,928	40,911

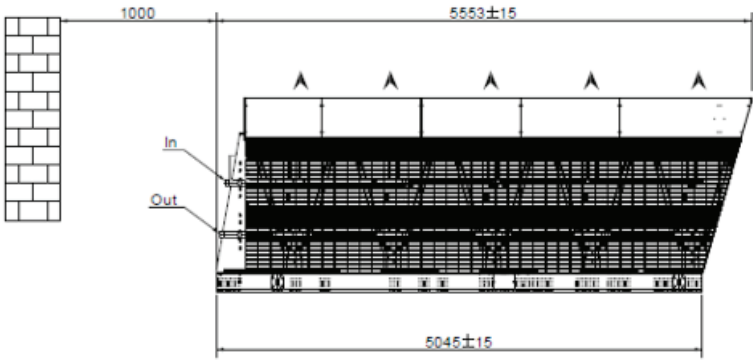
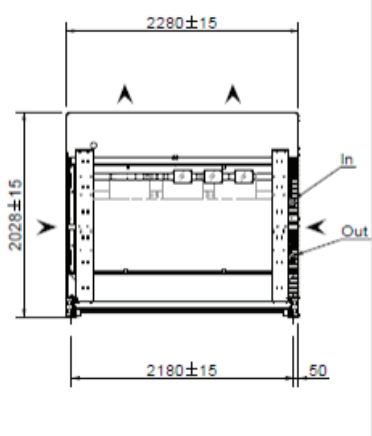
CXW REMOTE CONDENSERS

Physical Data

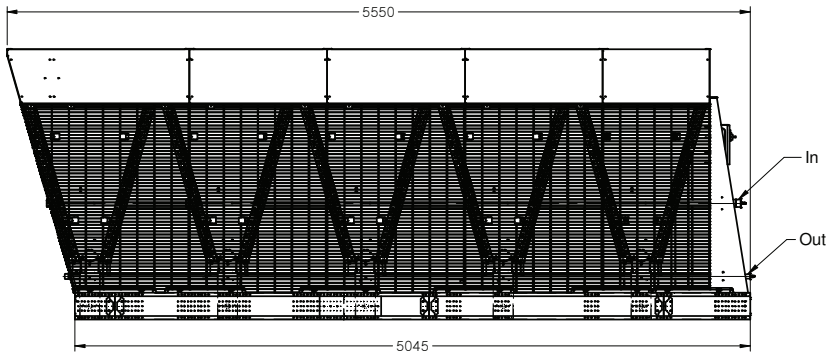
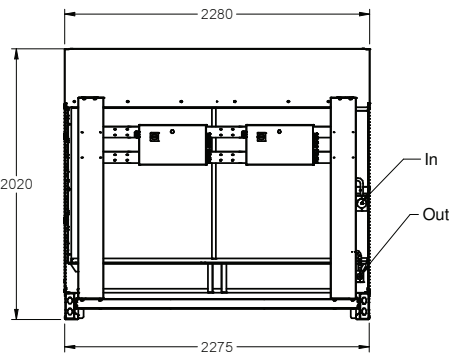
PRODUCT NUMBER	NUMBER OF FANS	WIDTH (mm)	HEIGHT (mm)	LENGTH (mm)	GAS INLET (inch)	LIQUID OUTLET (inch)	DRY WEIGHT (kg)
CXW-1V-3R	2	2,280	2,020	1,360	2-1/8"	2-1/8"	580
CXW-1V-4R	2	2,280	2,020	1,430	2-1/8"	2-1/8"	650
CXW-2V-3R	4	2,280	2,020	2,460	2-1/8"	2-1/8"	860
CXW-2V-4R	4	2,280	2,020	2,460	2-1/8"	2-1/8"	970
CXW-3V-3R	6	2,280	2,020	3,490	2-1/8"	2-1/8"	1140
CXW-3V-4R	6	2,280	2,020	3,490	2-1/8"	2-1/8"	1290
CXW-4V-3R	8	2,280	2,020	4,520	2-5/8"	2-5/8"	1420
CXW-4V-4R	8	2,280	2,020	4,520	2-5/8"	2-5/8"	1610
CXW-5V-3R	10	2,280	2,020	5,550	2-5/8"	2-5/8"	1700
CXW-5V-4R	10	2,280	2,020	5,550	2-5/8"	2-5/8"	1930
CXW-6V-3R	12	2,280	2,020	6,580	2-5/8"	2-5/8"	1980
CXW-6V-4R	12	2,280	2,020	6,580	2-5/8"	2-5/8"	2250
CXW-7V-3R	14	2,280	2,020	7,610	2-5/8"	2-5/8"	2260
CXW-7V-4R	14	2,280	2,020	7,610	2-5/8"	2-5/8"	2570

CXW REMOTE CONDENSERS

Physical Data



In = 2"1/8 - Out = 2"1/8 ; L' = 5045



Note: Images show unit with optional finger guard included

13 23 50
kirbyhvacr.com.au

Exclusively distributed by

KIRBY
 A BEIJER REF Company

The contents of this brochure are copyright protected and may not be reproduced in any form without the written consent of Kirby HVAC&R Pty Ltd (T/A Kirby). Recommendations and advice regarding the use of the products described in this publication are to be taken as a guide only and are given without liability on the part of the company or its employees. As Kirby continually improves its product range and processes, Kirby reserves the right to change product specifications without any prior notification. Please refer to the kirbyhvacr.com.au website for the latest version of this publication. The purchaser should independently determine the suitability of the product for the intended use and application and that the product complies with relevant standards. Kirby accepts no responsibility for loss or damage (direct or indirect and including consequential loss, loss of profits or opportunity and economic loss) however arising which results from any errors or omissions in the information contained in this publication or arising from the use or application of the information contained herein.

Kirby HVAC&R Pty Ltd continually strives to improve products and processes. We reserve the right to modify product features without notice. Information is correct at time of printing.

KIRBYCXW_1020