

ZX PFJ-462 Condensing Unit Wiring Diagram

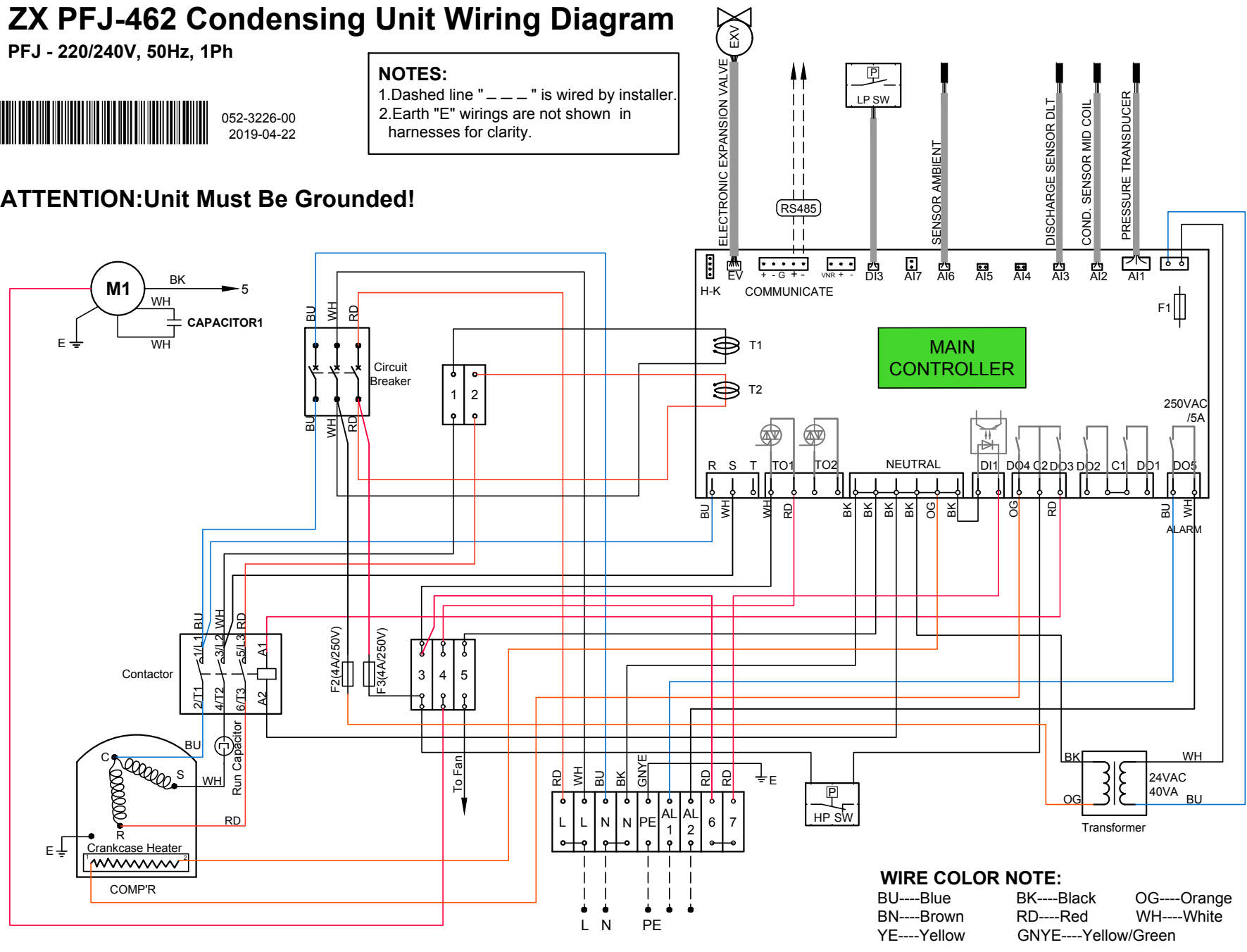
PFJ - 220/240V, 50Hz, 1Ph



052-3226-00
2019-04-22

NOTES:
1. Dashed line " _ _ _ " is wired by installer.
2. Earth "E" wirings are not shown in harnesses for clarity.

ATTENTION: Unit Must Be Grounded!



WIRE COLOR NOTE:
 BU---Blue BK---Black OG---Orange
 BN---Brown RD---Red WH---White
 YE---Yellow GNYE---Yellow/Green