

# Beck.

The adjustable  
differential pressure switches.





## Order matrix

Pressure ranges	20 to 200 Pascal (0.2 to 2.0 mbar)	<b>930.8</b>	<b>0</b>						
	20 to 300 Pascal (0.2 to 3.0 mbar)								<b>0B</b>
	30 to 400 Pascal (0.3 to 4.0 mbar)								<b>4</b>
	50 to 500 Pascal (0.5 to 5.0 mbar)								<b>3</b>
	200 to 1000 Pascal (2.0 to 10.0 mbar)								<b>5</b>
	100 to 1000 Pascal (1.0 to 10.0 mbar)								<b>5B</b>
	500 to 2500 Pascal (5.0 to 25.0 mbar)								<b>6</b>
	1000 to 4000 Pascal (10 to 40 mbar)								<b>7</b>
1000 to 5000 Pascal (10 to 50 mbar)	<b>7B</b>								
Switching contacts	gold-plated for low voltages, screw terminals enclosed							<b>1</b>	
	up to maximum 1.5 A (0.4) / 250 VAC, screw terminals enclosed							<b>2</b>	
	up to maximum 1.5 A (0.4) / 250 VAC with 6.3x0.8 mm flat plugs							<b>3</b>	
	gold-plated for low voltages with 6.3x0.8 mm flat plugs							<b>4</b>	
Fitting method	mounted directly without bracket							<b>2</b>	
Adjustment knob	scale in mbar							<b>1</b>	
	scale in Pascal							<b>2</b>	
	scale in Pascal and inWC							<b>3</b>	
IP protection category	IP 54 with cable conduit M20x1.5							<b>2</b>	
	IP 54 with cable conduit NPT1/2							<b>3</b>	
	IP 00 without cover							<b>4</b>	
	IP 54 with cap nut conduit AF20							<b>5</b>	
Packaging	bulk packed, 45 pcs. per carton							<b>1</b>	
	bulk packed, folding boxes included							<b>2</b>	
	individually boxed							<b>3</b>	
Accessories	without accessories							<b>1</b>	
	with S-shaped metal mounting bracket 6402							<b>2</b>	
	with L-shaped metal mounting bracket 6401							<b>3</b>	
	with Climaset® 6555							<b>4</b>	
	with Climaset® 6550							<b>5</b>	
	with S-shaped metal mounting bracket 6402 and Climaset® 6555							<b>6</b>	
	with S-shaped metal mounting bracket 6402 and Climaset® 6550							<b>7</b>	
	with L-shaped metal mounting bracket 6401 and Climaset® 6555							<b>8</b>	
	with L-shaped metal mounting bracket 6401 and Climaset® 6550							<b>9</b>	
	with S-shaped snap-on plastic bracket 6482							<b>A</b>	
	with L-shaped snap-on plastic bracket 6481							<b>B</b>	
	with S-shaped snap-on plastic bracket 6482 and Climaset® 6555							<b>C</b>	
	with S-shaped snap-on plastic bracket 6482 and Climaset® 6550							<b>D</b>	
	with L-shaped snap-on plastic bracket 6481 and Climaset® 6555							<b>E</b>	
with L-shaped snap-on plastic bracket 6481 and Climaset® 6550							<b>F</b>		

## Accessories

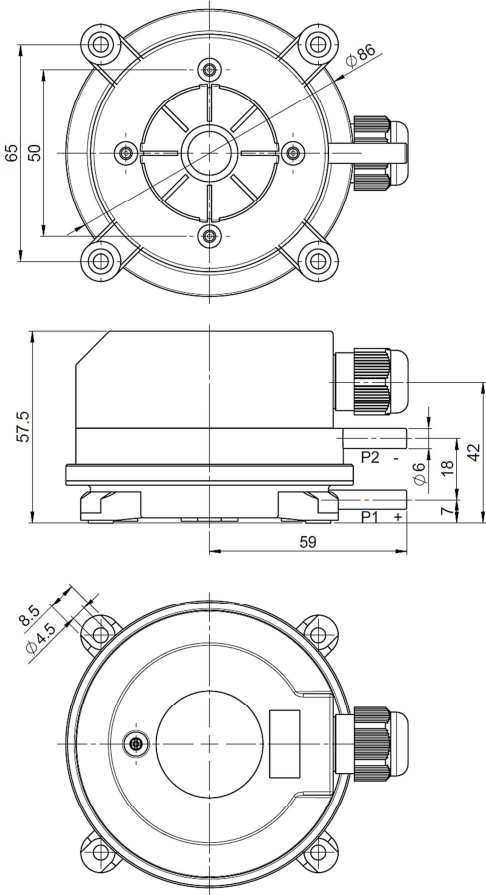
Metal mounting bracket S-shaped	Article No. 6402
Metal mounting bracket, L-shaped	Article No. 6401
Snap-on plastic bracket, S-shaped	Article No. 6482
Snap-on plastic bracket, L-shaped	Article No. 6481
Climaset® consisting of 2 m PVC hose and two plastic tubes	Article No. 6555
Climaset® consisting of 2 m silicone hose and two plastic tubes	Article No. 6557
Climaset® consisting of 2 m PVC hose and two angled metal pipes	Article No. 6550
Climaset® consisting of 2 m silicone hose and two angled metal pipes	Article No. 6556
Set consisting of three push-on screw terminals, bagged	Article No. 6415
Plastic tube for Climaset® 6555	Article No. 6551
Angled metal pipe for Climaset® 6550	Article No. 6552
Rubber grommet for Climaset® 6550	Article No. 6553
Roll with 100 m PVC hose	Article No. 6424
Roll with 100 m silicone hose	Article No. 6425
Cap nut conduit AF20 with integrated cable strain relief	Article No. 6562
M20x1.5 cable conduit including sealing and counter screw	Article No. 6568
Cardbox for single packing for 930.8x Climair® small	Article No. 6428
Cardbox for single packing for 930.8x Climair® large	Article No. 6429

# Differential pressure switches

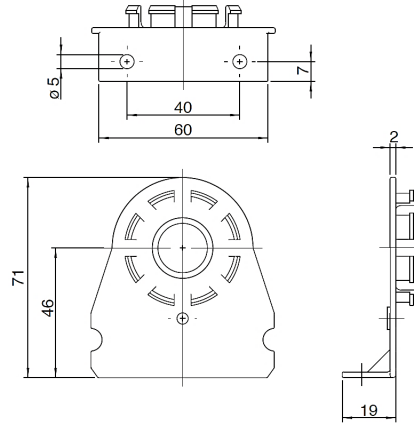
## 930.8x Climair®

with adjustable switching pressure

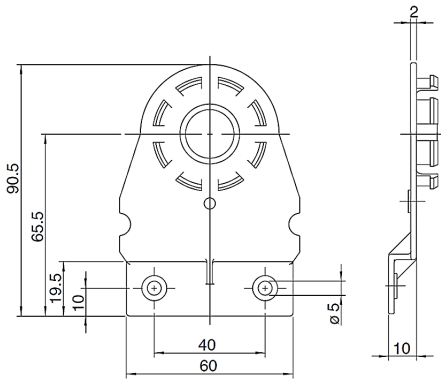
**930.8x Climair®**



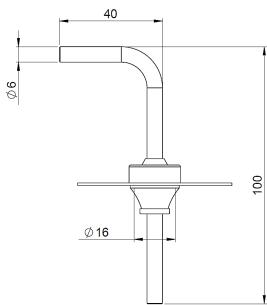
**Mounting bracket 6481**



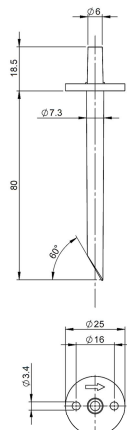
**Mounting bracket 648**



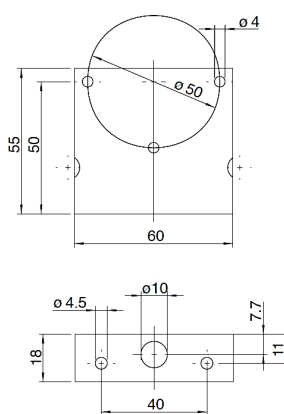
**Climaset®  
6550/6556**



**Climaset®  
6555/6557**



**Mounting bracket 6401**



**Mounting bracket 6402**

